

Product Tips and Features

Bar Manifolds

1. Standard materials are Aluminum and Ductile Iron. Other materials including Mild Steel or Stainless Steel are optionally available.
2. Special Finishes including Black Oxide, Electroless Nickel Plating or Anodizing are optionally available.
3. Internal galleries are equal to or greater than the nominal port connection in order to minimize pressure drops and fluid velocities.
4. Port spacing and edge distance is maximized in order to ensure easier installation and servicing. This wider spacing requires larger or different cross-sections than typically found on some models.
5. P to T Relief cavities in Sun and Common Cavity form are standard options, while the ISO and other types are non-standard options.
6. No variation in the design layout for each Model regardless of Port Code.
7. Manifolds with Flange Ports are available with UNC mounting threads and SAE Ports or with Metric mounting threads and Metric Ports as standard.
8. UNC or Metric Mounting Bracket Kits are Standard. Four-Bolt Mounting Option for vertically mounting D03 and D05 Standard Flow Parallel Manifolds to the reservoir top and improved performance is available.
9. Common Drain Ports where offered are supplied on both ends of the manifolds for ease of installation and connecting a series of manifolds without the need of tees or elbows.
10. Independent Pilot Pressure Ports are standard options. Common Pilot Pressure Ports are available as a Standard Option for D05H(E) High Flow and Very High Flow Manifolds and as a Non-Standard Option for D07, D08 and D10 Manifolds.
11. Dual Tank Ports on the interface of all D05H and D05HE High Flow and Very High Flow Manifolds with X & Y ensures maximum valve performance unlike many competitor products.
12. Pilot Port adapters for any D05 manifold ease the installation of any D05H and D05HE Two-Stage valves. Only order the number of stations required. Please note these adapters are best suited on the ends of the manifold.
13. "P" and "T" port isolations are available for manifolds up to 10 stations. A second gauge port is provided with "P" port isolations when possible. See chart on Page 1.00.02 for coding option.

WE RESERVE THE RIGHT TO DISCONTINUE MODELS, OR CHANGE SPECIFICATIONS WITHOUT NOTICE OR INCURRING OBLIGATION

Lynch Products Can Be Modified to Suit Your Application

Phone: 1 (888) 626-4365 or +1 (905) 363-2400 Fax: 1 (800) 263-5807 www.lynch.ca sales@lynch.ca

Product Tips and Features

Bar Manifolds

ISOLATION PORT CODES

When isolations are required in the pressure or tank ports for any Bar Manifold, the final two letters in the part number need to be modified as per the chart below. The second last character identifies the pressure port isolation and the last character identifies the tank port isolations.

For Example: "P" Port Code = ↓|↓ = "T" Port Code

- BA03GPS04SDUAAA** is a Four Station Standard Flow D03 Parallel Circuit Manifold with SAE Ports, no isolations and no Relief Cavity
- BA03GPS04SDUCAAA** is as 1) with the Sun T-10A Relief Cavity Option
- BA03GPS04SDUCACA** is as 2) with Pressure Port Isolation only between Stations 2 & 3 of this Four Station Manifold. The Relief Cavity is left of the isolation as viewed from the A & B working ports.
- BA03GPS04SDUCATT** is as 2) with Pressure and Tank Port Isolations between Stations 3 & 4, and Two Sun T-10A Relief Cavities, one on each side of the isolations.
- BA03GPS04SDUAACB** is as 1) with Pressure Port Isolation between Stations 2 & 3 and Tank Port Isolation between Stations 1 & 2.

Isolation Location	CODE	Relief Location	CODE	Relief Location	CODE	Relief Location
None	A	Standard				
01 - 02	B	Left or None	J	Right	R	Both Sides
02 - 03	C	Left or None	K	Right	S	Both Sides
03 - 04	D	Left or None	L	Right	T	Both Sides
04 - 05	E	Left or None	M	Right	U	Both Sides
05 - 06	F	Left or None	N	Right	V	Both Sides
06 - 07	G	Left or None	O	Right	W	Both Sides
07 - 08	H	Left or None	P	Right	X	Both Sides
08 - 09	I	Left or None	Q	Right	Y	Both Sides
09 - 10	2	Left or None	5	Right	Z	Both Sides
10 - 11	3	Left or None	6	Right	8	Both Sides
11 - 12	4	Left or None	7	Right	9	Both Sides

Note: All Part Number combinations may not be possible.
Please consult the factory to confirm your application requirements.

WE RESERVE THE RIGHT TO DISCONTINUE MODELS, OR CHANGE SPECIFICATIONS WITHOUT NOTICE OR INCURRING OBLIGATION

Lynch Products Can Be Modified to Suit Your Application

Phone: 1 (888) 626-4365 or +1 (905) 363-2400 Fax: 1 (800) 263-5807 www.lynch.ca sales@lynch.ca

Product Tips and Features

Bar Manifolds

NON-STANDARD OPTIONS & ACCESSORIES

1. Some single station manifolds are too narrow to accommodate a gauge port. If a gauge port is required, please request the wide spacing option.
For Example: BA03GPT01SDUAAAA is an aluminum D03 single station manifold with gauge port.
2. Some applications require smaller work ports than the standard model. Many bar manifolds can be supplied with work ports one size smaller than the standard shown in the catalog.
For Example: BA03GPS03SCUAAAA is an aluminum D03 three station manifold with SAE 6 A & B ports and all other ports per the standard option. Contact the Factory for model numbers available.
3. Custom modifications include gauge ports opposite all work ports. Contact the Factory for model numbers available.
4. Special manifolds with dual work ports are available. Contact the Factory for model numbers available.
5. Contact the Factory for part numbers of D07, D08 and D10 Bar Manifolds with over-sized interface ports to match many high-performance proportional valves.
6. Most manifolds can be supplied with a 4 or 6 bolt mounting on the ends for vertical installations or tank top mounting. Contact the Factory for models and mounting adapters available.
7. D05 High Flow and Very High Flow Bar Manifolds are available with the “L” port option. Contact the Factory for Part numbers.
8. Two station valve adapters for two-speed function are standard products in D03 thru D08 sizes. Contact the Factory for model numbers available. Please refer to Section 10 for the LYNCH standard sandwich modules “RM series” that eliminate the need for a second station, flow control and solenoid valve. These modules are available on P, A, B or T in M/I or M/O options for D03 thru D08.
9. Many manifold series can be supplied in an all-metric format. This series uses materials with standard metric cross-sections and all critical spacing on standard metric dimensions.

WE RESERVE THE RIGHT TO DISCONTINUE MODELS, OR CHANGE SPECIFICATIONS WITHOUT NOTICE OR INCURRING OBLIGATION

Lynch Products Can Be Modified to Suit Your Application

Phone: 1 (888) 626-4365 or + 1 (905) 363-2400 Fax: 1 (800) 263-5807 www.lynch.ca sales@lynch.ca

Index

Bar Manifolds

D02 Standard Flow Parallel Circuit	1.01.01
D02 Standard Flow Series Circuit	1.01.02
D03 Standard Flow Parallel Circuit	1.02.01
D03 Standard Flow Parallel Circuit - 4 Bolt.....	1.02.02
D03 High Flow Parallel Circuit	1.02.03
D03 Very High Flow Parallel Circuit - SAE Flange Ports	1.02.04
D03 Standard Flow Series Circuit	1.02.05
D03 Standard Flow Bottom Ported Parallel Circuit Manifold.....	1.02.06
D03 High Flow Bottom Ported Parallel Circuit Manifold.....	1.02.07
D05 Standard Flow Parallel Circuit	1.03.01
D05 High Flow Parallel Circuit	1.03.02
D05H High Flow Parallel Circuit with X & Y Ports	1.03.03
D05HE High Flow Parallel Circuit with X & Y Ports.....	1.03.04
D05/H/HE High Flow Parallel Circuit - SAE Flange Ports.....	1.03.05
D05 Very High Flow Parallel Circuit	1.03.06
D05H Very High Flow Parallel Circuit with X & Y Ports	1.03.07
D05HE Very High Flow Parallel Circuit with X & Y Ports.....	1.03.08
D05 Standard Flow Series Circuit	1.03.09
D05 High Flow Series Circuit	1.03.10
D05H Pilot Port Adapter For Bar Manifolds	1.03.11
D05HE Pilot Port Adapter For Bar Manifolds.....	1.03.12
Optimized Construction Using D05 Pilot Port Adapters.....	1.03.13
D05 Standard Flow Bottom Ported Parallel Circuit Manifold.....	1.03.14
D05 High Flow Bottom Ported Parallel Circuit Manifold.....	1.03.15
D07 Standard Flow Parallel Circuit	1.04.01
D07 High Flow Parallel Circuit	1.04.02
D07 High Flow Parallel Circuit - SAE Flange Ports	1.04.03
D07 Standard Flow Series Circuit	1.04.04
D08 Standard Flow Parallel Circuit	1.05.01
D08 High Flow Parallel Circuit	1.05.02
D08 Very High Flow Parallel Circuit - SAE Flange Ports	1.05.03
D08 Standard Flow Series Circuit	1.05.04
D10 High Flow Parallel Circuit - SAE Flange Ports	1.06.01
Back Ported and Oversized Ports	Consult Factory
Relief Valves.....	1.99.01
DIN Connectors and Cables	1.99.02

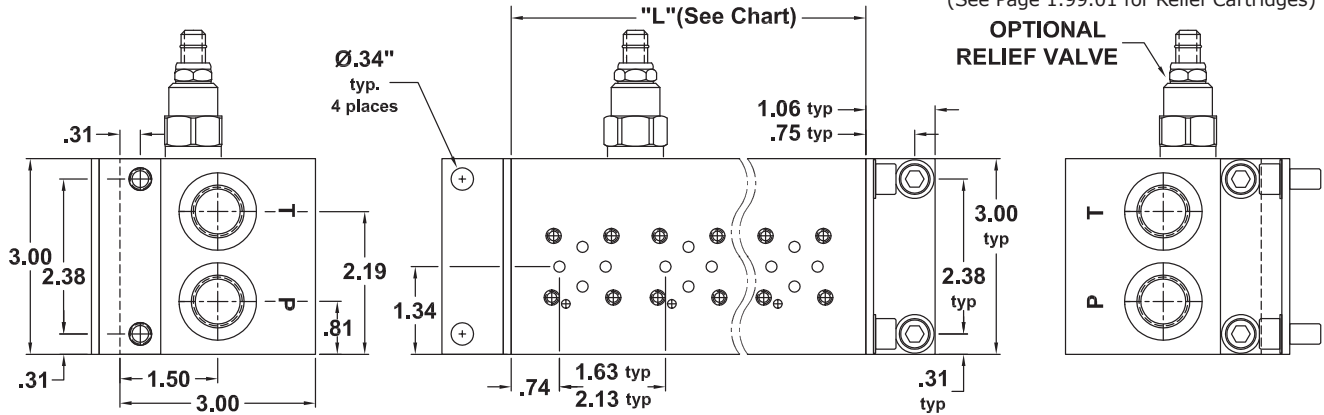
WE RESERVE THE RIGHT TO DISCONTINUE MODELS, OR CHANGE SPECIFICATIONS WITHOUT NOTICE OR INCURRING OBLIGATION

Lynch Products Can Be Modified to Suit Your Application

Phone: 1 (888) 626-4365 or +1 (905) 363-2400 Fax: 1 (800) 263-5807 www.lynch.ca sales@lynch.ca

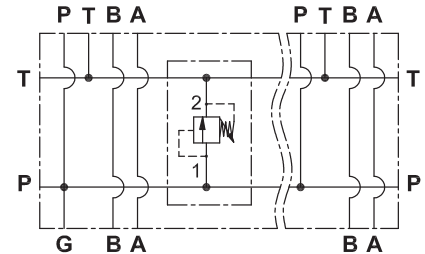
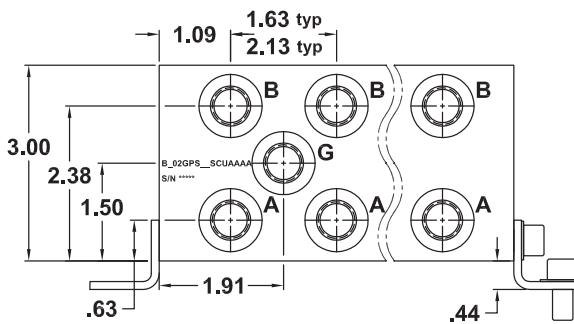
D02 Standard Flow Parallel Circuit Manifold

(See Page 1.99.01 for Relief Cartridges)



UNC Mounting KIT includes:
8 -5/16"-18 x .625"SHCS
8 -ITL Washers
2 -Brackets

Metric Mounting KIT includes:
8 -M8x1.25 x 16mm SHCS
8 -ITL Washers
2 -Brackets



**PARALLEL CIRCUIT WITH
OPTIONAL RELIEF VALVE SHOWN**

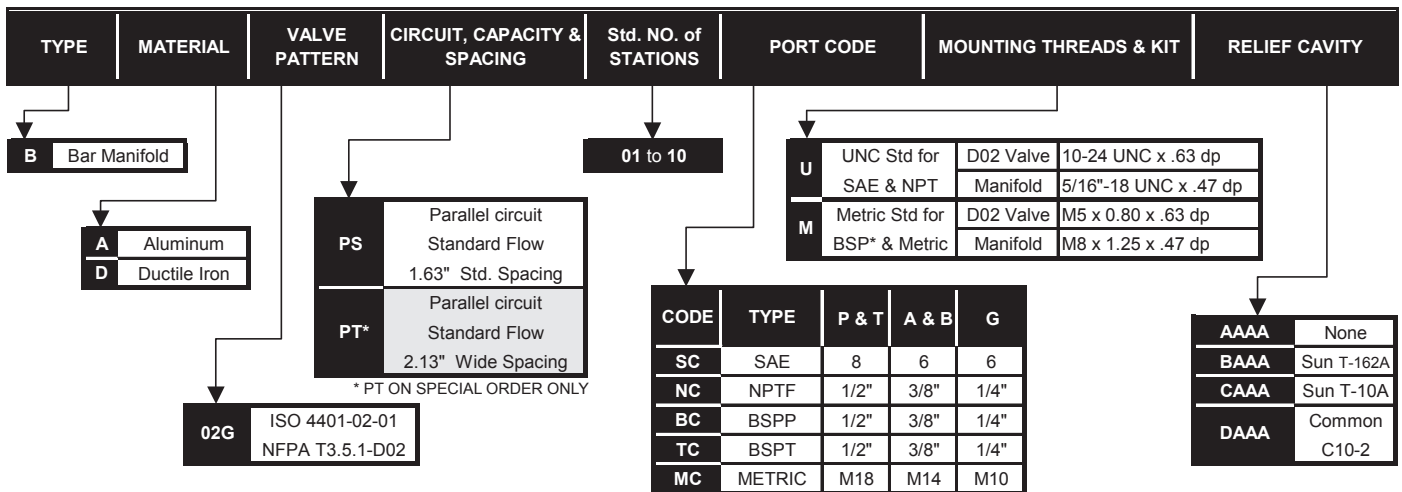
No. of Stations	1	1*	2	3	4	5	6	7	8	9	10	11	12	13	14	15	16
Dim. "L", 1.63" spacing	2.19	3.13	3.81	5.44	7.06	8.69	10.31	11.94	13.56	15.19	16.81	18.44	20.06	21.69	23.31	24.94	26.56
est. weight in lb.- alum	3	4	4	5	7	8	9	11	12	13	15	16	17	19	20	21	23
est. weight in lb.- iron	6	8	9	13	16	20	24	27	31	34	38	41	45	48	52	56	59
Dim. "L", 2.13" spacing	-	-	4.31	6.44	8.56	10.69	12.81	14.94	17.06	19.19	21.31	23.44	25.56	27.69	29.81	31.94	34.06
est. weight in lb.- alum	-	-	4	6	8	10	11	13	15	17	18	20	22	23	25	27	29
est. weight in lb.- iron	-	-	10	15	20	24	29	34	38	43	48	52	57	62	66	71	75

* DIMENSIONS FOR 1 STATION WITH RELIEF CAVITY & GAUGE PORT
NO GAUGE PORT SUPPLIED WITH SINGLE STATION MANIFOLD

SHADED AREA AVAILABLE ON SPECIAL ORDER ONLY

PART NUMBER SYSTEM

Aluminum D02 with 1.63" Spacing & SAE Porting example: **BA02GPS**SCUAAAA**



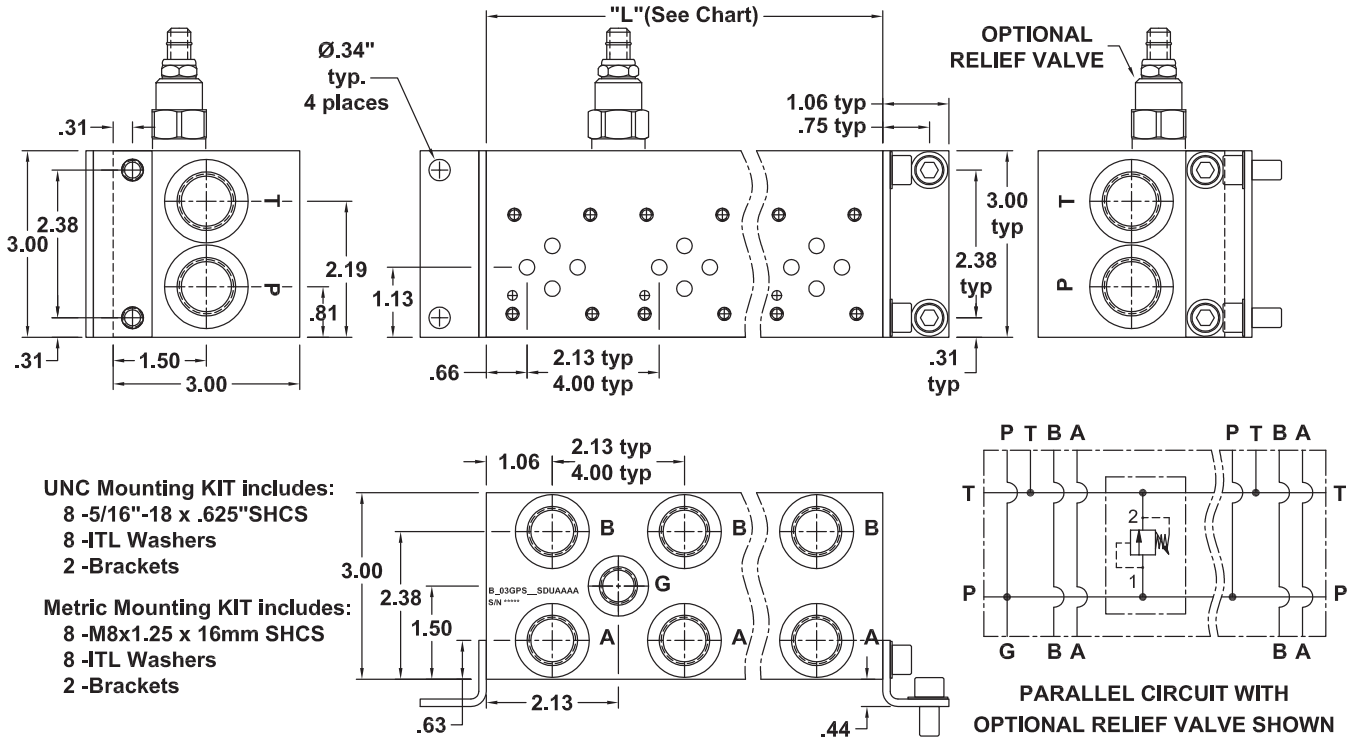
WE RESERVE THE RIGHT TO DISCONTINUE MODELS, OR CHANGE SPECIFICATIONS WITHOUT NOTICE OR INCURRING OBLIGATION

Lynch Products Can Be Modified to Suit Your Application

Phone: 1 (888) 626-4365 or +1 (905) 363-2400 Fax: 1 (800) 263-5807 www.lynch.ca sales@lynch.ca

D03 Standard Flow Parallel Circuit Manifold

(See Page 1.99.01 for Relief Cartridges)

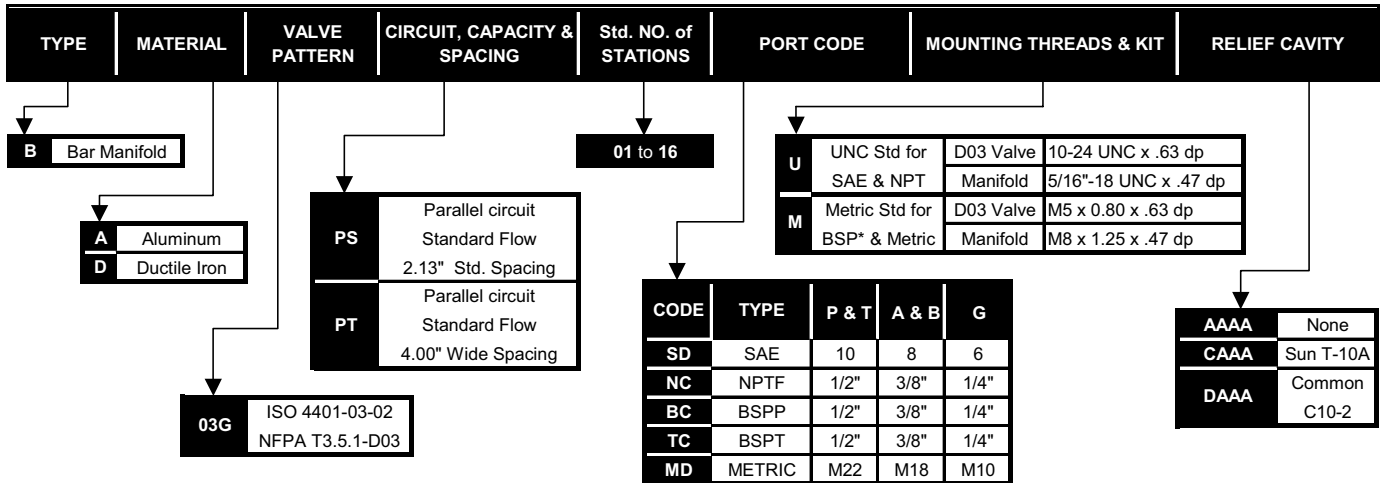


No. of Stations	1	1*	2	3	4	5	6	7	8	9	10	11	12	13	14	15	16
Dim. "L", 2.13" spacing	2.13	3.25	4.25	6.38	8.50	10.63	12.75	14.88	17.00	19.13	21.25	23.38	25.50	27.63	29.75	31.88	34.00
est. weight in lb.- alum	3	4	4	6	8	9	11	12	14	16	18	20	21	22	24	26	27
est. weight in lb.- iron	5	7	9	13	17	21	26	30	34	38	42	47	51	55	59	63	68
Dim. "L", 4.00" spacing	-	-	6.13	10.13	14.13	18.13	22.13	26.13	30.13	34.13	38.13	-	-	-	-	-	-
est. weight in lb.- alum	-	-	6	9	12	15	19	22	25	28	32	-	-	-	-	-	-
est. weight in lb.- iron	-	-	12	20	28	36	45	53	61	69	78	-	-	-	-	-	-

* DIMENSIONS FOR 1 STATION WITH RELIEF CAVITY & GAUGE PORT
NO GAUGE PORT SUPPLIED WITH SINGLE STATION MANIFOLD
SHADED AREA AVAILABLE ON SPECIAL ORDER ONLY

PART NUMBER SYSTEM

Aluminum D03 with 2.13" Spacing & SAE Porting example: BA03GPS**SDUAAAA



WE RESERVE THE RIGHT TO DISCONTINUE MODELS, OR CHANGE SPECIFICATIONS WITHOUT NOTICE OR INCURRING OBLIGATION

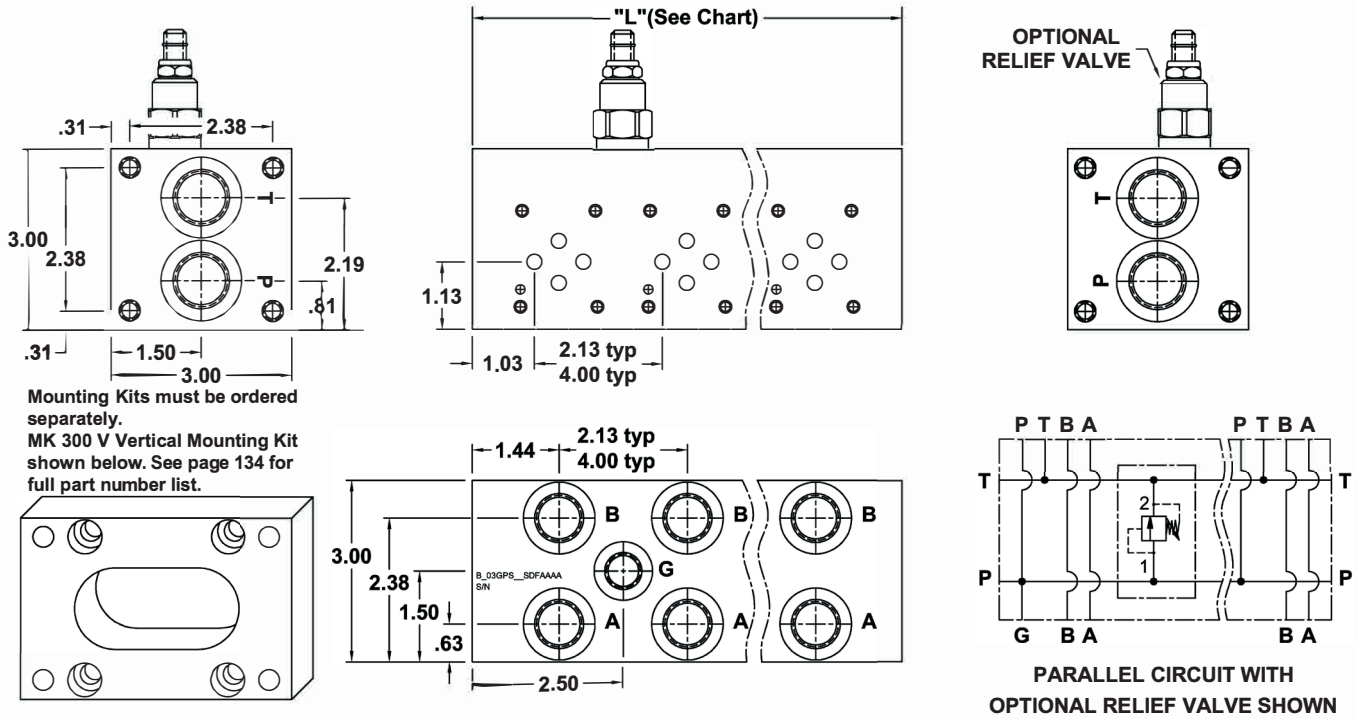
Lynch Products Can Be Modified to Suit Your Application

Phone: 1 (888) 626-4365 or +1 (905) 363-2400 Fax: 1 (800) 263-5807 www.lynch.ca sales@lynch.ca

D03 Std Flow Parallel Circuit Manifold (4 Bolt)

Note: Extra length ensures P & T galleries from interface are not obstructed by the end port fittings

(See Page 1.99.01 for Relief Cartridges)



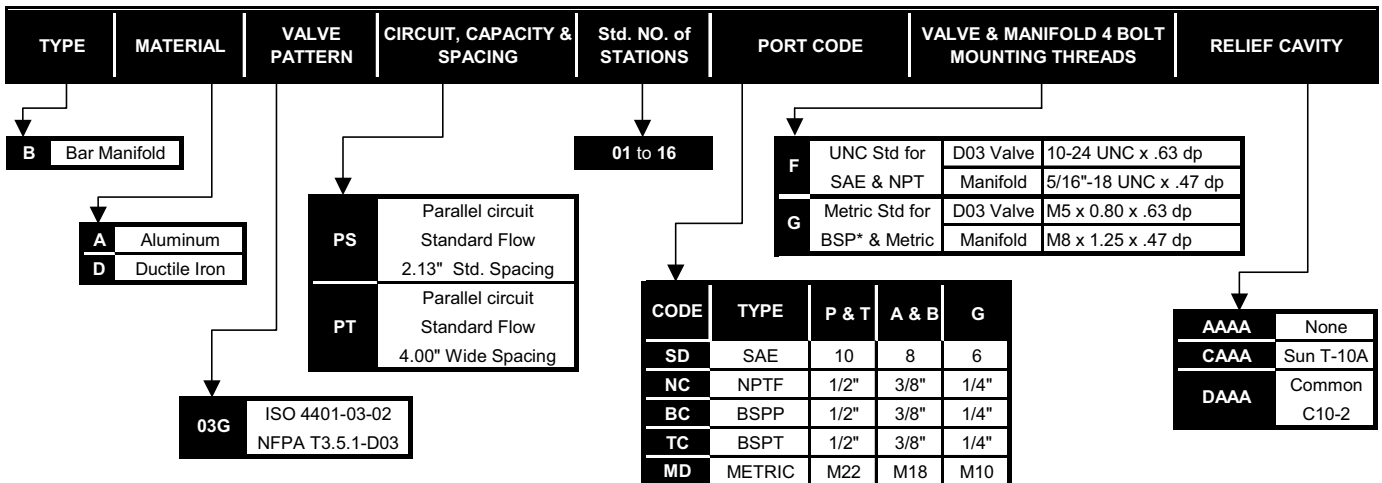
No. of Stations	1	1*	2	3	4	5	6	7	8	9	10	11	12	13	14	15	16
Dim. "L", 2.13" spacing	2.88	3.63	5.00	7.13	9.25	11.38	13.50	15.63	17.75	19.88	22.00	24.13	26.25	28.38	30.50	32.63	34.75
est. weight in lb.- alum	3	4	5	7	8	10	12	13	15	17	19	20	22	24	25	27	29
est. weight in lb.- iron	7	8	11	15	19	24	28	32	37	41	45	49	54	58	62	67	71
Dim. "L", 4.00" spacing	-	-	6.88	10.88	14.88	18.88	22.88	26.88	30.88	34.88	38.88	-	-	-	-	-	-
est. weight in lb.- alum	-	-	6	10	13	16	19	23	26	29	32	-	-	-	-	-	-
est. weight in lb.- iron	-	-	15	23	31	39	47	55	63	71	79	-	-	-	-	-	-

* DIMENSIONS FOR 1 STATION WITH RELIEF CAVITY & GAUGE PORT
NO GAUGE PORT SUPPLIED WITH SINGLE STATION MANIFOLD

SHADED AREA AVAILABLE ON SPECIAL ORDER ONLY

PART NUMBER SYSTEM

Aluminum D03 with 2.13" Spacing & SAE Porting example: BA03GPS**SDFAAAA



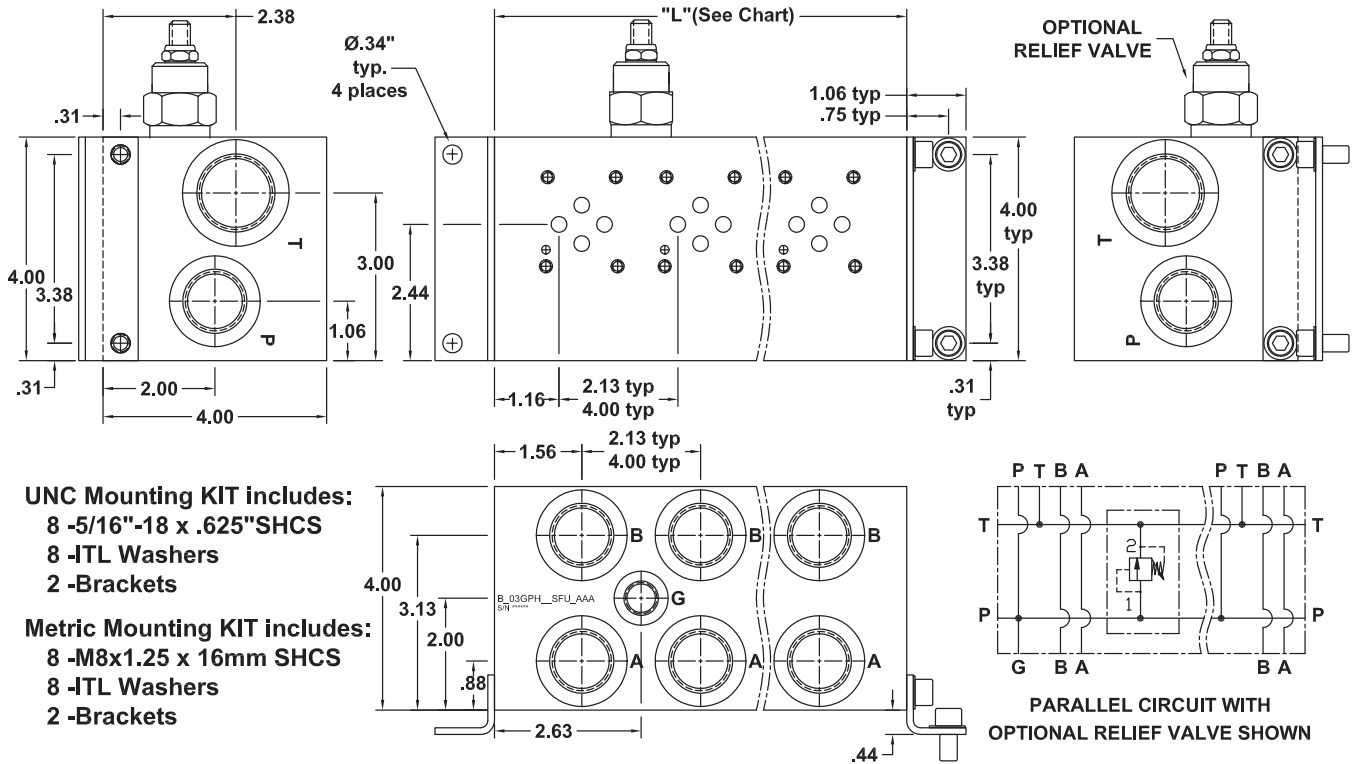
WE RESERVE THE RIGHT TO DISCONTINUE MODELS, OR CHANGE SPECIFICATIONS WITHOUT NOTICE OR INCURRING OBLIGATION

Lynch Products Can Be Modified to Suit Your Application

Phone: 1 (888) 626-4365 or +1 (905) 363-2400 Fax: 1 (800) 263-5807 www.lynch.ca sales@lynch.ca

D03 High Flow Parallel Circuit Manifold

(See Page 1.99.01 for Relief Cartridges)



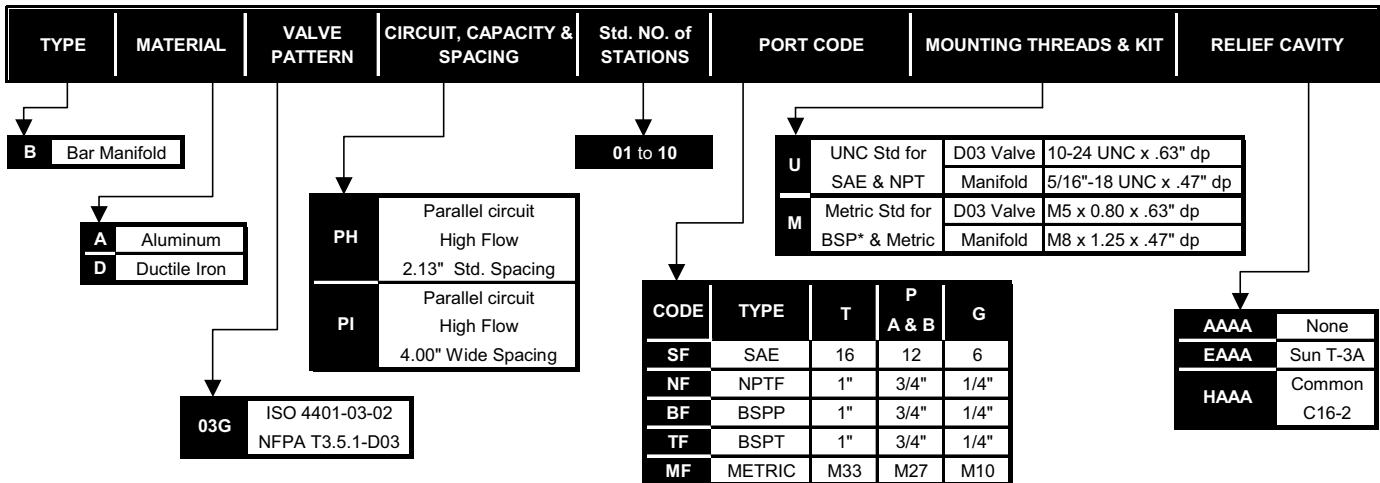
- UNC Mounting KIT includes:**
 8 -5/16"-18 x .625"SHCS
 8 -ITL Washers
 2 -Brackets
- Metric Mounting KIT includes:**
 8 -M8x1.25 x 16mm SHCS
 8 -ITL Washers
 2 -Brackets

No. of Stations	1	1*	2	3	4	5	6	7	8	9	10	11	12	13	14	15	16
Dim. "L", 2.13" spacing	3.13	4.25	5.25	7.38	9.50	11.63	13.75	15.88	18.00	20.13	22.25	24.38	26.50	28.63	30.75	32.88	35.00
est. weight in lb.- alum	5	7	8	11	14	17	21	24	27	30	33	36	39	42	45	48	51
est. weight in lb.- iron	13	17	21	29	38	46	54	62	71	79	87	96	104	112	120	129	137
Dim. "L", 4.00" spacing	-	-	7.13	11.13	15.13	19.13	23.13	27.13	31.13	35.13	39.13	-	-	-	-	-	-
est. weight in lb.- alum	-	-	11	17	23	28	34	40	46	51	57	-	-	-	-	-	-
est. weight in lb.- iron	-	-	28	44	60	75	91	106	122	137	153	-	-	-	-	-	-

* DIMENSIONS FOR 1 STATION WITH RELIEF CAVITY & GAUGE PORT
 NO GAUGE PORT SUPPLIED WITH SINGLE STATION MANIFOLD
 SHADED AREA AVAILABLE ON SPECIAL ORDER ONLY

PART NUMBER SYSTEM

Aluminum D03 with 2.13" Spacing & SAE Porting example: **BA03GPH**SFUAAAA**

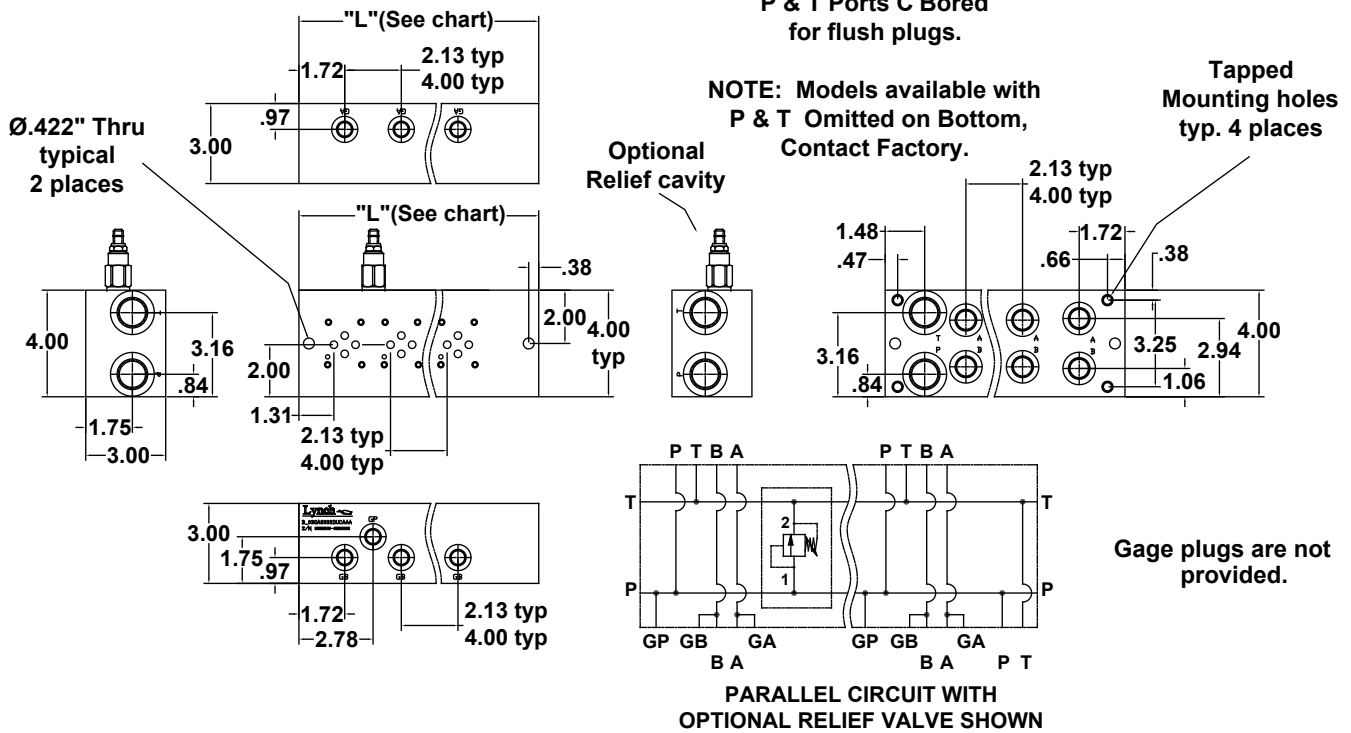


WE RESERVE THE RIGHT TO DISCONTINUE MODELS, OR CHANGE SPECIFICATIONS WITHOUT NOTICE OR INCURRING OBLIGATION

Lynch Products Can Be Modified to Suit Your Application

Phone: 1 (888) 626-4365 or +1 (905) 363-2400 Fax: 1 (800) 263-5807 www.lynch.ca sales@lynch.ca

D03 Standard Flow Bottom Ported Parallel Circuit Manifold

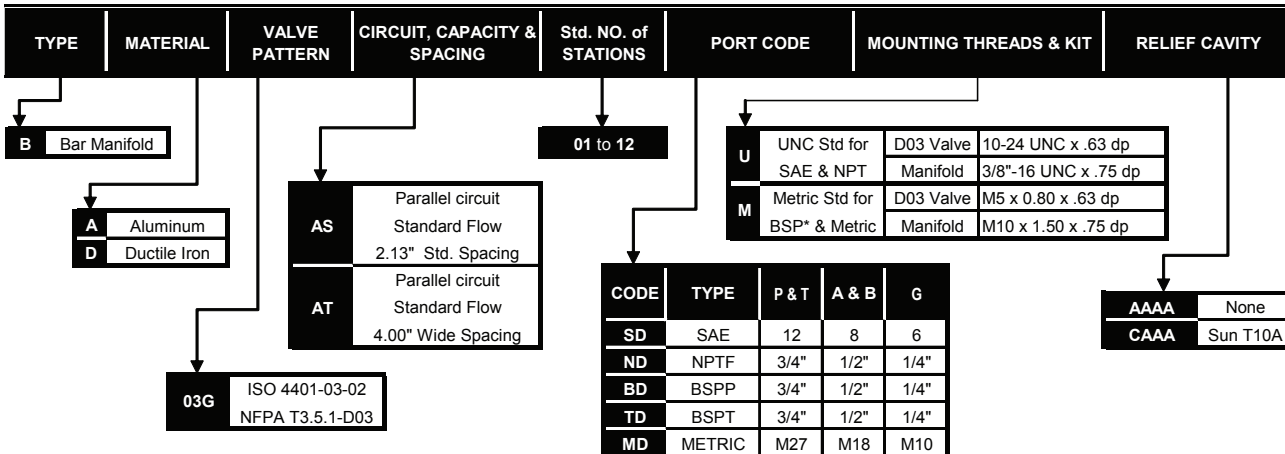


No. of Stations	1	1*	2	3	4	5	6	7	8	9	10	11	12
Dim. "L", 2.125" spacing	4.75	5.25	6.88	9.00	11.13	13.25	15.38	17.50	19.63	21.75	23.88	26.00	28.13
est. weight in lb.- alum	9	10	13	17	21	25	28	32	36	40	44	48	51
est. weight in lb.- iron	24	27	34	44	55	65	75	86	96	106	117	127	137
Dim. "L", 4.00" spacing	-	-	8.75	12.75	16.75	20.75	24.75	28.75	-	-	-	-	-
est. weight in lb.- alum	-	-	17	24	31	38	45	53	-	-	-	-	-
est. weight in lb.- iron	-	-	43	63	82	102	121	140	-	-	-	-	-

* DIMENSIONS FOR 1 STATION WITH RELIEF CAVITY & GAUGE PORT
 NO GAUGE PORT SUPPLIED WITH SINGLE STATION MANIFOLD SHADED AREA AVAILABLE ON SPECIAL ORDER ONLY

PART NUMBER SYSTEM

Aluminum D03 with 2.125" Spacing & SAE Porting example: **BA03GAS**SDUAAAA**

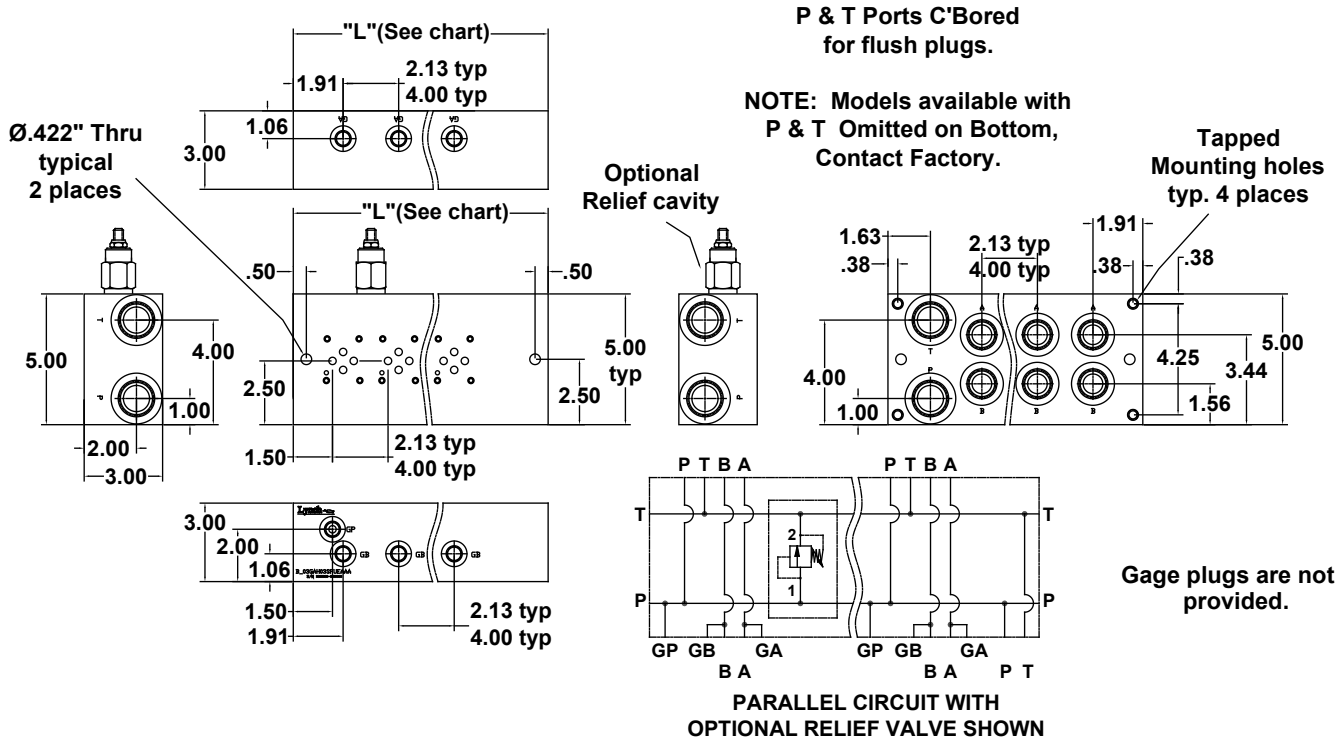


WE RESERVE THE RIGHT TO DISCONTINUE MODELS, OR CHANGE SPECIFICATIONS WITHOUT NOTICE OR INCURRING OBLIGATION

Lynch Products Can Be Modified to Suit Your Application

Phone: 1 (888) 626-4365 or +1 (905) 363-2400 Fax: 1 (800) 263-5807 www.lynch.ca sales@lynch.ca

D03 High Flow Bottom Ported Parallel Circuit Manifold

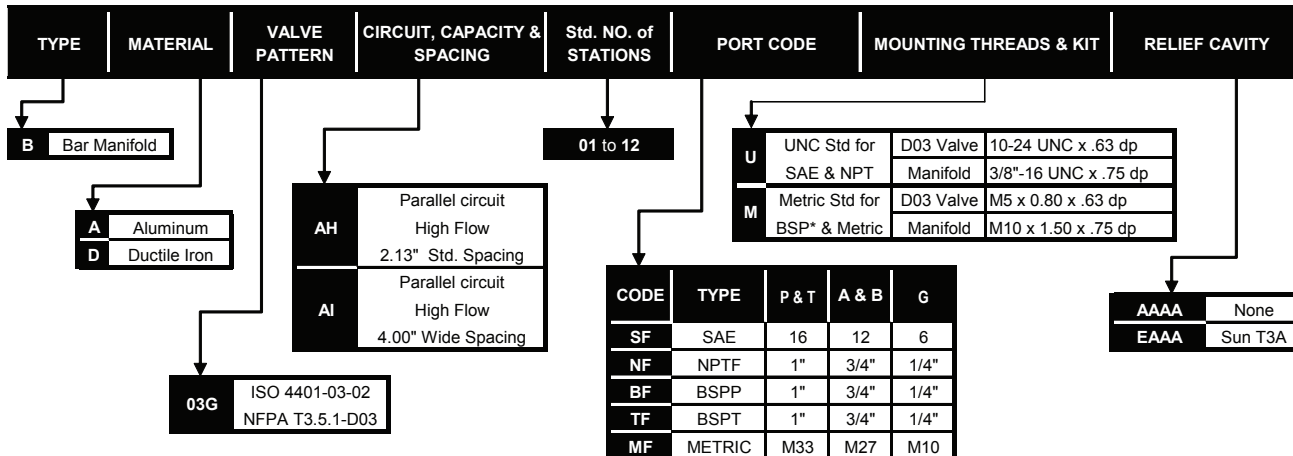


No. of Stations	1	1*	2	3	4	5	6	7	8	9	10	11	12
Dim. "L", 2.125" spacing	5.50	5.75	7.63	9.75	11.88	14.00	16.13	18.25	20.38	22.50	24.63	26.75	28.88
est. weight in lb.- alum	10	11	14	18	22	26	30	34	37	41	45	49	51
est. weight in lb.- iron	27	29	38	48	58	69	79	89	100	110	120	131	137
Dim. "L", 4.00" spacing	-	-	9.50	13.50	17.50	21.50	25.50	29.50	-	-	-	-	-
est. weight in lb.- alum	-	-	18	25	32	39	47	54	-	-	-	-	-
est. weight in lb.- iron	-	-	47	66	86	105	125	144	-	-	-	-	-

* DIMENSIONS FOR 1 STATION WITH RELIEF CAVITY & GAUGE PORT
 NO GAUGE PORT SUPPLIED WITH SINGLE STATION MANIFOLD SHADED AREA AVAILABLE ON SPECIAL ORDER ONLY

PART NUMBER SYSTEM

Aluminum D03 with 2.125" Spacing & SAE Porting example: **BA03GAH**SDUAAAA**

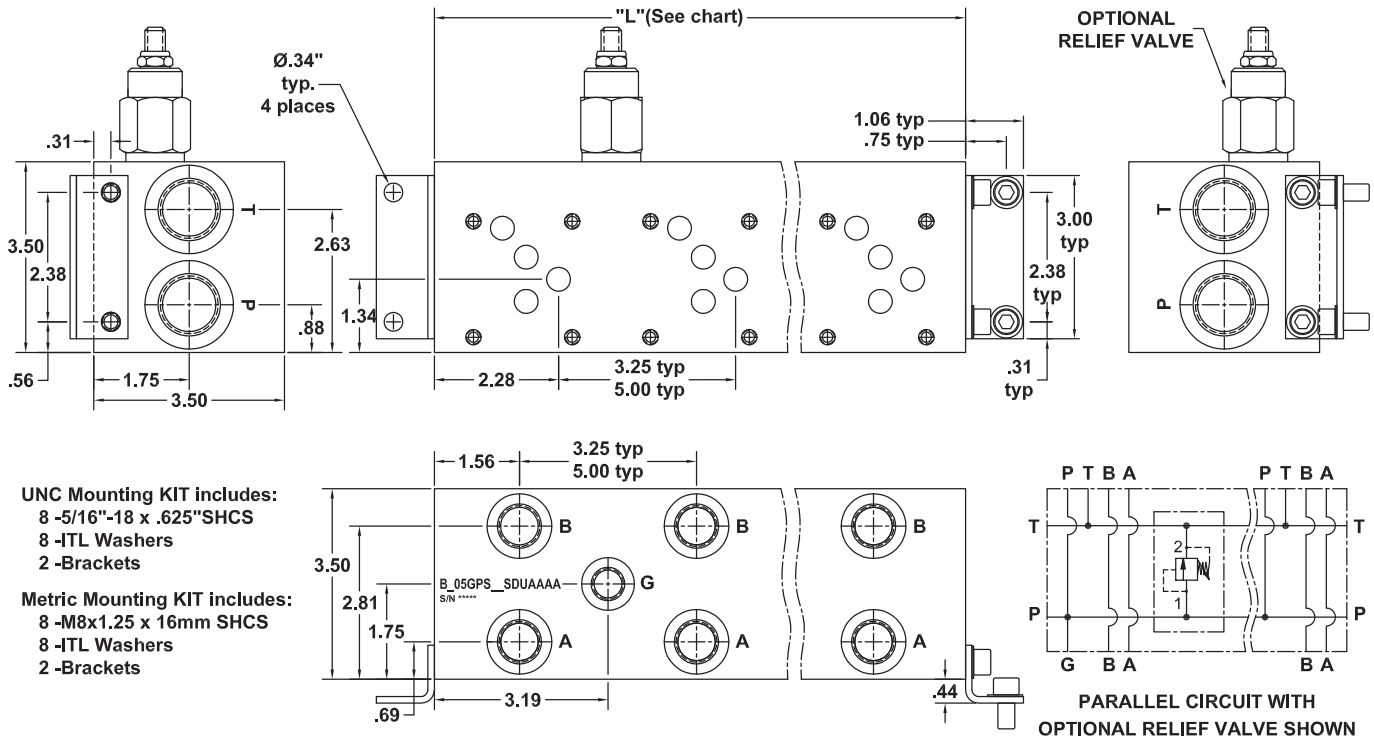


WE RESERVE THE RIGHT TO DISCONTINUE MODELS, OR CHANGE SPECIFICATIONS WITHOUT NOTICE OR INCURRING OBLIGATION

Lynch Products Can Be Modified to Suit Your Application

Phone: 1 (888) 626-4365 or +1 (905) 363-2400 Fax: 1 (800) 263-5807 www.lynch.ca sales@lynch.ca

D05 Standard Flow Parallel Circuit Manifold



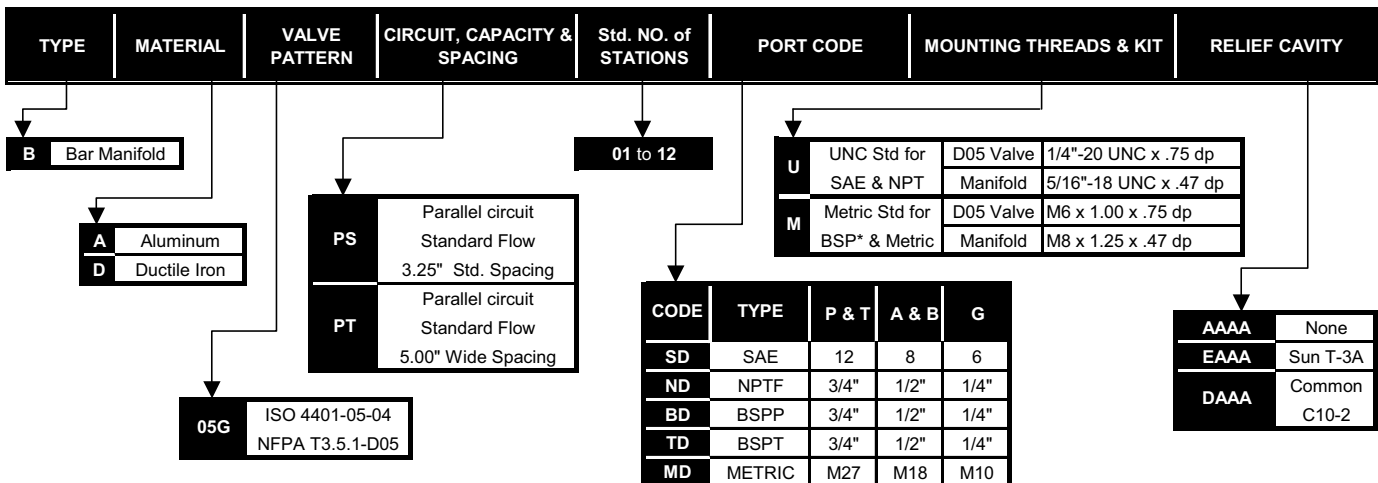
No. of Stations	1	1*	2	3	4	5	6	7	8	9	10	11	12	13	14	15	16
Dim. "L", 3.25" spacing	3.25	4.50	6.50	9.75	13.00	16.25	19.50	22.75	26.00	29.25	32.50	35.75	39.00	42.25	45.50	48.75	52.00
est. weight in lb.- alum	4	5	8	11	14	17	21	24	27	30	34	37	41	44	47	51	55
est. weight in lb.- iron	9	12	17	26	34	43	51	60	68	77	85	94	102	-	-	-	-
Dim. "L", 5.00" spacing	-	-	8.25	13.25	18.25	23.25	28.25	33.25	38.25	43.25	48.25	53.25	58.25	63.25	68.25	-	-
est. weight in lb.- alum	-	-	9	15	20	25	30	35	41	46	50	55	60	65	71	-	-
est. weight in lb.- iron	-	-	22	36	49	62	76	89	102	-	-	-	-	-	-	-	-

* DIMENSIONS FOR 1 STATION WITH RELIEF CAVITY & GAUGE PORT
NO GAUGE PORT SUPPLIED WITH SINGLE STATION MANIFOLD

SHADED AREA AVAILABLE ON SPECIAL ORDER ONLY

PART NUMBER SYSTEM

Aluminum D05 with 3.25" spacing and SAE porting example: **BA05GPS**SDUAAAA**



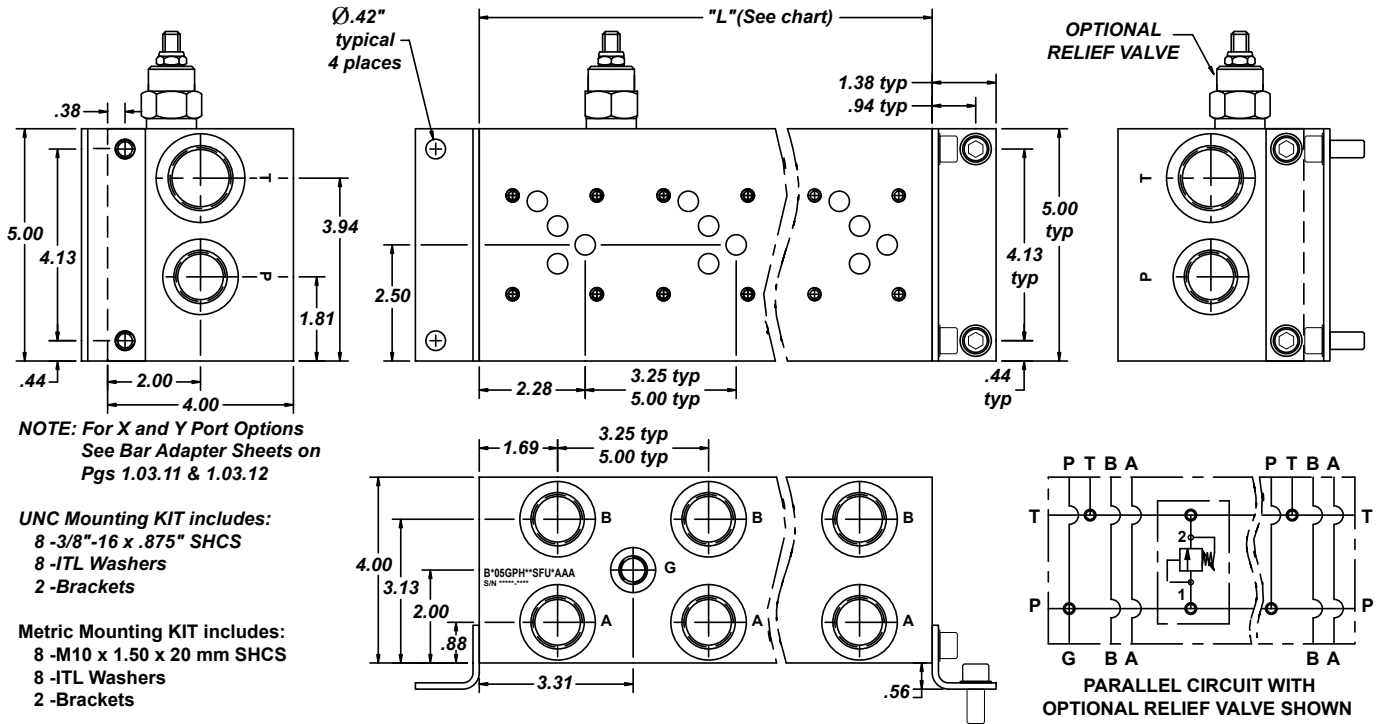
WE RESERVE THE RIGHT TO DISCONTINUE MODELS, OR CHANGE SPECIFICATIONS WITHOUT NOTICE OR INCURRING OBLIGATION

Lynch Products Can Be Modified to Suit Your Application

Phone: 1 (888) 626-4365 or +1 (905) 363-2400 Fax: 1 (800) 263-5807 www.lynch.ca sales@lynch.ca

D05 High Flow Parallel Circuit Manifold

(See Page 1.99.01 for Relief Cartridges)



NOTE: For X and Y Port Options
See Bar Adapter Sheets on
Pgs 1.03.11 & 1.03.12

UNC Mounting KIT includes:
8 - 3/8"-16 x .875" SHCS
8 -ITL Washers
2 -Brackets

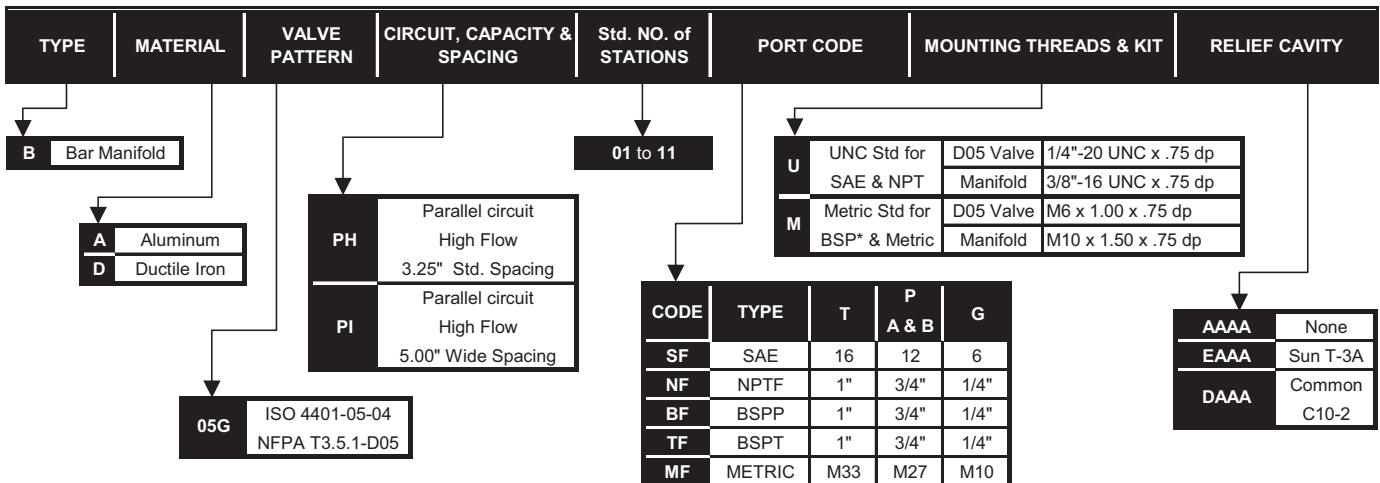
Metric Mounting KIT includes:
8 -M10 x 1.50 x 20 mm SHCS
8 -ITL Washers
2 -Brackets

No. of Stations	1	1*	2	3	4	5	6	7	8	9	10	11	12	13	14	15	16
Dim. "L", 3.25" spacing	3.50	4.50	6.75	10.00	13.25	16.50	19.75	23.00	26.25	29.50	32.75	36.00	39.25	42.50	45.75	49.00	52.25
est. weight in lb.- alum	7	9	13	19	25	30	36	42	48	54	60	66	71	77	83	89	95
est. weight in lb.- iron	18	23	34	49	65	81	97	113	128	144	160	176	192	207	223	239	255
Dim. "L", 5.00" spacing	-	-	8.50	13.50	18.50	23.50	28.50	33.50	38.50	43.50	48.50	53.50	58.50	63.50	68.50	-	-
est. weight in lb.- alum	-	-	16	25	34	43	52	61	70	79	88	97	106	115	124	-	-
est. weight in lb.- iron	-	-	42	66	91	115	139	164	188	212	236	261	285	309	334	-	-

* DIMENSIONS FOR 1 STATION WITH RELIEF CAVITY & GAUGE PORT
NO GAUGE PORT SUPPLIED WITH SINGLE STATION MANIFOLD
SHADED AREA AVAILABLE ON SPECIAL ORDER ONLY

PART NUMBER SYSTEM

Aluminum D05 with 3.25" Spacing & SAE Porting example: BA05GPH**SFUAAAA



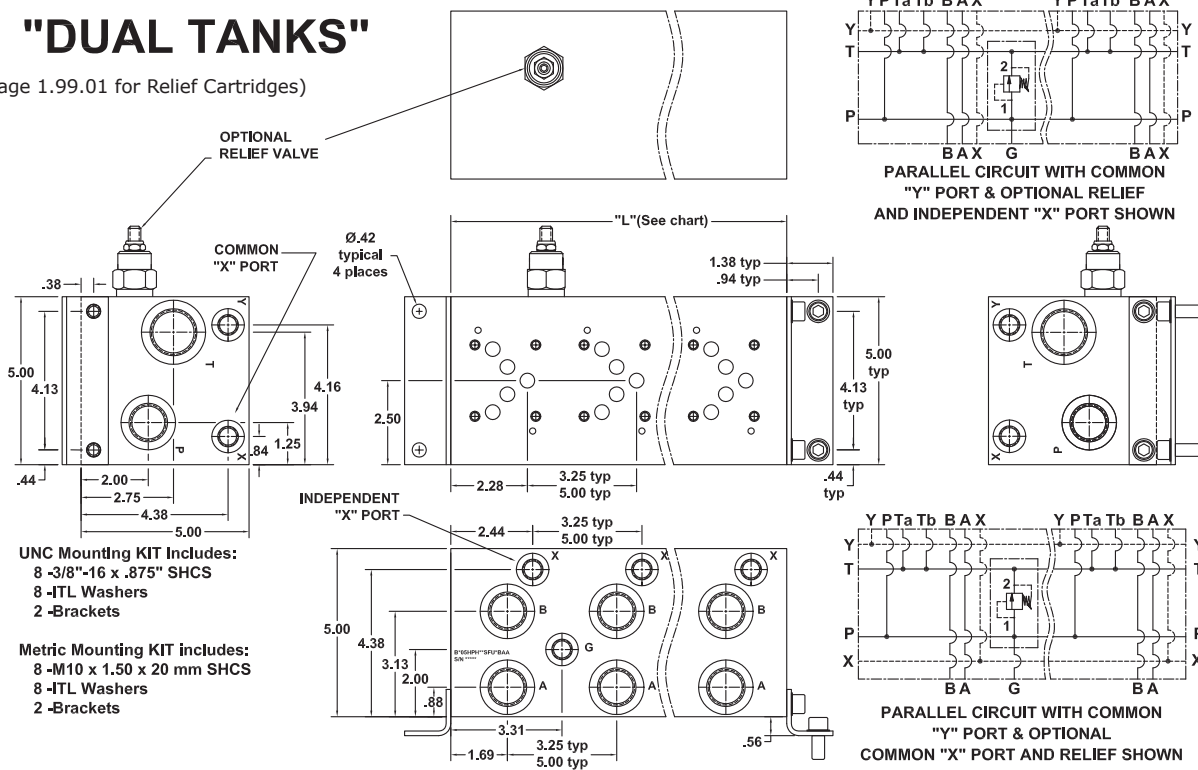
WE RESERVE THE RIGHT TO DISCONTINUE MODELS, OR CHANGE SPECIFICATIONS WITHOUT NOTICE OR INCURRING OBLIGATION

Lynch Products Can Be Modified to Suit Your Application

D05H High Flow Parallel Circuit Manifold with X&Y

"DUAL TANKS"

(See Page 1.99.01 for Relief Cartridges)



UNC Mounting KIT Includes:
8 -3/8"-16 x .875" SHCS
8 -ITL Washers
2 -Brackets

Metric Mounting KIT includes:
8 -M10 x 1.50 x 20 mm SHCS
8 -ITL Washers
2 -Brackets

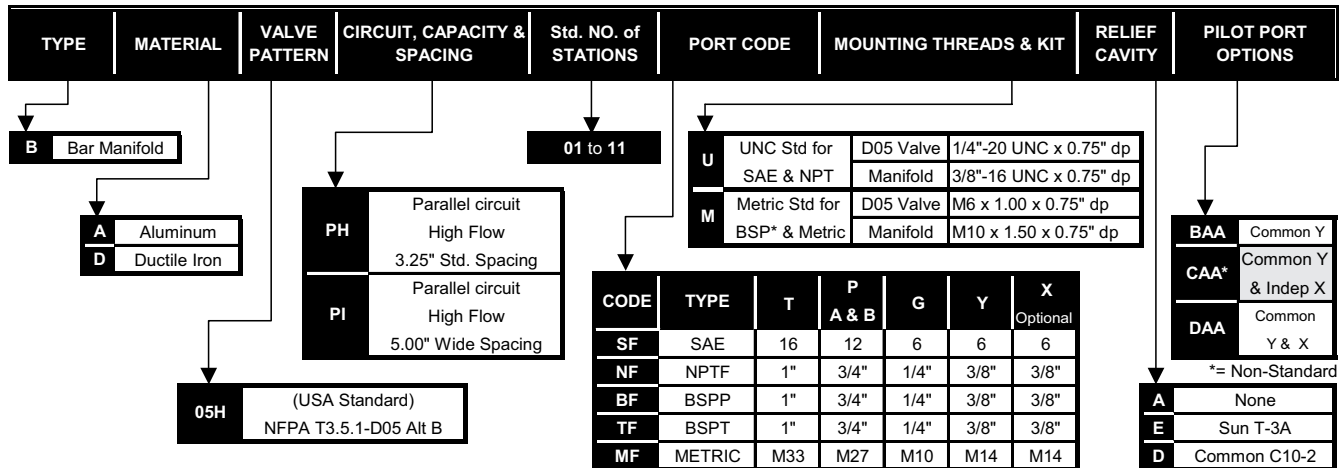
No. of Stations	1	1*	2	3	4	5	6	7	8	9	10	11	12	13	14	15	16
Dim. "L", 3.25" spacing	3.50	4.50	6.75	10.00	13.25	16.50	19.75	23.00	26.25	29.50	32.75	36.00	39.25	42.50	45.75	49.00	52.25
est. weight in lb.- alum	9	11	16	23	31	38	45	53	60	67	74	82	89	96	104	111	118
est. weight in lb.- iron	22	28	42	62	81	101	121	140	160	180	200	219	239	259	279	298	318
Dim. "L", 5.00" spacing	-	-	8.50	13.50	18.50	23.50	28.50	33.50	38.50	43.50	48.50	53.50	58.50	63.50	68.50	-	-
est. weight in lb.- alum	-	-	20	31	42	54	65	76	87	99	110	121	132	144	155	-	-
est. weight in lb.- iron	-	-	52	83	113	144	174	204	235	265	295	326	356	387	417	-	-

* DIMENSIONS FOR 1 STATION WITH RELIEF CAVITY & GAUGE PORT
NO GAUGE PORT SUPPLIED WITH SINGLE STATION MANIFOLD

SHADED AREA AVAILABLE ON SPECIAL ORDER ONLY

PART NUMBER SYSTEM

Aluminum D05H with 3.25" Spacing, Common Y & SAE porting example: **BA05HPH**SFUABAA**



WE RESERVE THE RIGHT TO DISCONTINUE MODELS, OR CHANGE SPECIFICATIONS WITHOUT NOTICE OR INCURRING OBLIGATION

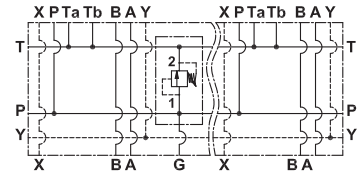
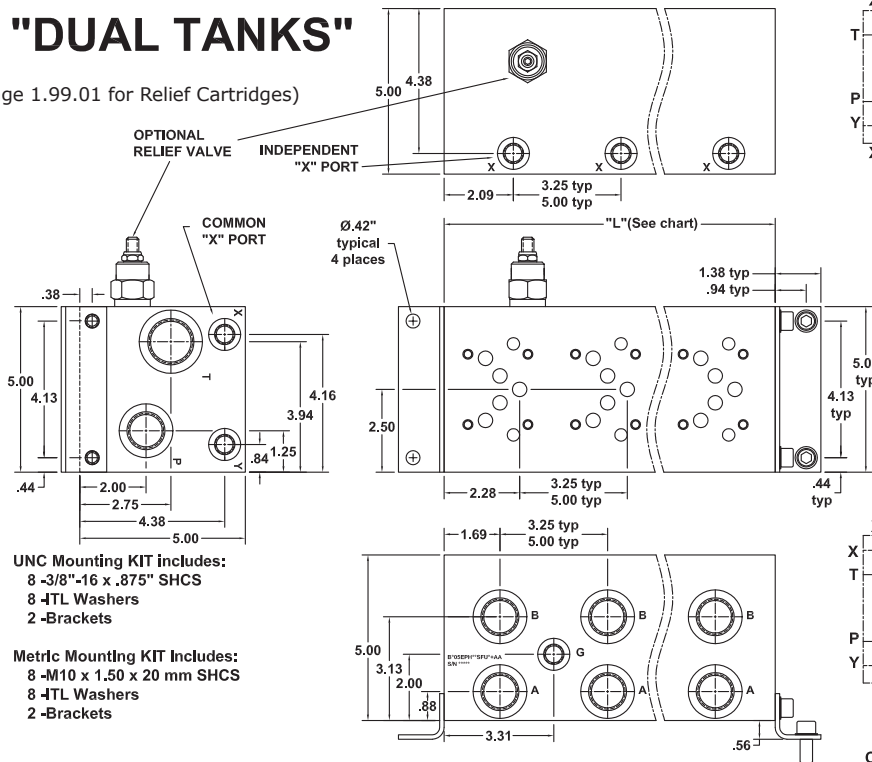
Lynch Products Can Be Modified to Suit Your Application

Phone: 1 (888) 626-4365 or +1 (905) 363-2400 Fax: 1 (800) 263-5807 www.lynch.ca sales@lynch.ca

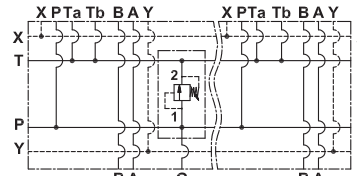
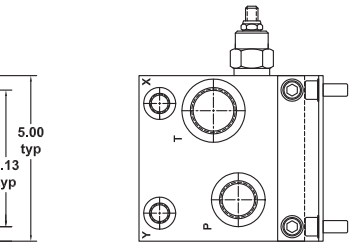
D05HE High Flow Parallel Circuit Manifold with X&Y

"DUAL TANKS"

(See Page 1.99.01 for Relief Cartridges)



PARALLEL CIRCUIT WITH COMMON "Y" PORT & OPTIONAL RELIEF AND INDEPENDENT "X" PORT SHOWN



PARALLEL CIRCUIT WITH COMMON "Y" PORT & OPTIONAL COMMON "X" PORT AND RELIEF SHOWN

No. of Stations	1	1*	2	3	4	5	6	7	8	9	10	11	12	13	14	15	16
Dim. "L", 3.25" spacing	3.50	4.50	6.75	10.00	13.25	16.50	19.75	23.00	26.25	29.50	32.75	36.00	39.25	42.50	45.75	49.00	52.25
est. weight in lb.- alum	9	11	16	23	31	38	45	53	60	67	74	82	89	96	104	111	118
est. weight in lb.- iron	22	28	42	62	81	101	121	140	160	180	200	219	239	259	279	298	318
Dim. "L", 5.00" spacing	-	-	8.50	13.50	18.50	23.50	28.50	33.50	38.50	43.50	48.50	53.50	58.50	63.50	68.50	-	-
est. weight in lb.- alum	-	-	20	31	42	54	65	76	87	99	110	121	132	144	155	-	-
est. weight in lb.- iron	-	-	52	83	113	144	174	204	235	265	295	326	356	387	417	-	-

* DIMENSIONS FOR 1 STATION WITH RELIEF CAVITY & GAUGE PORT
NO GAUGE PORT SUPPLIED WITH SINGLE STATION MANIFOLD
SHADED AREA AVAILABLE ON SPECIAL ORDER ONLY

PART NUMBER SYSTEM

Aluminum D05HE with 3.25" Spacing, Common Y & SAE porting example: BA05EPH**SFUABAA

TYPE	MATERIAL	VALVE PATTERN	CIRCUIT, CAPACITY & SPACING	Std. NO. of STATIONS	PORT CODE	MOUNTING THREADS & KIT	RELIEF CAVITY	PILOT PORT OPTIONS
B	Bar Manifold			01 to 11	U M	D05 Valve Manifold M10 x 1.50 x 0.75" dp		BAA CAA* DAA
A	Aluminum		PH PI					
D	Ductile Iron							
05E	ISO 4401-05-05 (EURO) NFPA T3.5.1-D05 Alt A							

CODE	TYPE	T	P A & B	G	Y	X Optional
SF	SAE	16	12	6	6	6
NF	NPTF	1"	3/4"	1/4"	3/8"	3/8"
BF	BSPP	1"	3/4"	1/4"	3/8"	3/8"
TF	BSPT	1"	3/4"	1/4"	3/8"	3/8"
MF	METRIC	M33	M27	M10	M14	M14

RELIEF CAVITY	PILOT PORT OPTIONS
BAA	Common Y
CAA*	Common Y & Indep X
DAA	Common Y & X
A	None
E	Sun T-3A
D	Common C10-2

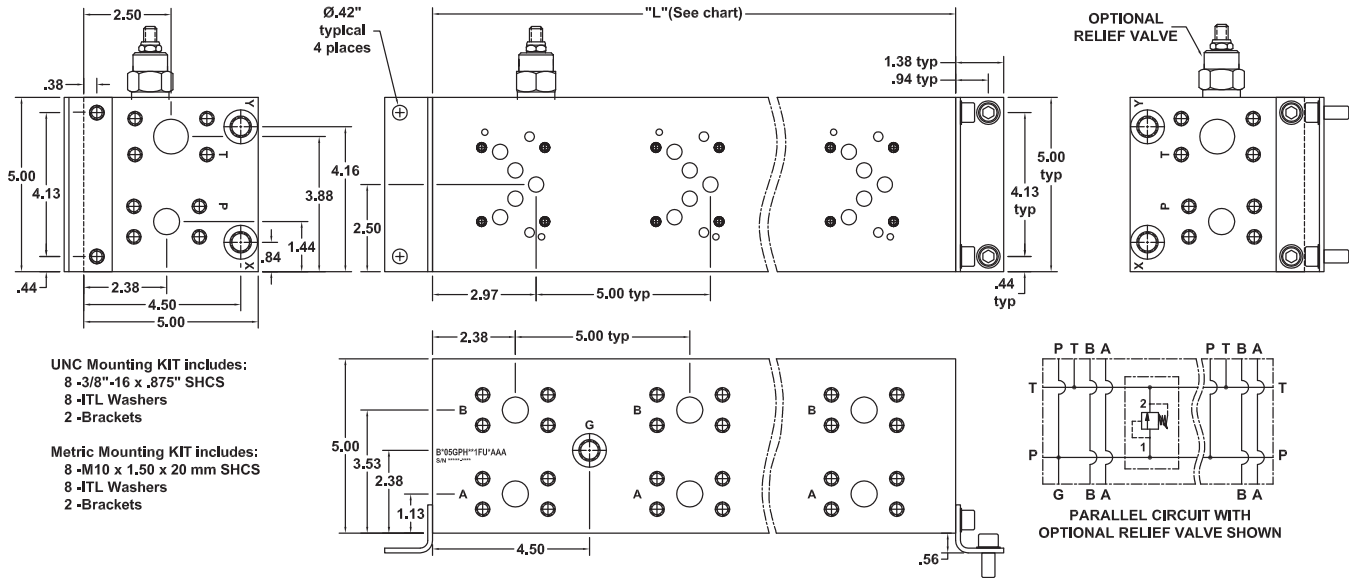
*= Non-Standard

WE RESERVE THE RIGHT TO DISCONTINUE MODELS, OR CHANGE SPECIFICATIONS WITHOUT NOTICE OR INCURRING OBLIGATION

Lynch Products Can Be Modified to Suit Your Application

D05 High Flow Parallel Circuit with Flange Ports

(See Page 1.99.01 for Relief Cartridges)



UNC Mounting KIT includes:
8 -3/8"-16 x .875" SHCS
8 -JTL Washers
2 -Brackets

Metric Mounting KIT includes:
8 -M10 x 1.50 x 20 mm SHCS
8 -JTL Washers
2 -Brackets

No. of Stations	1	1*	2	3	4	5	6	7	8
Dim. "L", 5.00" spacing	5.00	6.00	10.00	15.00	20.00	25.00	30.00	35.00	40.00
est. weight in lb.- alum	12	14	23	35	46	57	68	80	91
est. weight in lb.- iron	31	37	62	92	122	153	183	213	244

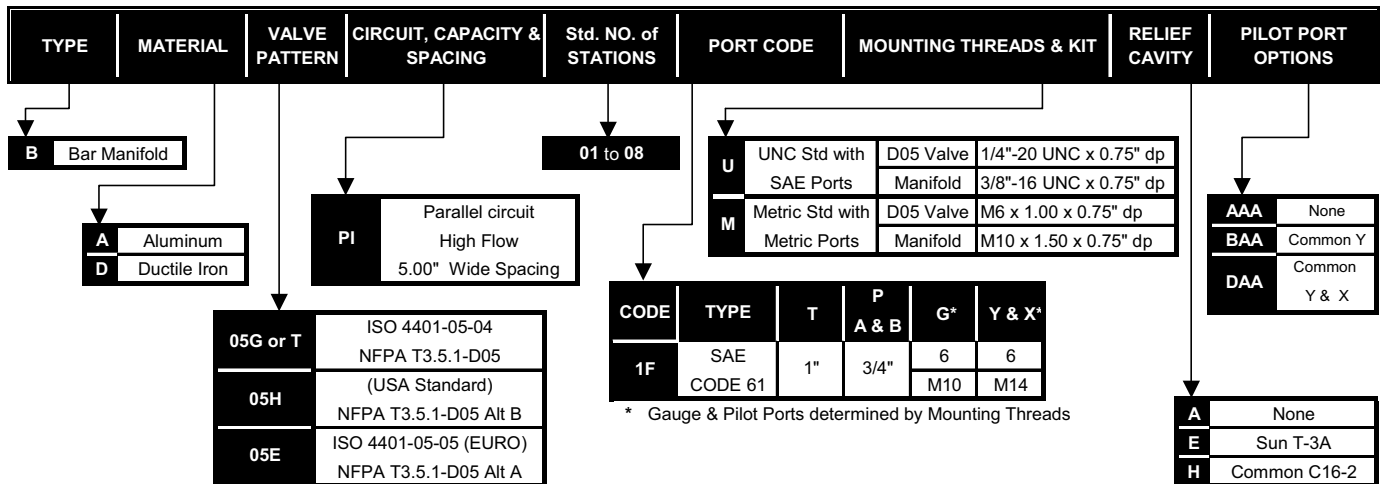
* DIMENSIONS FOR 1 STATION WITH RELIEF CAVITY

NOTES:

- "05G" Valve Pattern has Single Tank Gallery and No Pilot Ports
- "05T" Valve Pattern has Dual Tank Galleries and No Pilot Ports
- "05H" Valve Pattern has Dual Tank Galleries and Pilot Ports as Shown
- "05E" Valve Pattern has Dual Tank Galleries and Pilot Ports Opposite to what is Shown

PART NUMBER SYSTEM

Aluminum D05H with 5.00" Spacing, Common Y & Flange porting example: BA05HPI**1FUABAA



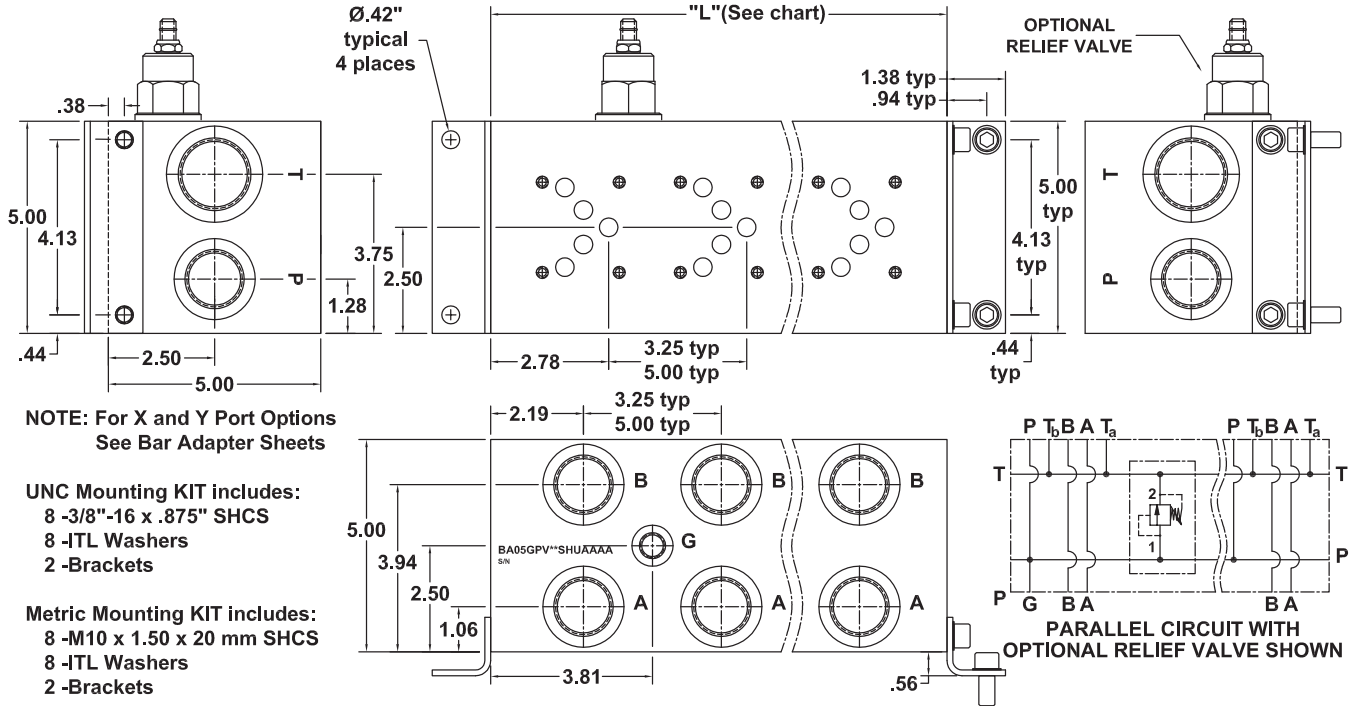
WE RESERVE THE RIGHT TO DISCONTINUE MODELS, OR CHANGE SPECIFICATIONS WITHOUT NOTICE OR INCURRING OBLIGATION

Lynch Products Can Be Modified to Suit Your Application

Phone: 1 (888) 626-4365 or +1 (905) 363-2400 Fax: 1 (800) 263-5807 www.lynch.ca sales@lynch.ca

D05 Very High Flow Parallel Circuit Manifold

(See Page 1.99.01 for Relief Cartridges)

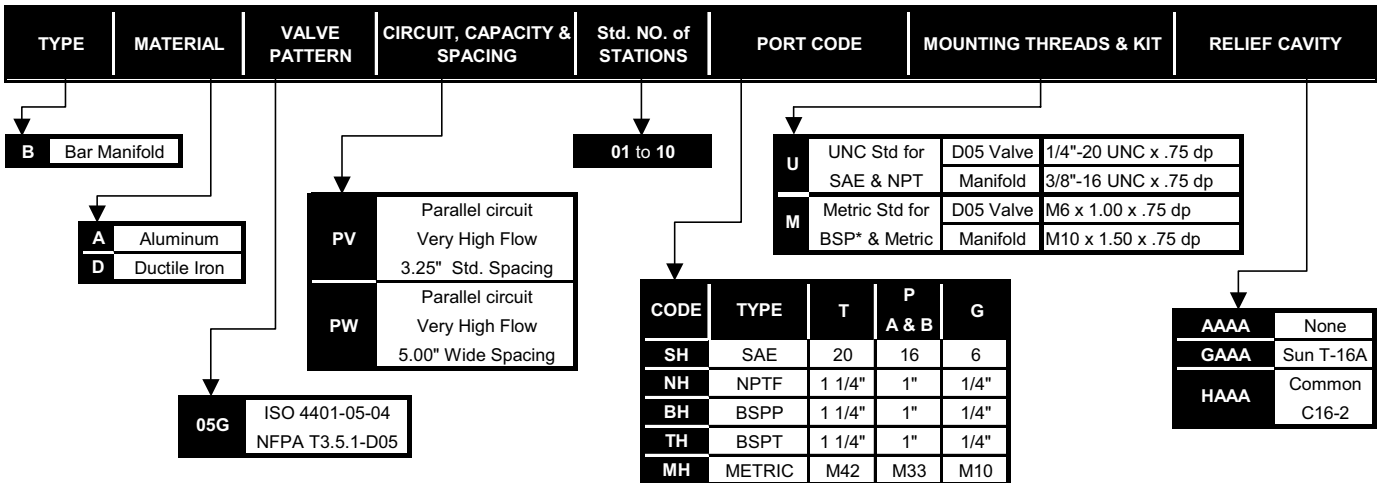


No. of Stations	1	1*	2	3	4	5	6	7	8	9	10	11
Dim. "L", 3.25" spacing	4.25	5.50	7.50	10.75	14.00	17.25	20.50	23.75	27.00	30.25	33.50	36.75
est. weight in lb.- alum	11	14	19	26	34	42	49	57	65	73	80	88
est. weight in lb.- iron	28	36	49	70	91	111	132	153	174	195	216	224
Dim. "L", 5.00" spacing	-	-	9.25	14.25	19.25	24.25	29.25	34.25	39.25	-	-	-
est. weight in lb.- alum	-	-	23	35	46	58	70	82	94	-	-	-
est. weight in lb.- iron	-	-	60	92	124	156	188	220	252	-	-	-

* DIMENSIONS FOR 1 STATION WITH RELIEF CAVITY & GAUGE PORT
NO GAUGE PORT SUPPLIED WITH SINGLE STATION MANIFOLD
SHADED AREA AVAILABLE ON SPECIAL ORDER ONLY

PART NUMBER SYSTEM

Aluminum D05 with 3.25" Spacing & SAE Porting example: BA05GPV**SHUAAAA



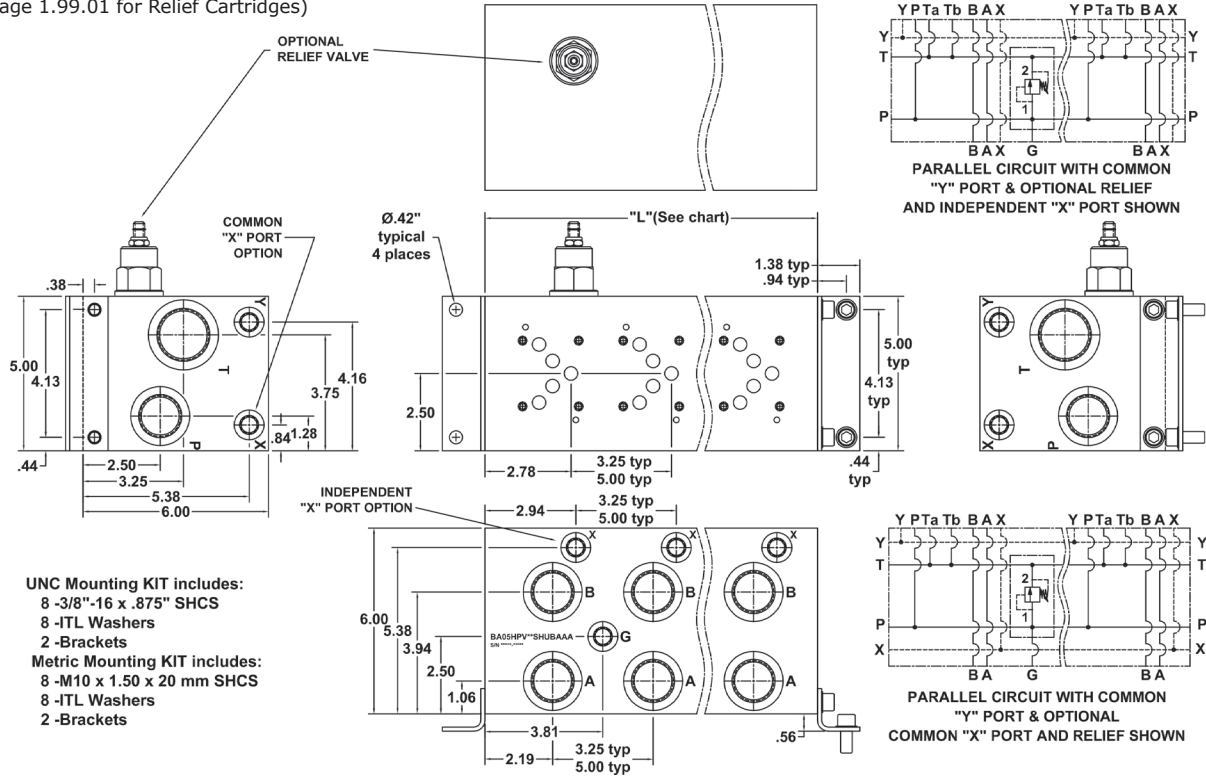
WE RESERVE THE RIGHT TO DISCONTINUE MODELS, OR CHANGE SPECIFICATIONS WITHOUT NOTICE OR INCURRING OBLIGATION

Lynch Products Can Be Modified to Suit Your Application

Phone: 1 (888) 626-4365 or +1 (905) 363-2400 Fax: 1 (800) 263-5807 www.lynch.ca sales@lynch.ca

D05H Very High Flow Parallel Circuit with X&Y

(See Page 1.99.01 for Relief Cartridges)

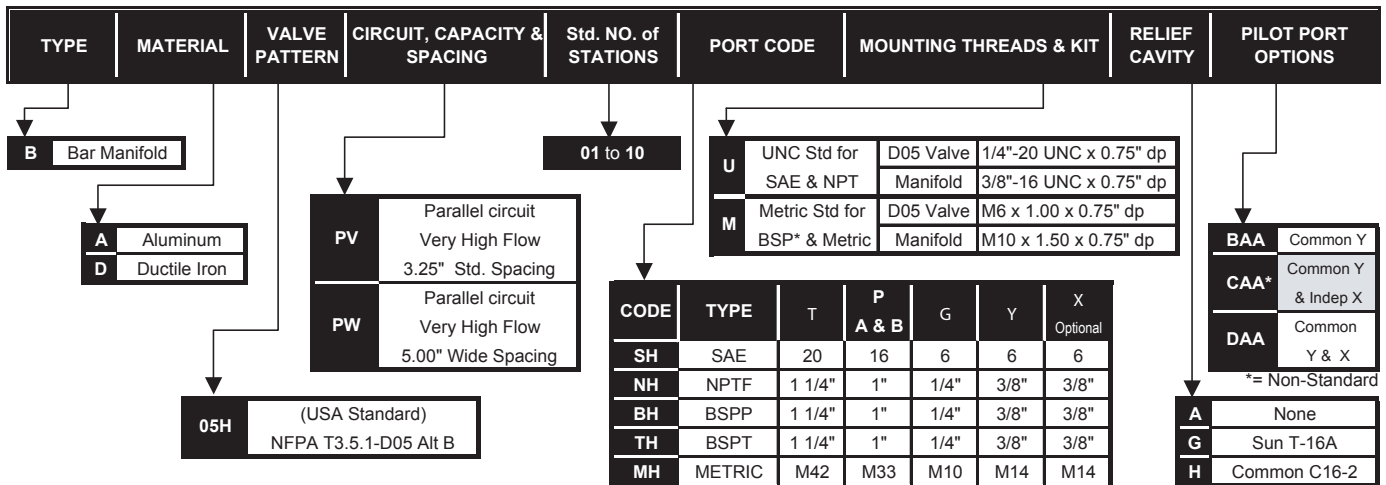


No. of Stations	1	1*	2	3	4	5	6	7	8	9	10	11
Dim. "L", 3.25" spacing	4.25	5.50	7.50	10.75	14.00	17.25	20.50	23.75	27.00	30.25	33.50	36.75
est. weight in lb.- alum	13	16	22	31	41	50	59	68	78	87	96	105
est. weight in lb.- iron	33	43	58	83	108	133	158	184	209	234	259	284
Dim. "L", 5.00" spacing	-	-	9.25	14.25	19.25	24.25	29.25	34.25	39.25	-	-	-
est. weight in lb.- alum	-	-	27	41	56	70	84	98	113	-	-	-
est. weight in lb.- iron	-	-	72	110	149	187	226	264	303	-	-	-

* DIMENSIONS FOR 1 STATION WITH RELIEF CAVITY & GAUGE PORT SHADED AREA AVAILABLE ON SPECIAL ORDER ONLY
NO GAUGE PORT SUPPLIED WITH SINGLE STATION MANIFOLD

PART NUMBER SYSTEM

Aluminum D05H with 3.25" Spacing, Common Y & SAE porting example: BA05HPV**SHUBAAA



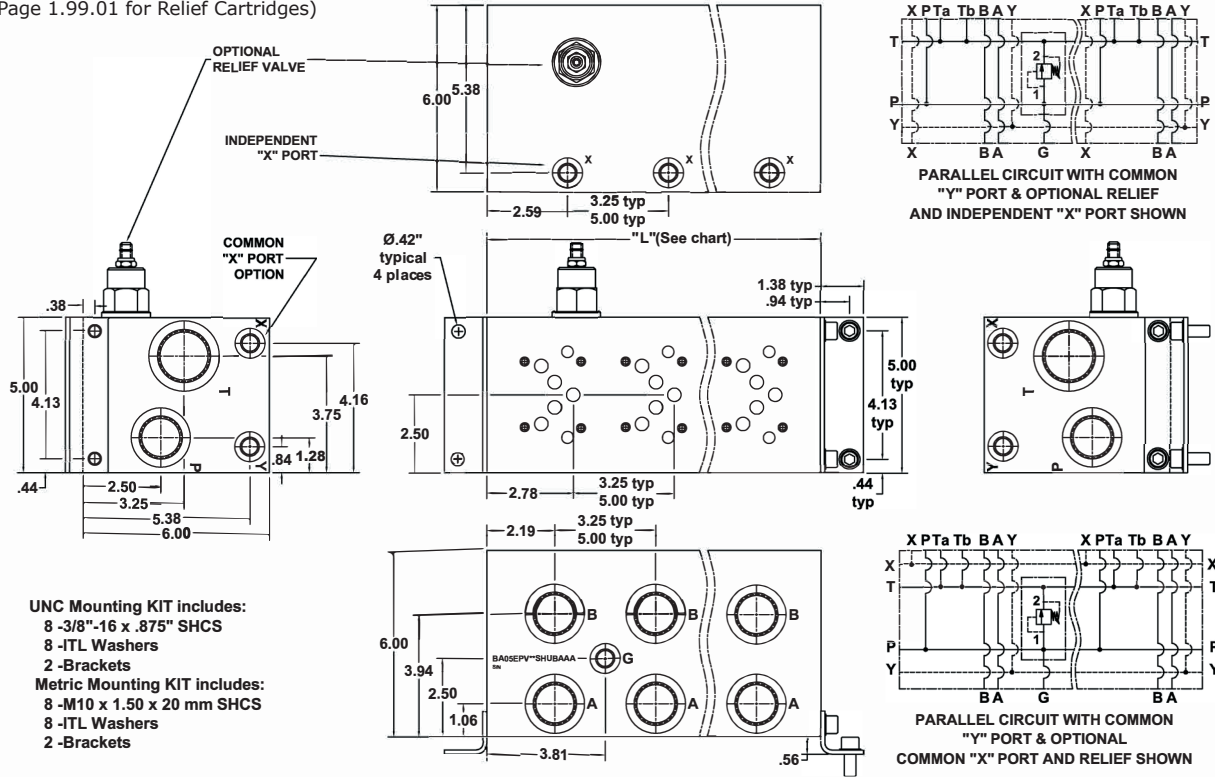
WE RESERVE THE RIGHT TO DISCONTINUE MODELS, OR CHANGE SPECIFICATIONS WITHOUT NOTICE OR INCURRING OBLIGATION

Lynch Products Can Be Modified to Suit Your Application

Phone: 1 (888) 626-4365 or +1 (905) 363-2400 Fax: 1 (800) 263-5807 www.lynch.ca sales@lynch.ca

D05HE Very High Flow Parallel Circuit with X&Y

(See Page 1.99.01 for Relief Cartridges)



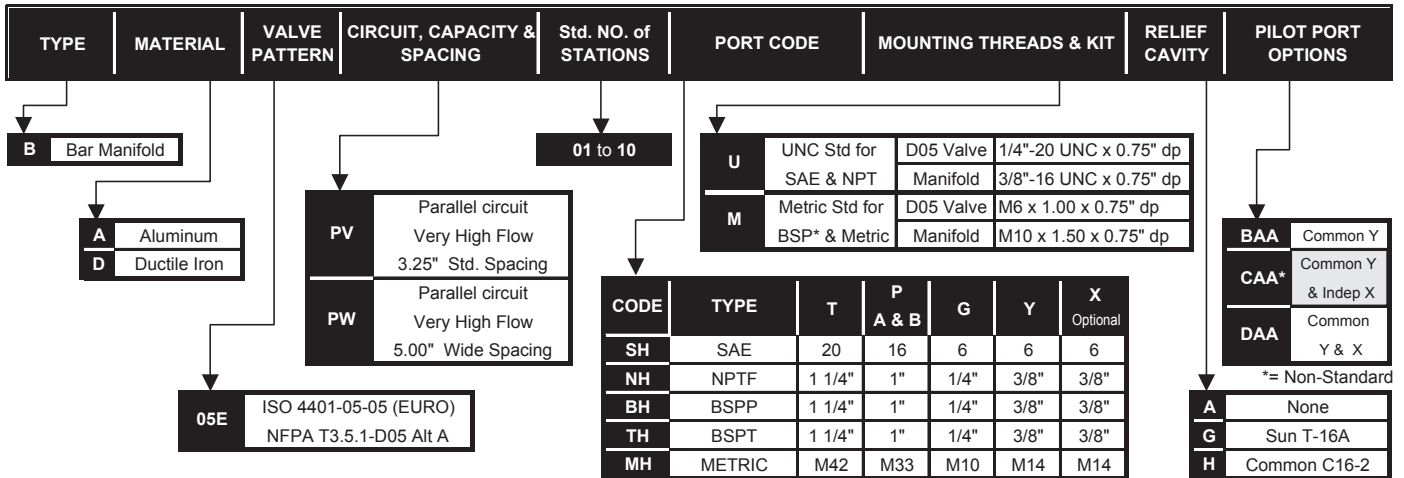
- UNC Mounting KIT includes:**
 8 -3/8"-16 x .875" SHCS
 8 -ITL Washers
 2 -Brackets
- Metric Mounting KIT includes:**
 8 -M10 x 1.50 x 20 mm SHCS
 8 -ITL Washers
 2 -Brackets

No. of Stations	1	1*	2	3	4	5	6	7	8	9	10	11
Dim. "L", 3.25" spacing	4.25	5.50	7.50	10.75	14.00	17.25	20.50	23.75	27.00	30.25	33.50	36.75
est. weight in lb.- alum	13	16	22	31	41	50	59	68	78	87	96	105
est. weight in lb.- iron	33	43	58	83	108	133	158	184	209	234	259	284
Dim. "L", 5.00" spacing	-	-	9.25	14.25	19.25	24.25	29.25	34.25	39.25	-	-	-
est. weight in lb.- alum	-	-	27	41	56	70	84	98	113	-	-	-
est. weight in lb.- iron	-	-	72	110	149	187	226	264	303	-	-	-

* DIMENSIONS FOR 1 STATION WITH RELIEF CAVITY & GAUGE PORT
 SHADDED AREA AVAILABLE ON SPECIAL ORDER ONLY
 NO GAUGE PORT SUPPLIED WITH SINGLE STATION MANIFOLD

PART NUMBER SYSTEM

Aluminum D05HE with 3.25" Spacing, Common Y & SAE porting example: **BA05EPV**SHUABAA**

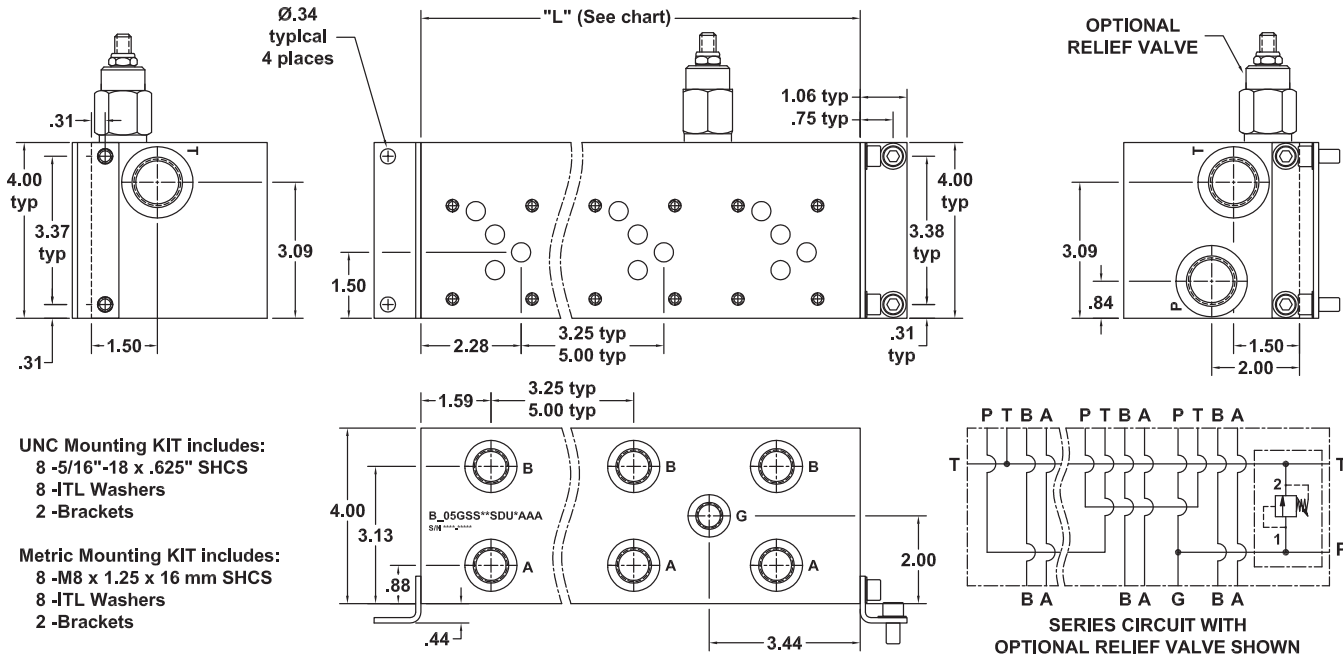


WE RESERVE THE RIGHT TO DISCONTINUE MODELS, OR CHANGE SPECIFICATIONS WITHOUT NOTICE OR INCURRING OBLIGATION

Lynch Products Can Be Modified to Suit Your Application

D05 Standard Flow Series Circuit Manifold

(See Page 1.99.01 for Relief Cartridges)



UNC Mounting KIT includes:
8 -5/16"-18 x .625" SHCS
8 -ITL Washers
2 -Brackets

Metric Mounting KIT includes:
8 -M8 x 1.25 x 16 mm SHCS
8 -ITL Washers
2 -Brackets

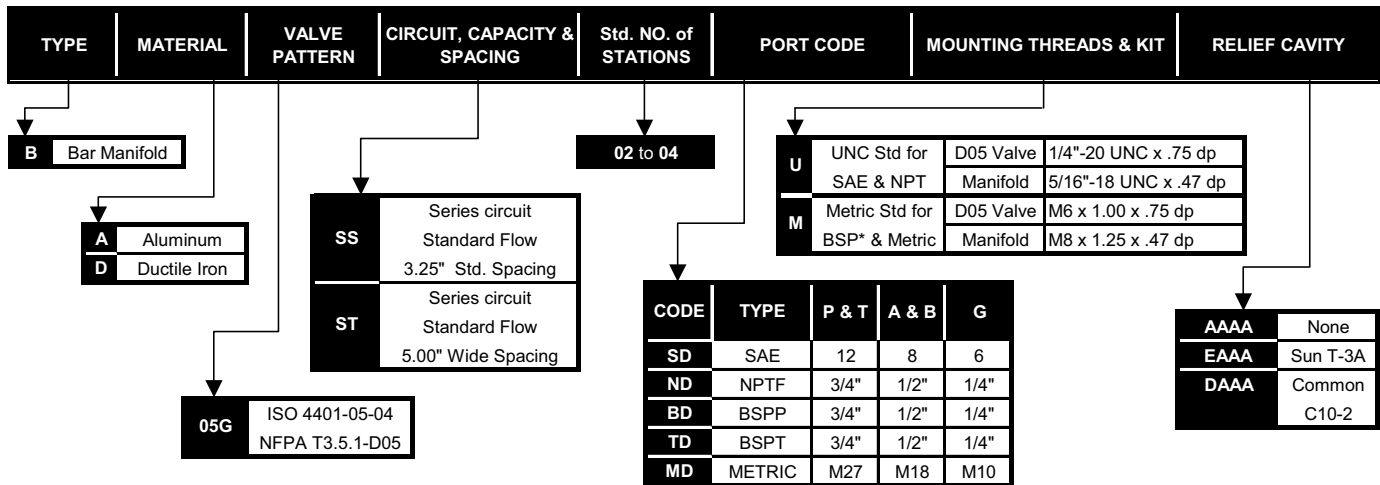
No. of Stations	2	3	4	5	6
Dim. "L", 3.25" spacing	6.75	10.00	13.25	16.50	19.75
est. weight in lb.- alum	10	15	20	25	29
est. weight in lb.- iron	27	40	52	65	78
Dim. "L", 5.00" spacing	8.50	13.50	18.50	23.50	28.50
est. weight in lb.- alum	13	20	27	35	42
est. weight in lb.- iron	34	53	73	92	112

SHADED AREA AVAILABLE
ON SPECIAL ORDER ONLY

- NOTES: 1) FOR PILOT PORT OPTIONS SEE D05 BAR MANIFOLD ADAPTER SHEETS ON PAGES 1.03.11 & 1.03.12
2) SPECIAL VERSION WITH ALL SAE 12 PORTS IS AVAILABLE WITH SAME DIMENSIONS BY USING PORT CODE "SF"
3) P-T MAIN SYSTEM RELIEF AVAILABLE AS A STANDARD OPTION

PART NUMBER SYSTEM

Aluminum D05 with 3.25" spacing and SAE porting example: BA05GSS**SDUAAAA



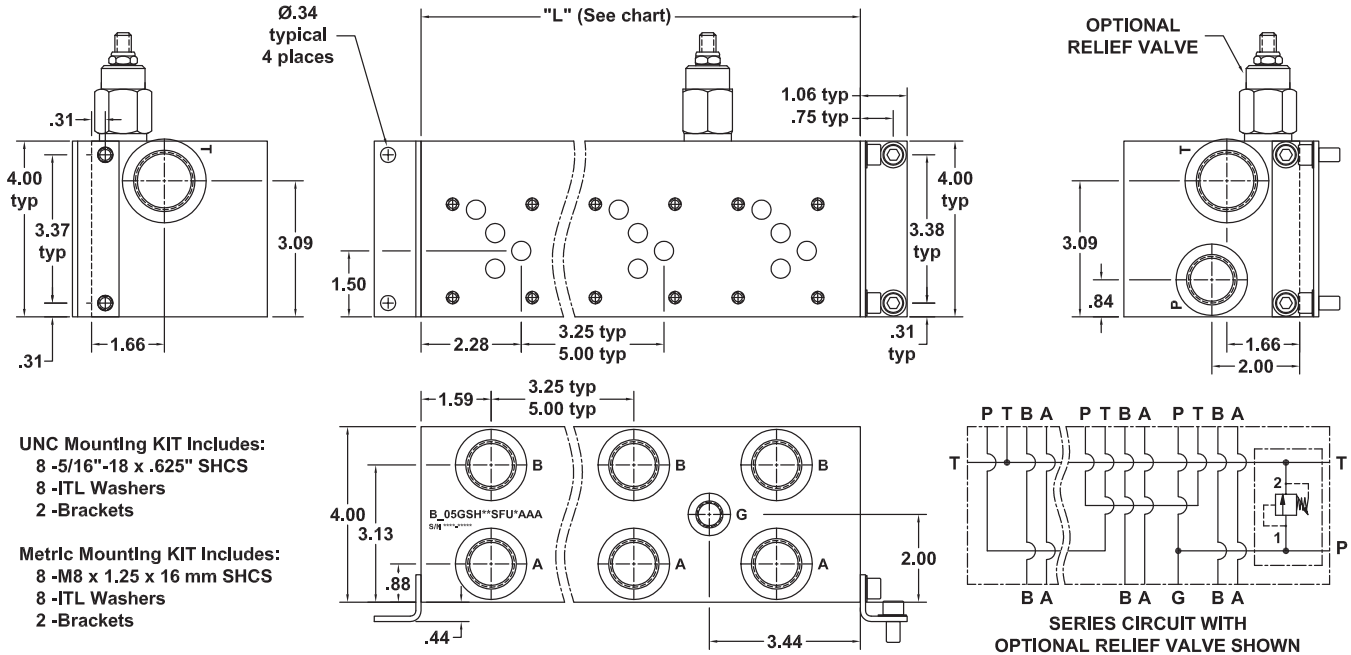
WE RESERVE THE RIGHT TO DISCONTINUE MODELS, OR CHANGE SPECIFICATIONS WITHOUT NOTICE OR INCURRING OBLIGATION

Lynch Products Can Be Modified to Suit Your Application

Phone: 1 (888) 626-4365 or +1 (905) 363-2400 Fax: 1 (800) 263-5807 www.lynch.ca sales@lynch.ca

D05 High Flow Series Circuit Manifold

(See Page 1.99.01 for Relief Cartridges)



UNC Mounting KIT Includes:
8 -5/16"-18 x .625" SHCS
8 -ITL Washers
2 -Brackets

Metric Mounting KIT Includes:
8 -M8 x 1.25 x 16 mm SHCS
8 -ITL Washers
2 -Brackets

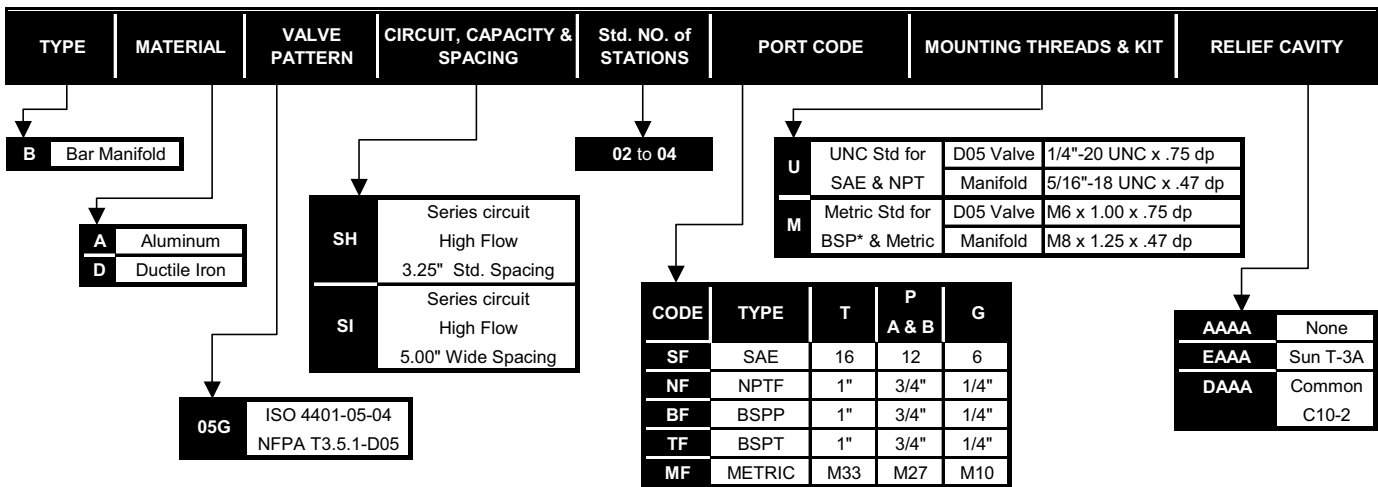
No. of Stations	2	3	4	5	6
Dim. "L", 3.25" spacing	6.75	10.00	13.25	16.50	19.75
est. weight in lb.- alum	10	15	20	25	29
est. weight in lb.- iron	27	40	52	65	78
Dim. "L", 5.00" spacing	8.50	13.50	18.50	23.50	28.50
est. weight in lb.- alum	13	20	27	35	42
est. weight in lb.- iron	34	53	73	92	112

SHADED AREA AVAILABLE ON SPECIAL ORDER ONLY

- NOTES:** 1) FOR PILOT PORT OPTIONS SEE D05 BAR MANIFOLD ADAPTER SHEETS ON PAGES 1.03.11 & 1.03.12
2) P-T MAIN SYSTEM RELIEF AVAILABLE AS A STANDARD OPTION

PART NUMBER SYSTEM

Aluminum D05 with 3.25" spacing and SAE porting example: **BA05GSH**SFUAAAA**

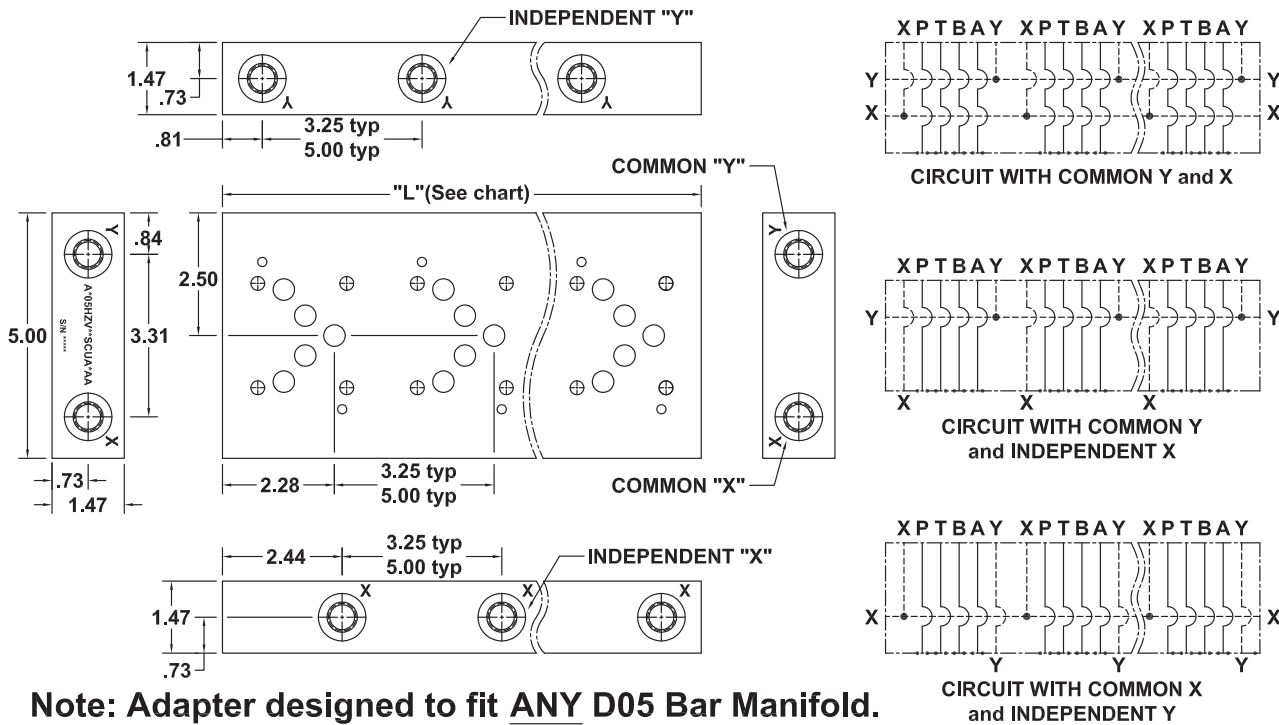


WE RESERVE THE RIGHT TO DISCONTINUE MODELS, OR CHANGE SPECIFICATIONS WITHOUT NOTICE OR INCURRING OBLIGATION

Lynch Products Can Be Modified to Suit Your Application

Phone: 1 (888) 626-4365 or +1 (905) 363-2400 Fax: 1 (800) 263-5807 www.lynch.ca sales@lynch.ca

D05H Pilot Port Adapter for Bar Manifolds



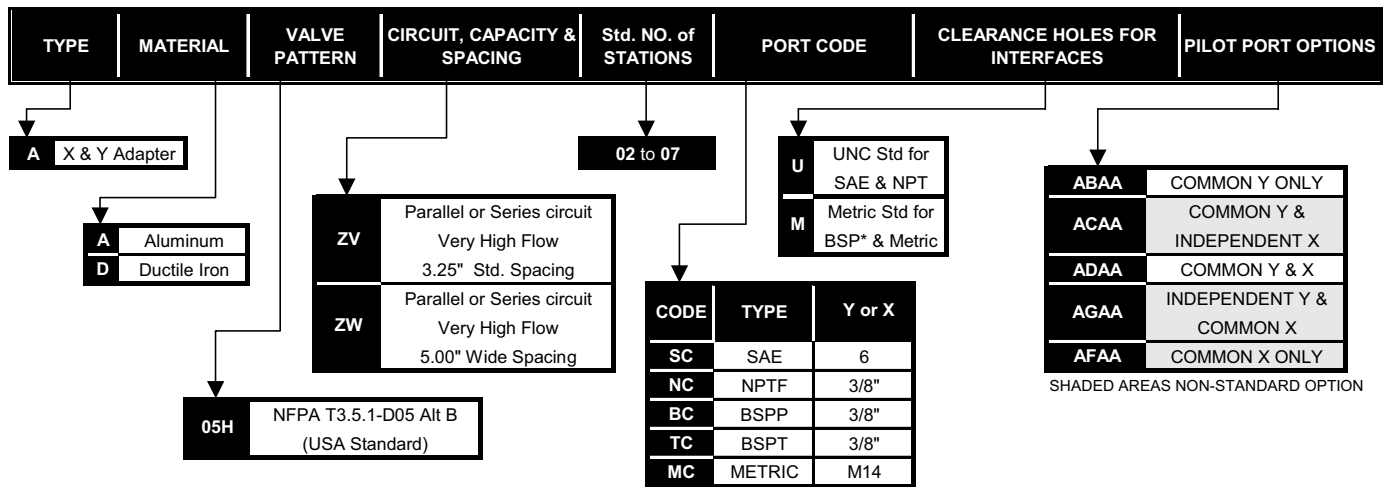
Note: Adapter designed to fit ANY D05 Bar Manifold.

No. of Stations	2	3	4	5	6	7	8	9	10	11	12	13	14	15	16
Dim. "L", 3.25" spacing	6.50	9.75	13.00	16.25	19.50	22.75	26.00	29.25	32.50	35.75	39.00	42.25	45.50	48.75	52.00
est. weight in lb.- alum	4	7	9	11	13	15	18	20	22	24	26	29	31	33	35
est. weight in lb.- iron	12	18	24	30	36	41	47	53	59	65	71	77	83	89	95
Dim. "L", 5.00" spacing	8.25	13.25	18.25	23.25	28.25	33.25	38.25	43.25	48.25	53.25	58.25	63.25	68.25	-	-
est. weight in lb.- alum	6	9	12	16	19	22	26	29	33	36	39	43	46	-	-
est. weight in lb.- iron	15	24	33	42	51	61	70	79	88	97	106	115	124	-	-

SHADED AREA AVAILABLE ON SPECIAL ORDER ONLY

PART NUMBER SYSTEM

Aluminum D05H with 3.25" Spacing, Common Y with SAE Porting example : AA05HZV**SCUABAA

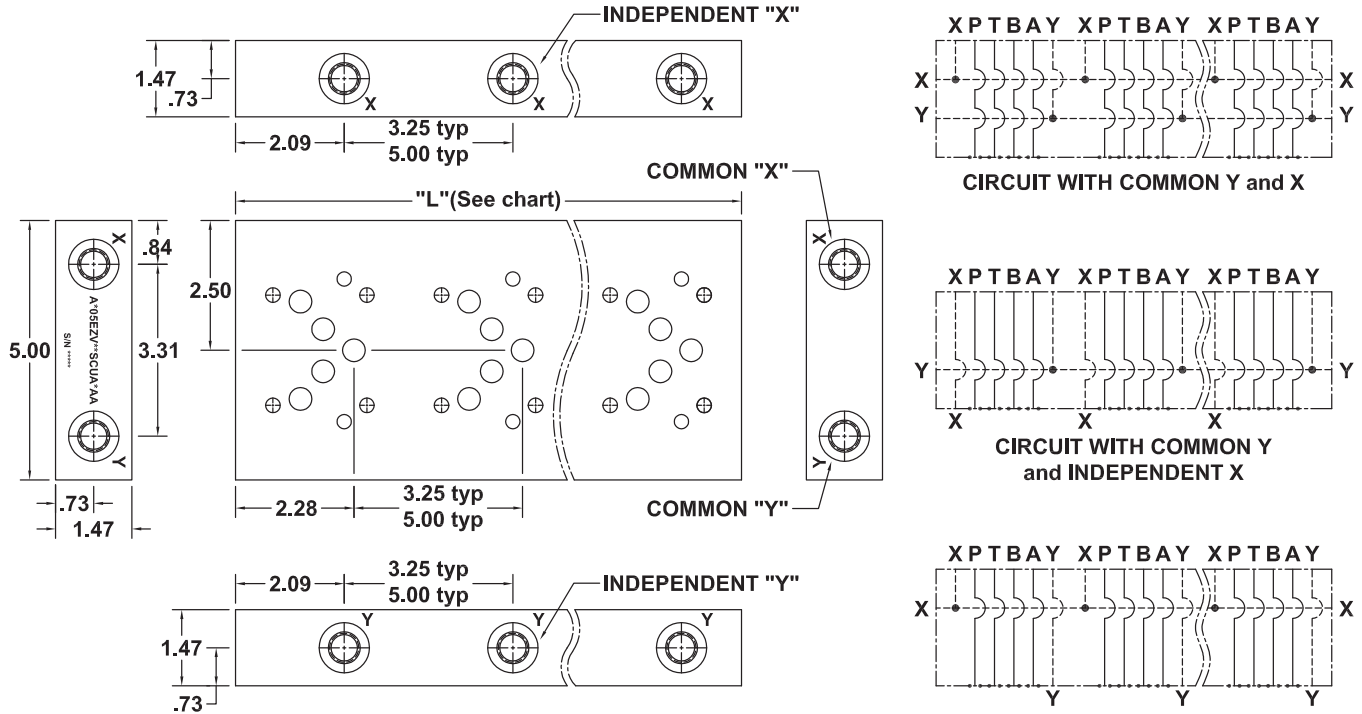


WE RESERVE THE RIGHT TO DISCONTINUE MODELS, OR CHANGE SPECIFICATIONS WITHOUT NOTICE OR INCURRING OBLIGATION

Lynch Products Can Be Modified to Suit Your Application

Phone: 1 (888) 626-4365 or +1 (905) 363-2400 Fax: 1 (800) 263-5807 www.lynch.ca sales@lynch.ca

D05HE Pilot Port Adapter for Bar Manifolds



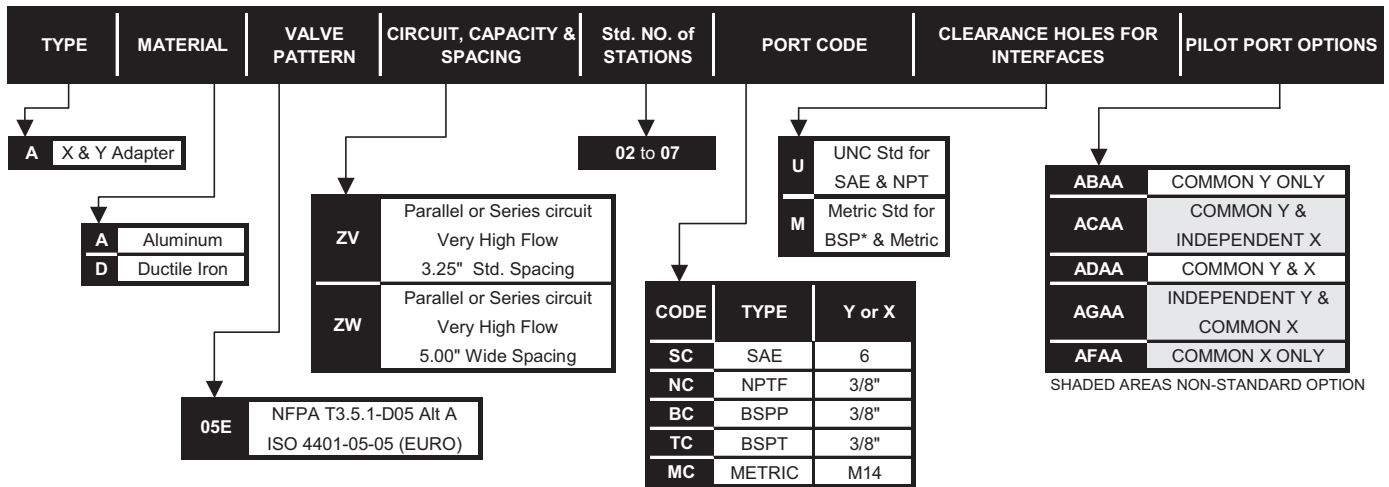
Note: Adapter designed to fit ANY D05 Bar Manifold.

No. of Stations	2	3	4	5	6	7	8	9	10	11	12	13	14	15	16
Dim. "L", 3.25" spacing	6.50	9.75	13.00	16.25	19.50	22.75	26.00	29.25	32.50	35.75	39.00	42.25	45.50	48.75	52.00
est. weight in lb.- alum	4	7	9	11	13	15	18	20	22	24	26	29	31	33	35
est. weight in lb.- iron	12	18	24	30	36	41	47	53	59	65	71	77	83	89	95
Dim. "L", 5.00" spacing	8.25	13.25	18.25	23.25	28.25	33.25	38.25	43.25	48.25	53.25	58.25	63.25	68.25	-	-
est. weight in lb.- alum	6	9	12	16	19	22	26	29	33	36	39	43	46	-	-
est. weight in lb.- iron	15	24	33	42	51	61	70	79	88	97	106	115	124	-	-

SHADED AREA AVAILABLE ON SPECIAL ORDER ONLY

PART NUMBER SYSTEM

Aluminum D05HE with 3.25" Spacing, Common Y with SAE Porting example : AA05EZV**SCUABAA



WE RESERVE THE RIGHT TO DISCONTINUE MODELS, OR CHANGE SPECIFICATIONS WITHOUT NOTICE OR INCURRING OBLIGATION

Lynch Products Can Be Modified to Suit Your Application

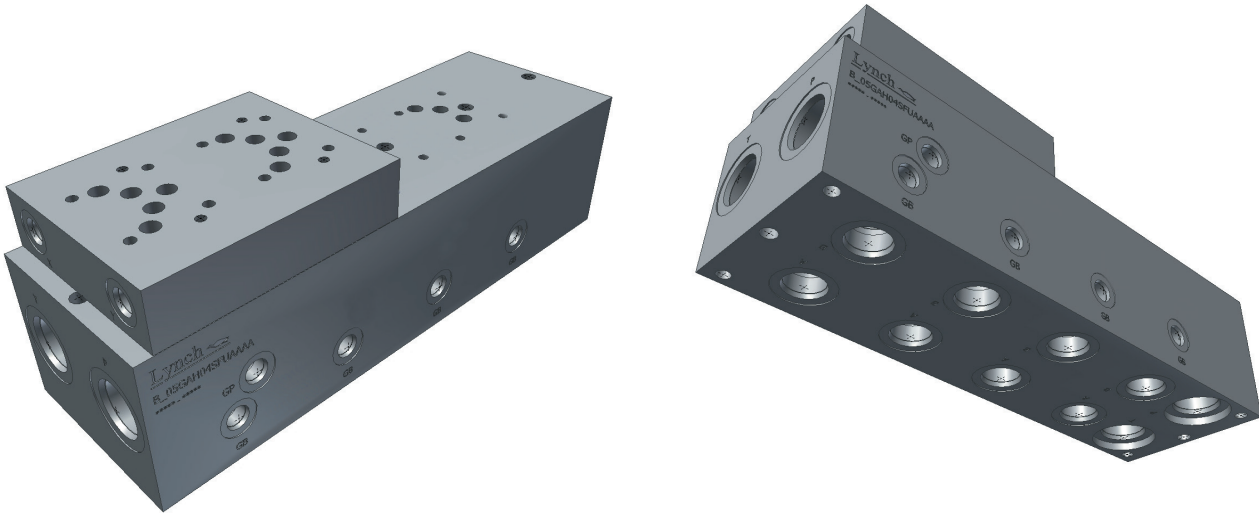
Phone: 1 (888) 626-4365 or +1 (905) 363-2400 Fax: 1 (800) 263-5807 www.lynch.ca sales@lynch.ca

Flexible Assemblies with D05 Pilot Port Adapters

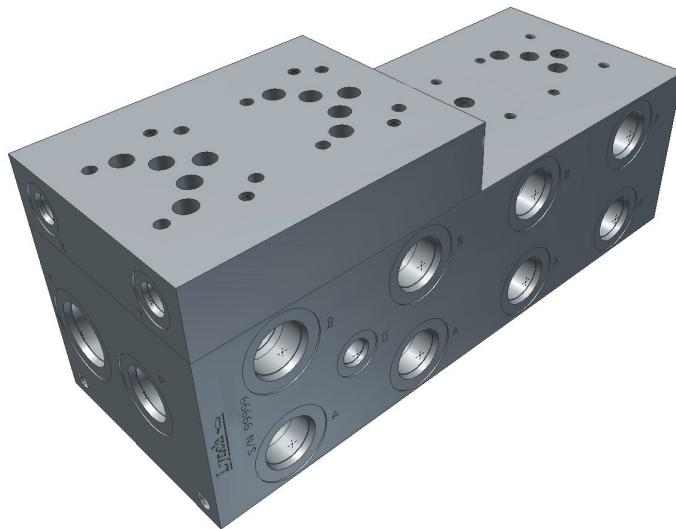
Convert any standard D05 non piloted manifold using the pilot port adapters.
Only order the number of stations you require for your high flow valves.

Reduce your costs and inventory levels with our flexible assemblies.

Example #1: B*05GAH04SFUAAA -Plus- A*05EZV02SCUADAA



Example #2: B*05GPH04SFUAAA -Plus- A*05EZV02SCUADAA

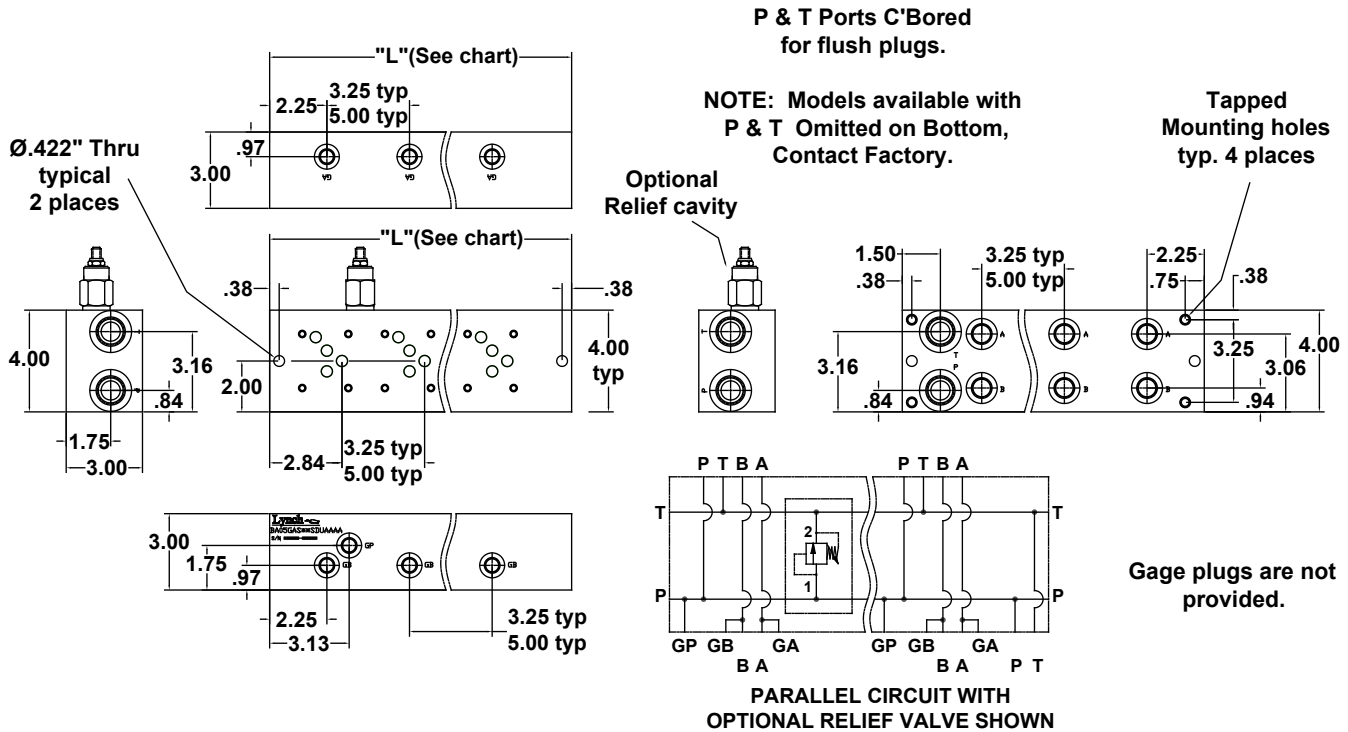


WE RESERVE THE RIGHT TO DISCONTINUE MODELS, OR CHANGE SPECIFICATIONS WITHOUT NOTICE OR INCURRING OBLIGATION

Lynch Products Can Be Modified to Suit Your Application

Phone: 1 (888) 626-4365 or +1 (905) 363-2400 Fax: 1 (800) 263-5807 www.lynch.ca sales@lynch.ca

D05 Standard Flow Bottom Ported Parallel Circuit Manifolds

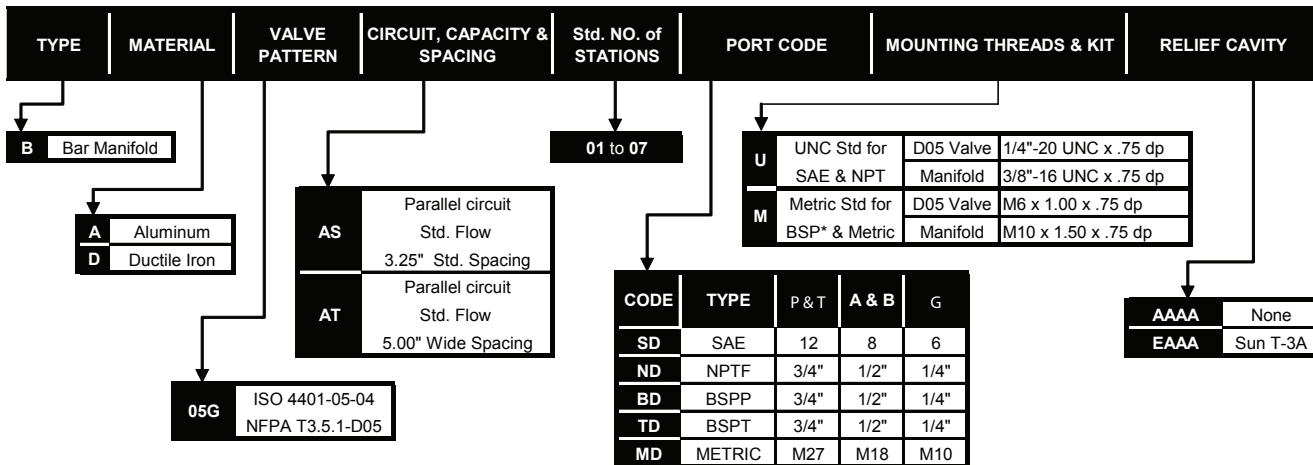


No. of Stations	1	1*	2	3	4	5	6	7	8	9	10	11
Dim. "L", 3.25" spacing	5.38	6.00	8.63	11.88	15.13	18.38	21.63	24.88	28.13	31.38	34.63	37.88
est. weight in lb. - alum	10	12	16	22	28	34	40	46	51	57	63	69
est. weight in lb. - iron	27	30	43	58	74	90	106	122	137	153	169	185
Dim. "L", 5.00" spacing	-	-	10.38	15.38	20.38	25.38	30.38	35.38	-	-	-	-
est. weight in lb. - alum	-	-	19	28	37	46	55	64	-	-	-	-
est. weight in lb. - iron	-	-	51	75	100	124	148	173	-	-	-	-

* DIMENSIONS FOR 1 STATION WITH RELIEF CAVITY & GAUGE PORT
 NO GAUGE PORT SUPPLIED WITH SINGLE STATION MANIFOLD SHADED AREA AVAILABLE ON SPECIAL ORDER ONLY

PART NUMBER SYSTEM

Aluminum D05 with 3.25" Spacing & SAE Porting example: BA05GAS**SFUAAAA

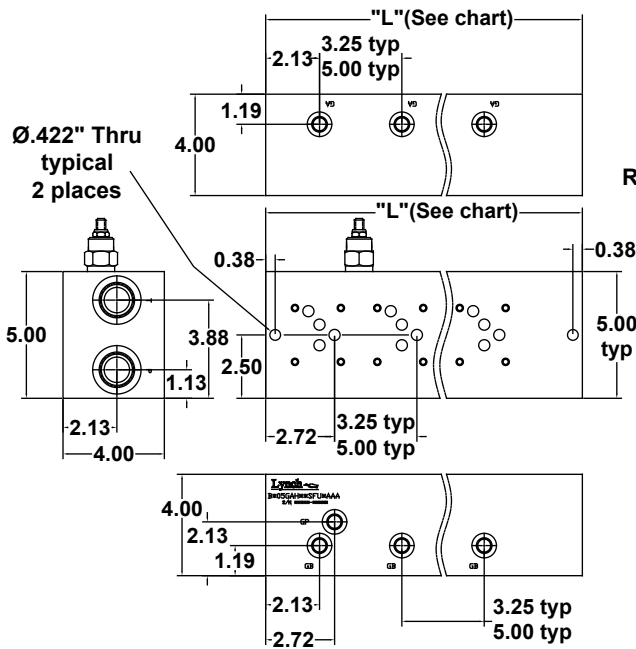


WE RESERVE THE RIGHT TO DISCONTINUE MODELS, OR CHANGE SPECIFICATIONS WITHOUT NOTICE OR INCURRING OBLIGATION

Lynch Products Can Be Modified to Suit Your Application

Phone: 1 (888) 626-4365 or +1 (905) 363-2400 Fax: 1 (800) 263-5807 www.lynch.ca sales@lynch.ca

D05 High Flow Bottom Ported Parallel Circuit Manifold

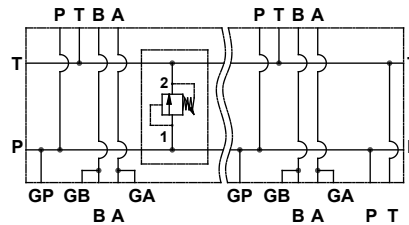
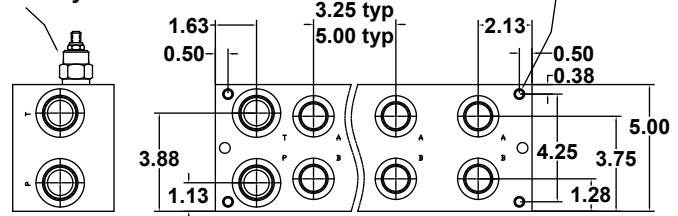


P & T Ports C'Bored for flush plugs.

NOTE: Models available with P & T Omitted on Bottom, Contact Factory.

Tapped Mounting holes typ. 4 places

Optional Relief cavity



Gage plugs are not provided.

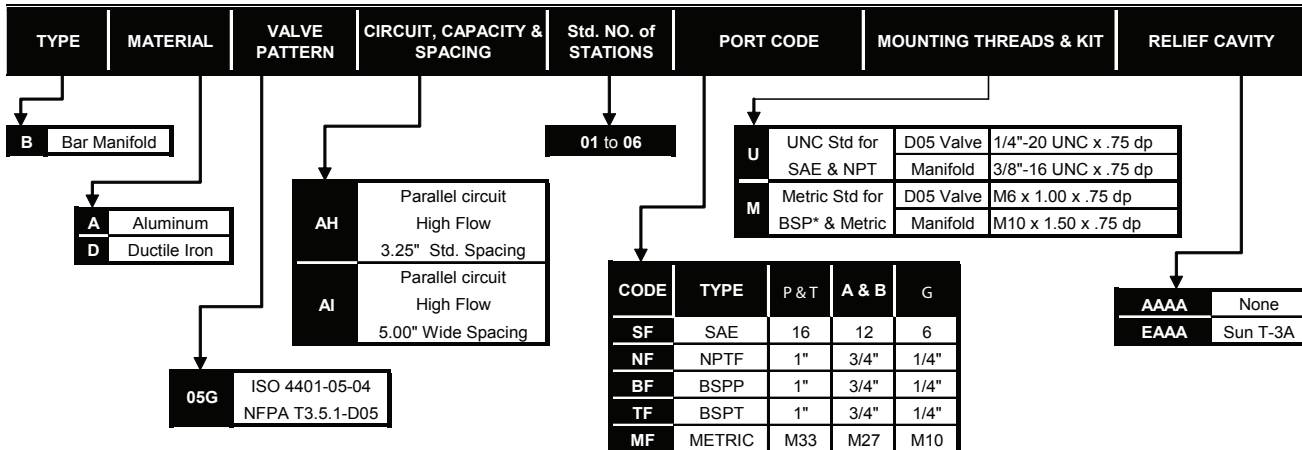
PARALLEL CIRCUIT WITH OPTIONAL RELIEF VALVE SHOWN

No. of Stations	1	1*	2	3	4	5	6	7	8	9	10	11
Dim. "L" 3.25" spacing	6.00	7.00	9.25	12.50	15.75	19.00	22.25	25.50	28.75	32.00	35.25	38.50
est. weight in lb.- alum	12	14	17	23	29	35	41	47	53	58	64	70
est. weight in lb.- iron	30	38	46	62	77	93	109	125	140	156	172	188
Dim. "L" 5.00" spacing	-	-	11.00	16.00	21.00	26.00	31.00	36.00	-	-	-	-
est. weight in lb.- alum	-	-	21	30	39	48	57	66	-	-	-	-
est. weight in lb.- iron	-	-	54	79	103	127	151	176	-	-	-	-

* DIMENSIONS FOR 1 STATION WITH RELIEF CAVITY & GAUGE PORT
 NO GAUGE PORT SUPPLIED WITH SINGLE STATION MANIFOLD SHADED AREA AVAILABLE ON SPECIAL ORDER ONLY

PART NUMBER SYSTEM

Aluminum D05 with 3.25" Spacing & SAE Porting example: BA05GAH**SFUAAAA



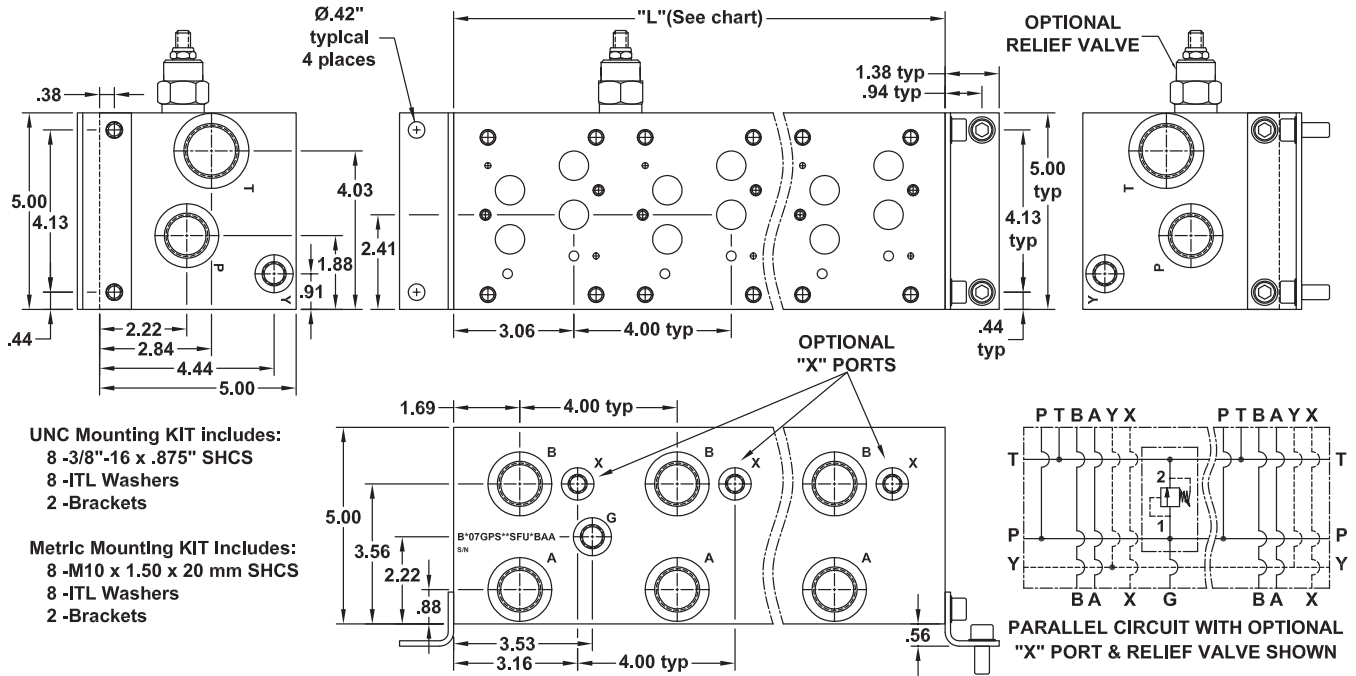
WE RESERVE THE RIGHT TO DISCONTINUE MODELS, OR CHANGE SPECIFICATIONS WITHOUT NOTICE OR INCURRING OBLIGATION

Lynch Products Can Be Modified to Suit Your Application

Phone: 1 (888) 626-4365 or +1 (905) 363-2400 Fax: 1 (800) 263-5807 www.lynch.ca sales@lynch.ca

D07 Standard Flow Parallel Circuit Manifold

(See Page 1.99.01 for Relief Cartridges)



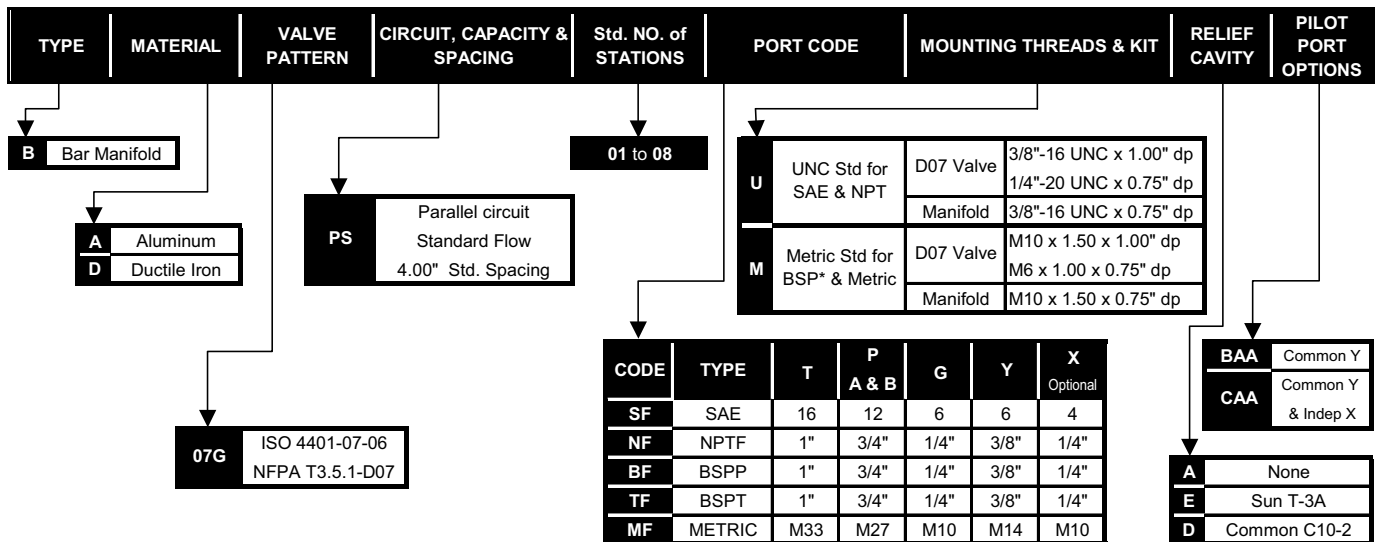
No. of Stations	1	2	3	4	5	6	7	8
Dim. "L", 4.00" spacing	4.50	8.50	12.50	16.50	20.50	24.50	28.50	32.50
est. weight in lb.- alum	9	16	24	31	38	45	52	60
est. weight in lb.- iron	23	42	62	81	101	120	140	159

Notes:

- 1) Isolations on P & T available - See Page 5 for Codes
- 2) Common X port option available - contact factory for P/N
- 3) Larger relief cavities available - contact factory for P/N

PART NUMBER SYSTEM

Aluminum D07 with Common Y and SAE porting example: **BA07GPS**SFUABAA**



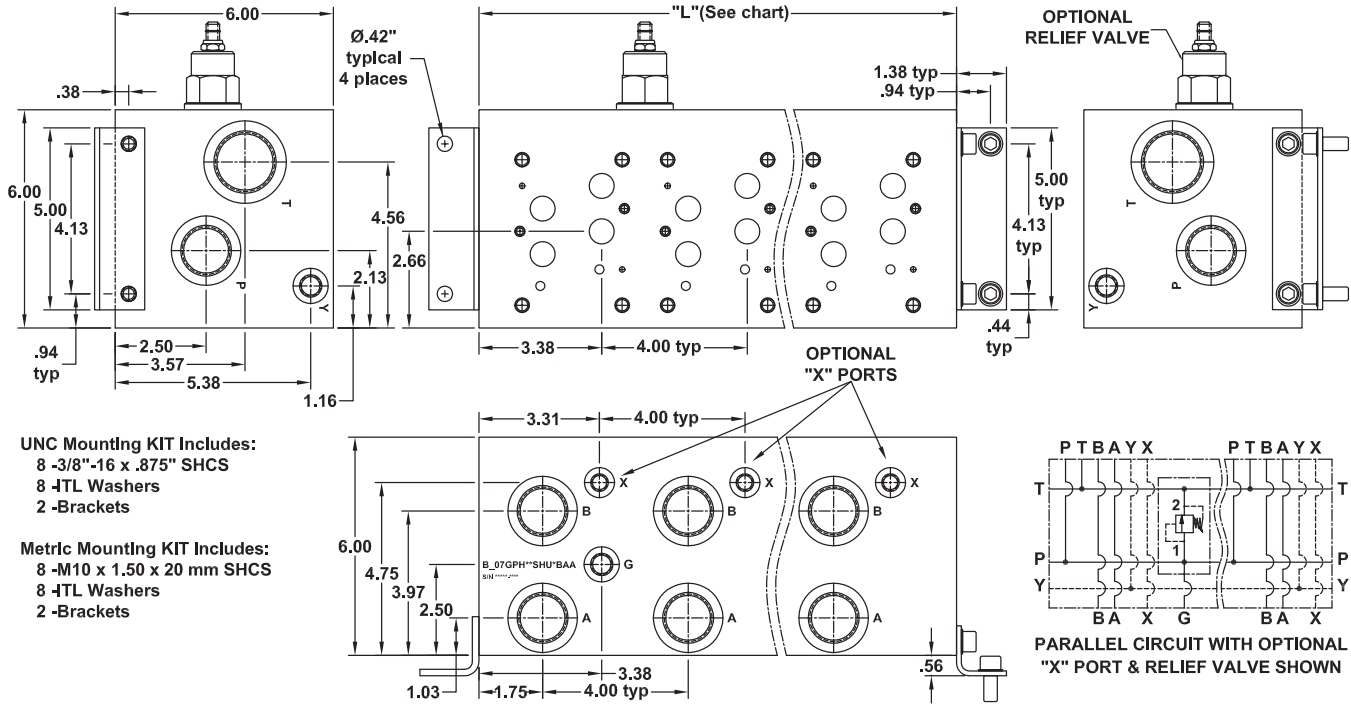
WE RESERVE THE RIGHT TO DISCONTINUE MODELS, OR CHANGE SPECIFICATIONS WITHOUT NOTICE OR INCURRING OBLIGATION

Lynch Products Can Be Modified to Suit Your Application

Phone: 1 (888) 626-4365 or +1 (905) 363-2400 Fax: 1 (800) 263-5807 www.lynch.ca sales@lynch.ca

D07 High Flow Parallel Circuit Manifold

(See Page 1.99.01 for Relief Cartridges)



UNC Mounting KIT Includes:

- 8 -3/8"-16 x .875" SHCS
- 8 -ITL Washers
- 2 -Brackets

Metric Mounting KIT Includes:

- 8 -M10 x 1.50 x 20 mm SHCS
- 8 -ITL Washers
- 2 -Brackets

No. of Stations	1	2	3	4	5	6	7	8	9
Dim. "L", 4.00" spacing	5.13	9.13	13.13	17.13	21.13	25.13	29.13	33.13	37.13
est. weight in lb.- alum	18	31	44	56	69	82	95	108	121
est. weight in lb.- iron	46	81	116	151	186	221	256	291	326

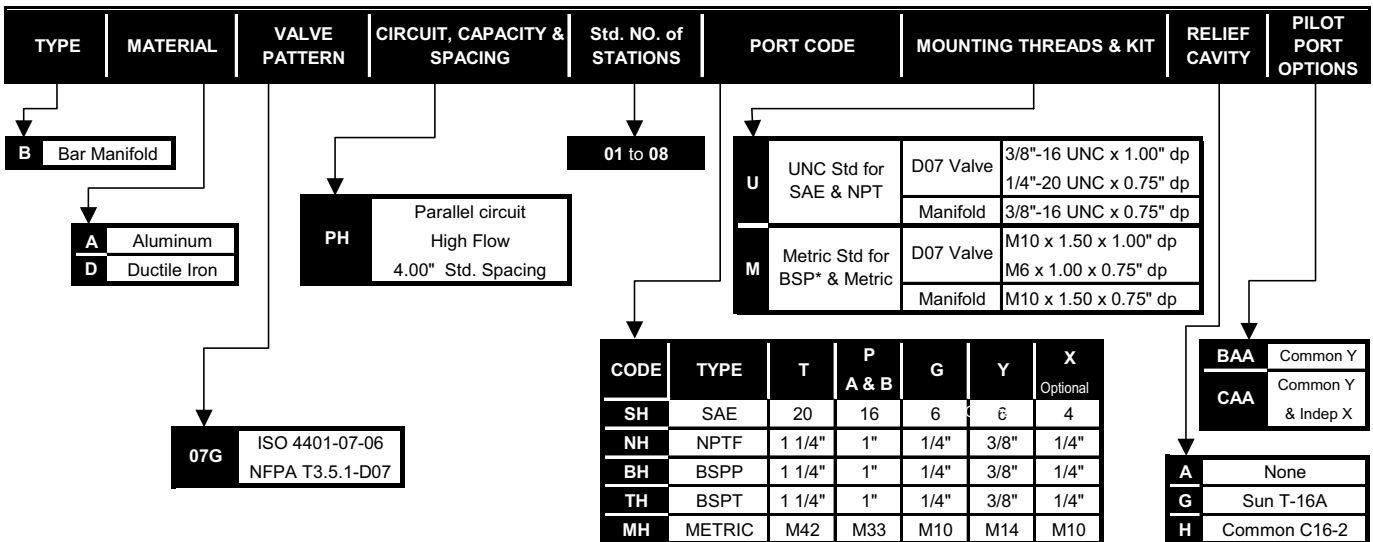
Notes:

- 1) Isolations on P & T available - See Page 5 for Codes
- 2) Common X port available - contact factory for P/N
- 3) Wide Spacing Option - contact factory

SHADED AREA AVAILABLE ON SPECIAL ORDER ONLY

PART NUMBER SYSTEM

Aluminum D07 with Common Y & SAE porting example: **BA07GPH**SHUABAA**



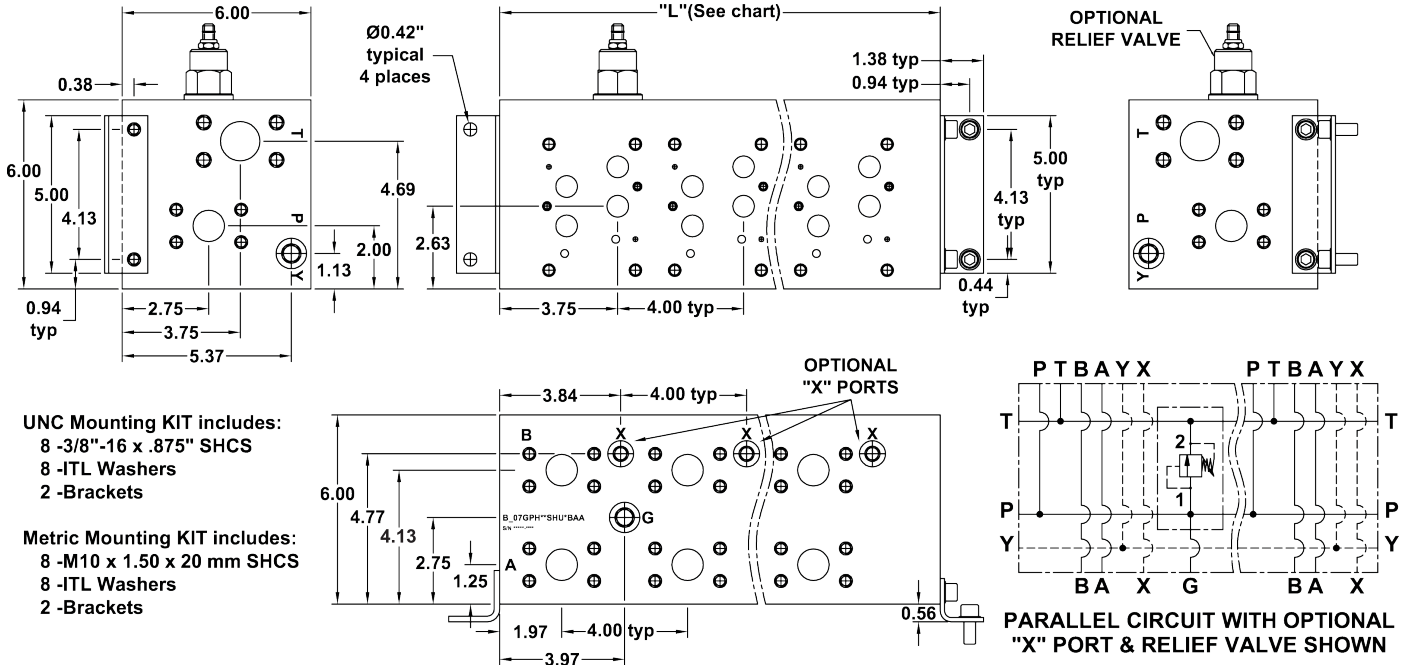
WE RESERVE THE RIGHT TO DISCONTINUE MODELS, OR CHANGE SPECIFICATIONS WITHOUT NOTICE OR INCURRING OBLIGATION

Lynch Products Can Be Modified to Suit Your Application

Phone: 1 (888) 626-4365 or +1 (905) 363-2400 Fax: 1 (800) 263-5807 www.lynch.ca sales@lynch.ca

D07 High Flow Parallel Circuit with Flange Ports

(See Page 1.99.01 for Relief Cartridges)



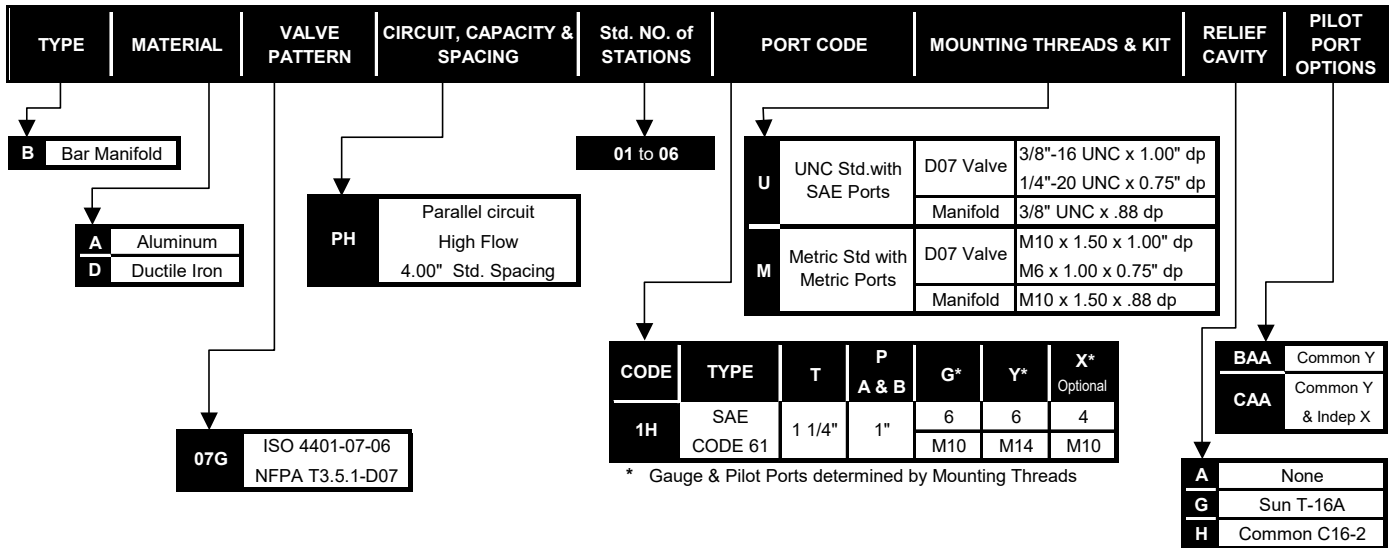
No. of Stations	1	2	3	4	5	6	7	8	9
Dim. "L", 4.00" spacing	6.00	10.00	14.00	18.00	22.00	26.00	30.00	34.00	38.00
est. weight in lb. - alum	20	33	46	59	72	85	98	111	1239
est. weight in lb. - iron	53	103	123	158	193	355	263	298	333

Notes:

- 1) Isolations on P & T available - See Page 5 for Codes
- 2) Common X port option available - contact factory
- 3) Wide Spacing Option - contact factory

PART NUMBER SYSTEM

Aluminum D07 with Common Y & Flange porting example: **BA07GPH**1HUABAA**



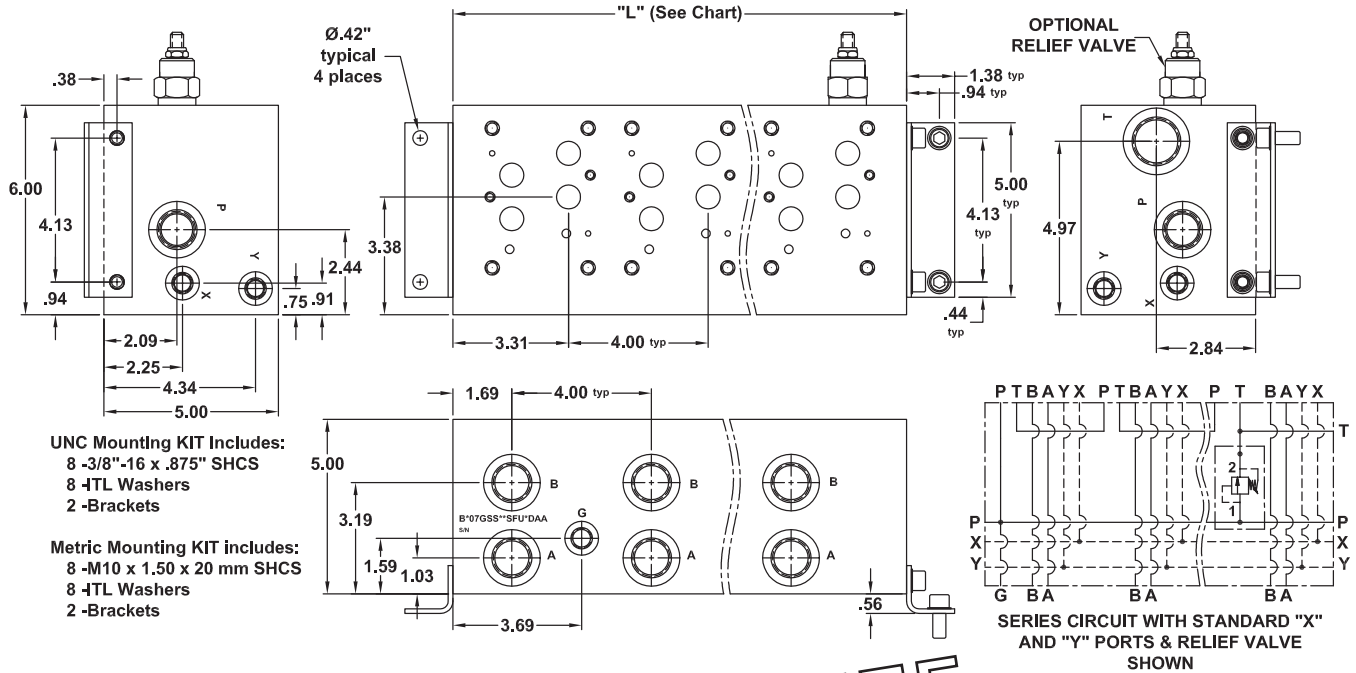
WE RESERVE THE RIGHT TO DISCONTINUE MODELS, OR CHANGE SPECIFICATIONS WITHOUT NOTICE OR INCURRING OBLIGATION

Lynch Products Can Be Modified to Suit Your Application

Phone: 1 (888) 626-4365 or +1 (905) 363-2400 Fax: 1 (800) 263-5807 www.lynch.ca sales@lynch.ca

D07 Standard Flow Series Circuit Manifold

(See Page 1.99.01 for Relief Cartridges)

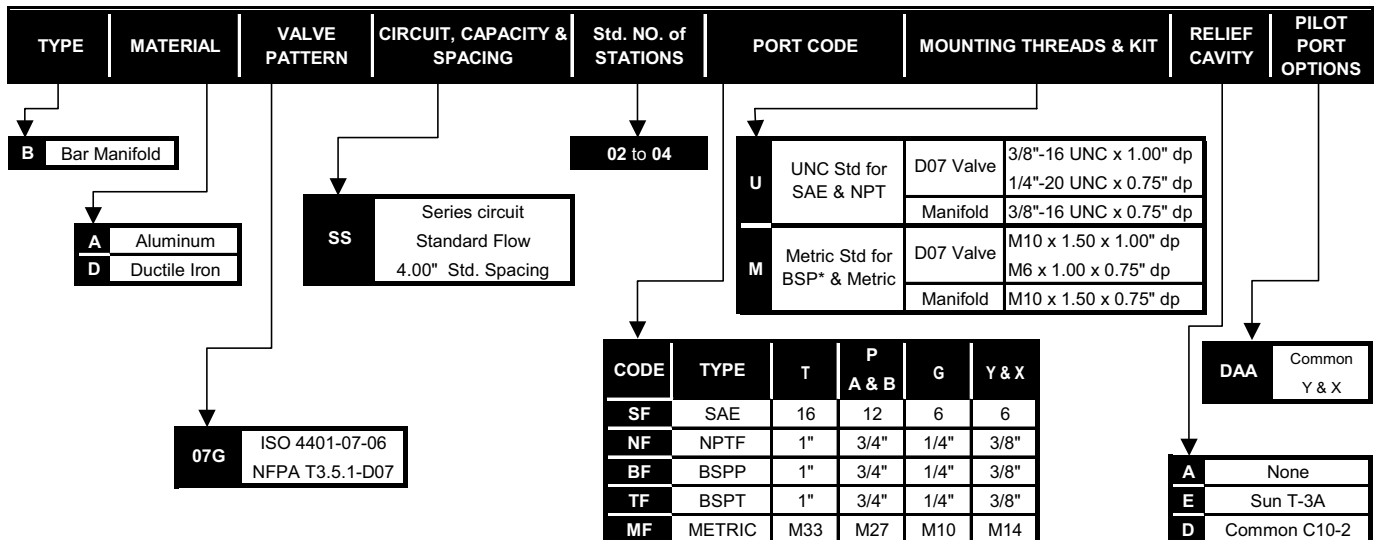


RELIEF
OPTION
AVAILABLE

No. of Stations	2	3	4
Dim. "L", 4.00" spacing	9.00	13.00	17.00
est. weight in lb.- alum	30	43	56
est. weight in lb.- iron	80	115	150

PART NUMBER SYSTEM

Aluminum D07 with Common Y & X and SAE porting example: **BA07GSS**SFUADAA**

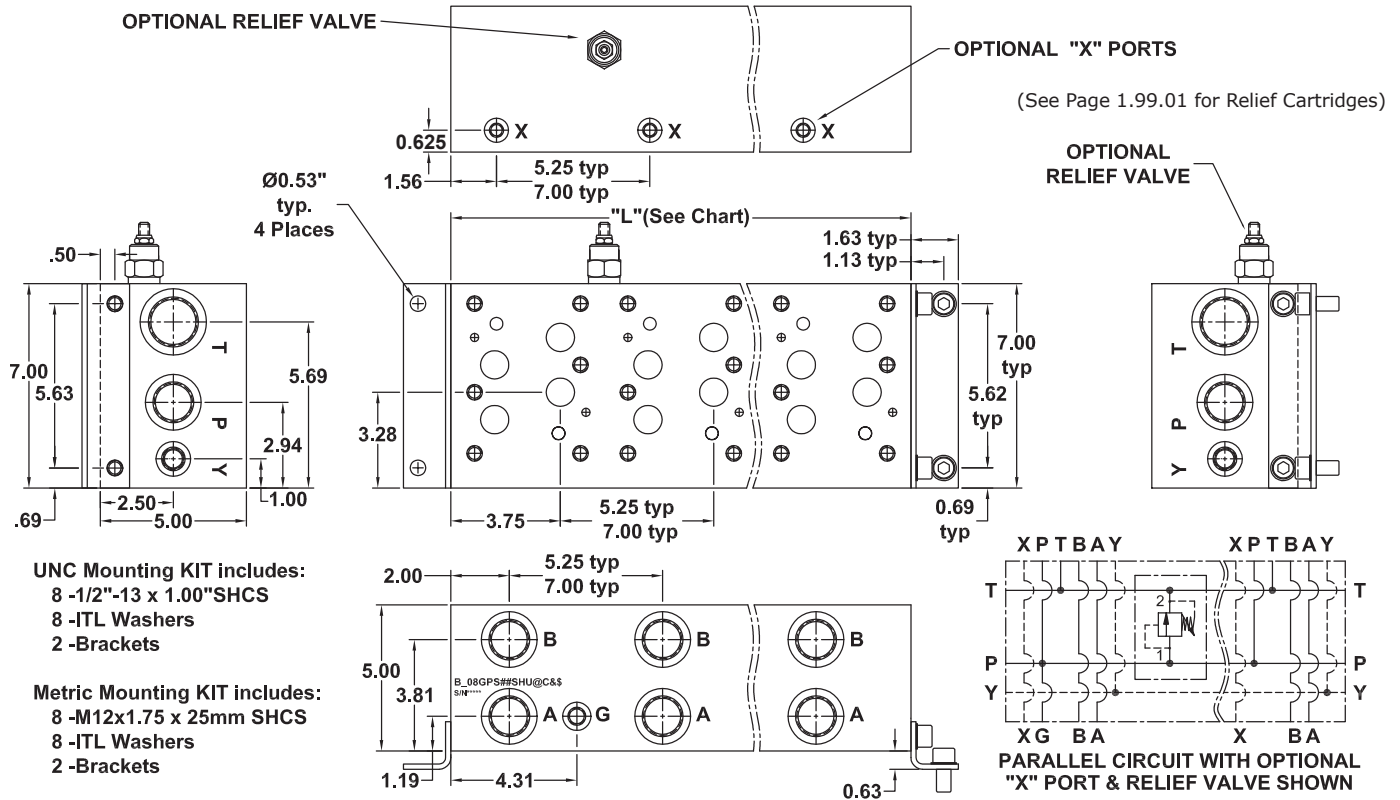


WE RESERVE THE RIGHT TO DISCONTINUE MODELS, OR CHANGE SPECIFICATIONS WITHOUT NOTICE OR INCURRING OBLIGATION

Lynch Products Can Be Modified to Suit Your Application

Phone: 1 (888) 626-4365 or +1 (905) 363-2400 Fax: 1 (800) 263-5807 www.lynch.ca sales@lynch.ca

D08 Standard Flow Parallel Circuit Manifold



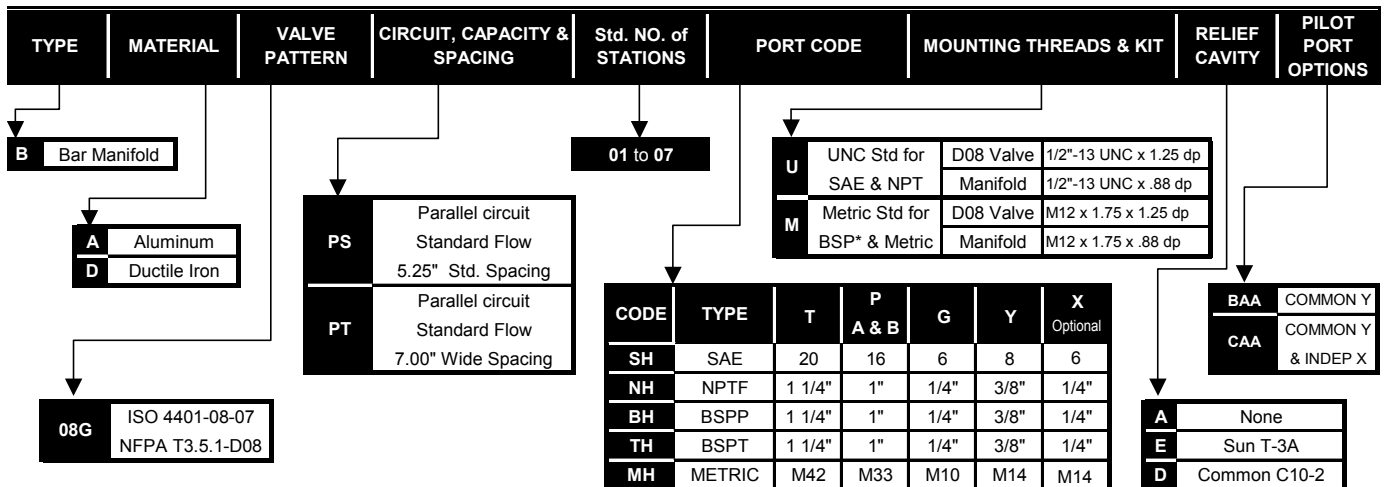
No. of Stations	1	2	3	4	5	6	7
Dim. "L", 5.25" spacing	5.25	10.50	15.75	21.00	26.25	31.50	36.75
est. weight in lb.- alum	17	35	52	70	87	105	122
est. weight in lb.- iron	47	94	141	189	236	283	330
Dim. "L", 7.00" spacing	-	12.25	19.25	26.25	33.25	-	-
est. weight in lb.- alum	-	41	64	87	111	-	-
est. weight in lb.- iron	-	110	173	236	299	-	-

Notes:

- 1) Isolations on P & T available - See Page 5 for Codes
- 2) Common X port option available - contact factory for P/N
- 3) Larger relief cavities available - contact factory for P/N

PART NUMBER SYSTEM

Aluminum D08 with 5.25" spacing, Common Y & SAE porting example: **BA08GPS**SHUABAA**



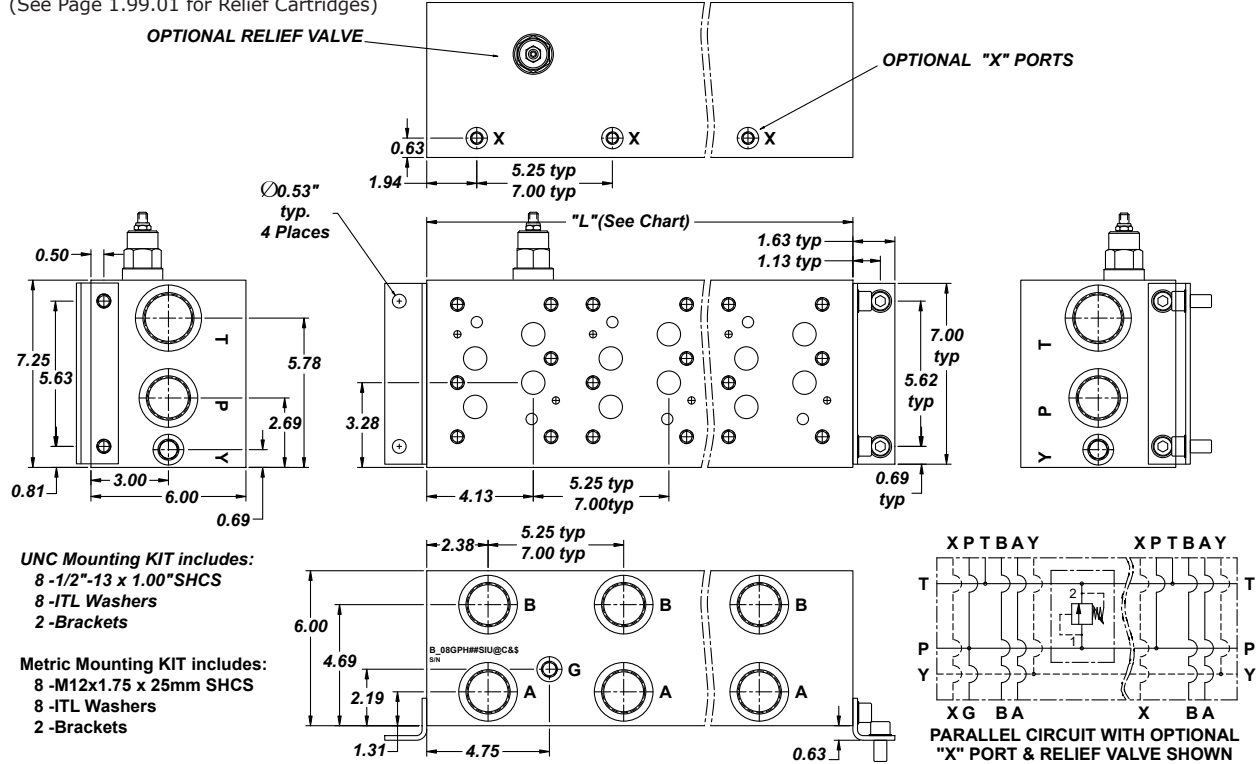
WE RESERVE THE RIGHT TO DISCONTINUE MODELS, OR CHANGE SPECIFICATIONS WITHOUT NOTICE OR INCURRING OBLIGATION

Lynch Products Can Be Modified to Suit Your Application

Phone: 1 (888) 626-4365 or +1 (905) 363-2400 Fax: 1 (800) 263-5807 www.lynch.ca sales@lynch.ca

D08 High Flow Parallel Circuit Manifold

(See Page 1.99.01 for Relief Cartridges)



No. of Stations	1	2	3	4	5	6	7
Dim. "L", 5.25" spacing	6.00	11.25	16.50	21.75	27.00	32.25	37.50
est. weight in lb.- alum	28	52	77	101	126	150	175
est. weight in lb.- iron	75	141	207	273	339	405	471
Dim. "L", 7.00" spacing	-	13.00	20.00	27.00	34.00	-	-
est. weight in lb.- alum	-	61	93	126	158	-	-
est. weight in lb.- iron	-	163	251	339	427	-	-

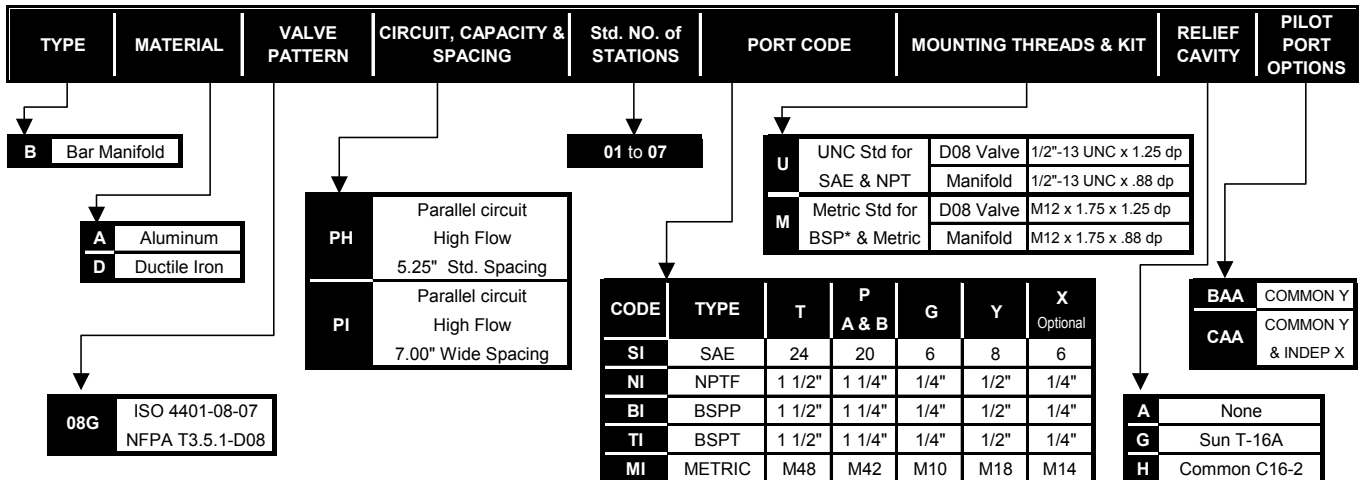
SHADED AREA AVAILABLE
ON SPECIAL ORDER ONLY

Notes:

- 1) Isolations on P & T available - See Page 5 for Codes
- 2) Common X port option available - contact factory for P/N
- 3) Larger relief cavities available - contact factory for P/N

PART NUMBER SYSTEM

Aluminum D08 with 5.25" spacing, Common Y & SAE porting example: **BA08GPH**SIUABAA**



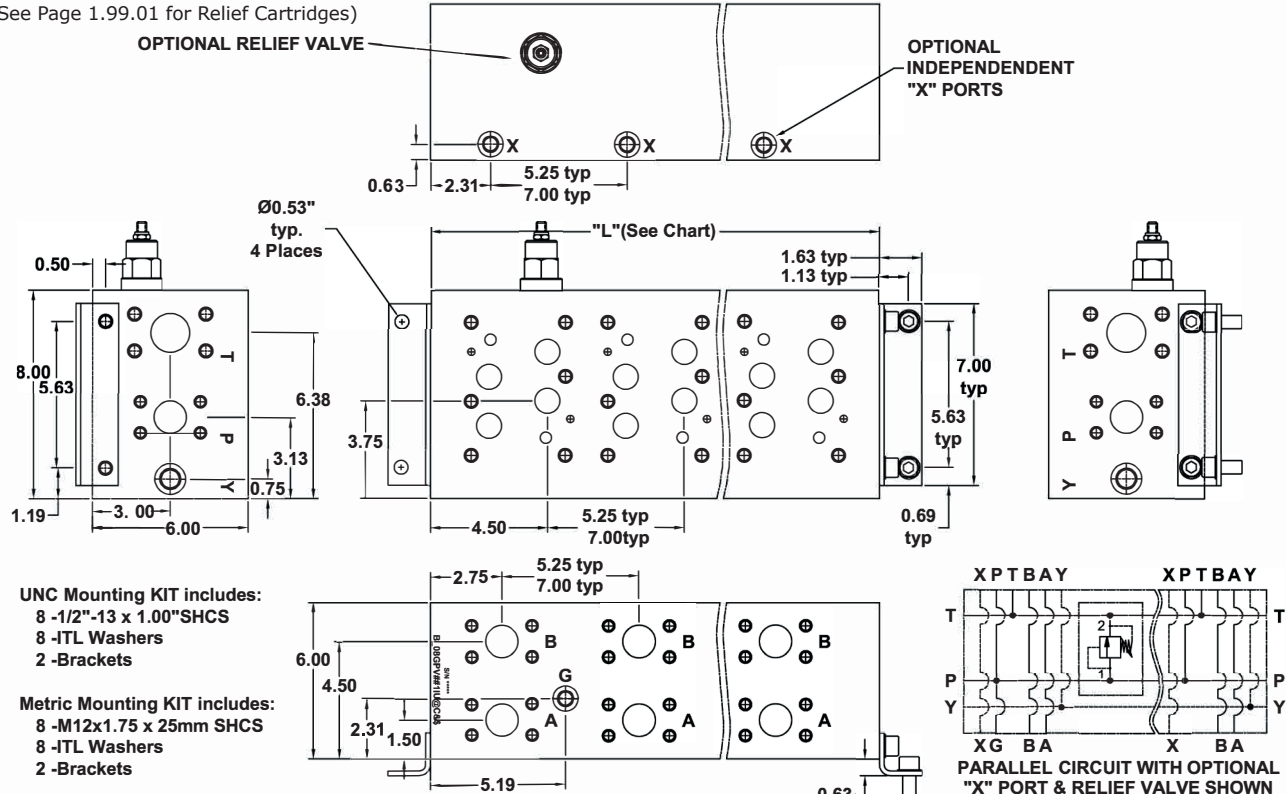
WE RESERVE THE RIGHT TO DISCONTINUE MODELS, OR CHANGE SPECIFICATIONS WITHOUT NOTICE OR INCURRING OBLIGATION

Lynch Products Can Be Modified to Suit Your Application

Phone: 1 (888) 626-4365 or +1 (905) 363-2400 Fax: 1 (800) 263-5807 www.lynch.ca sales@lynch.ca

D08 Very High Flow Parallel Circuit with Flange Ports

(See Page 1.99.01 for Relief Cartridges)



No. of Stations	1	2	3	4	5	6	7
Dim. "L", 5.25" spacing	6.75	12.00	17.25	22.50	27.75	33.00	38.25
est. weight in lb. - alum	31	55	79	103	127	150	174
est. weight in lb. - iron	83	148	212	277	342	406	471
Dim. "L", 7.00" spacing	-	13.75	20.75	27.75	34.75	-	-
est. weight in lb. - alum	-	63	95	127	158	-	-
est. weight in lb. - iron	-	169	255	342	428	-	-

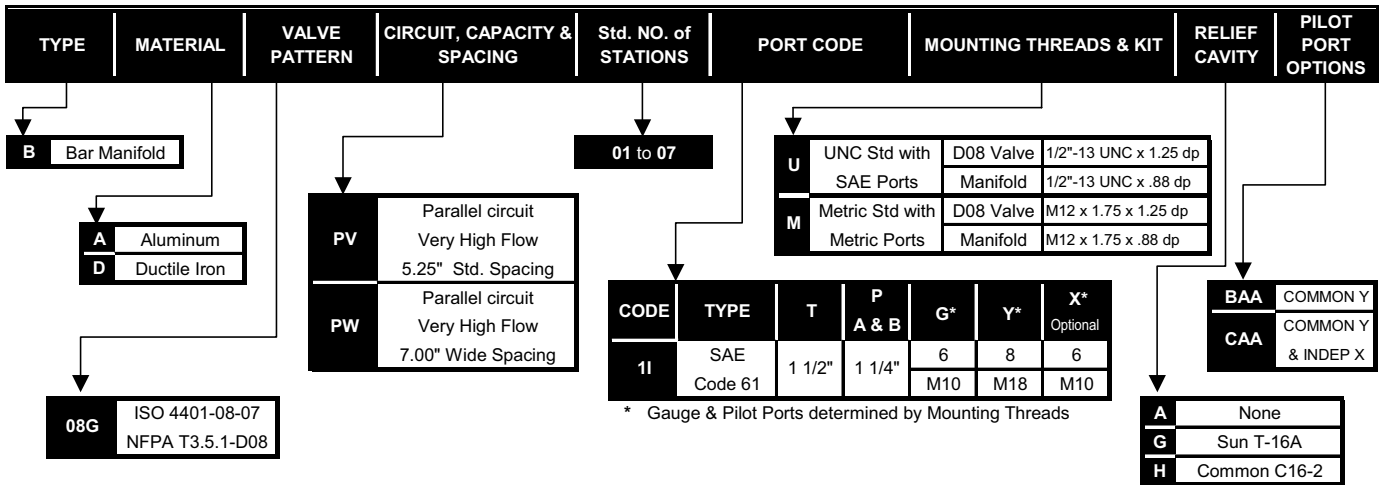
SHADED AREA AVAILABLE ON SPECIAL ORDER ONLY

Notes:

- 1) Isolations on P & T available - See Page 5 for Codes
- 2) Common X port option available - contact factory for P/N
- 3) Larger relief cavities available - contact factory for P/N

PART NUMBER SYSTEM

Aluminum D08 with 5.25" spacing, Common Y & Flange porting example: **BA08GPV**1IUABAA**



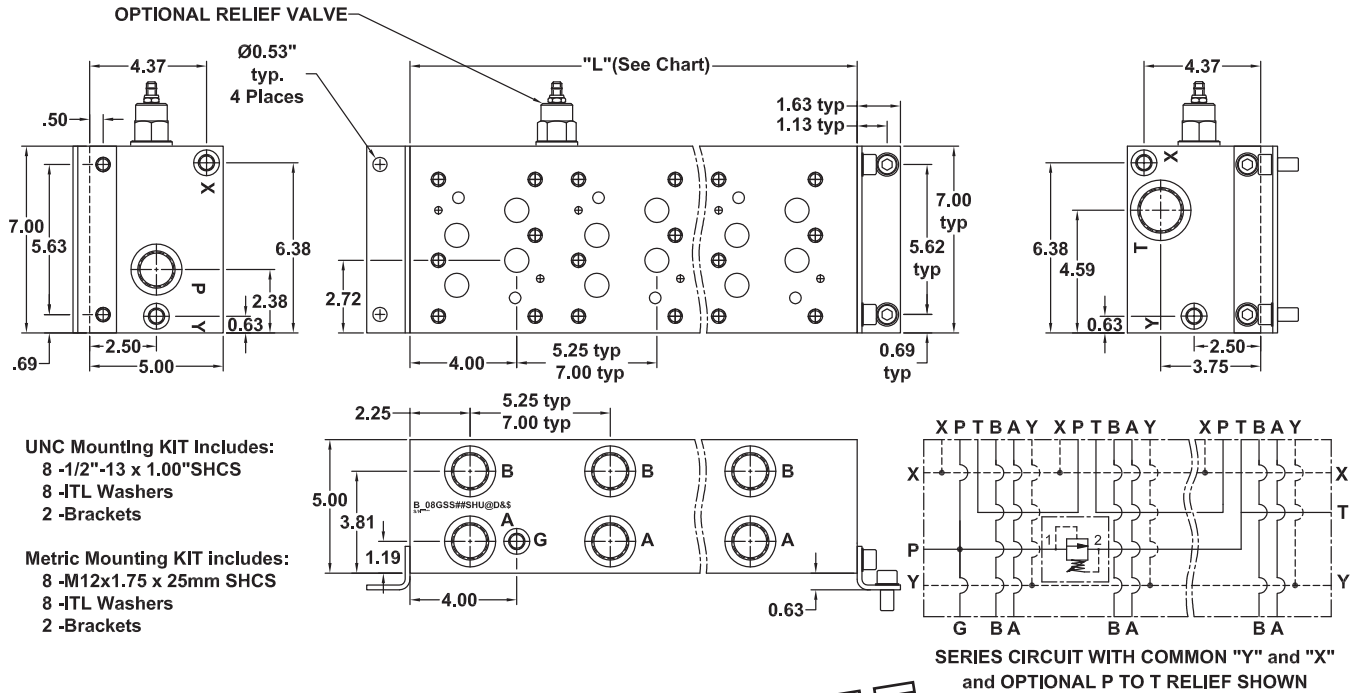
WE RESERVE THE RIGHT TO DISCONTINUE MODELS, OR CHANGE SPECIFICATIONS WITHOUT NOTICE OR INCURRING OBLIGATION

Lynch Products Can Be Modified to Suit Your Application

Phone: 1 (888) 626-4365 or +1 (905) 363-2400 Fax: 1 (800) 263-5807 www.lynch.ca sales@lynch.ca

D08 Standard Flow Series Circuit Manifold

(See Page 1.99.01 for Relief Cartridges)



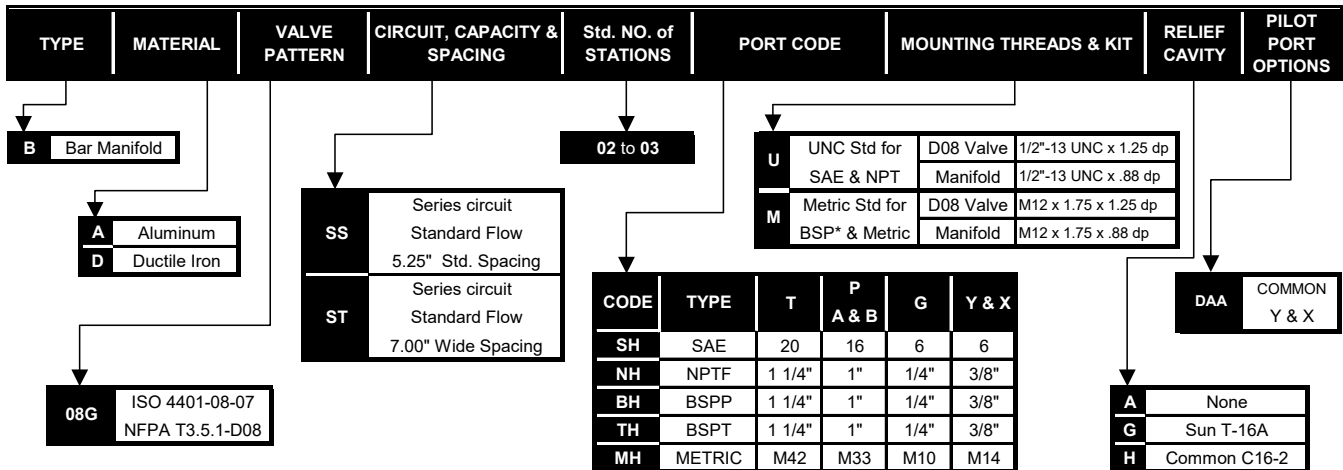
RELIEF
OPTION
AVAILABLE

No. of Stations	2	3	4
Dim. "L", 5.25" spacing	11.50	16.75	22.00
est. weight in lb.- alum	38	56	73
est. weight in lb.- iron	103	150	198
Dim. "L", 7.00" spacing	13.25	20.25	27.25
est. weight in lb.- alum	44	67	91
est. weight in lb.- iron	119	182	245

SHADED AREA AVAILABLE
ON SPECIAL ORDER ONLY

PART NUMBER SYSTEM

Aluminum D08 with 5.25" spacing, Common Y & X and SAE porting example: **BA08GSS**SHUADAA**

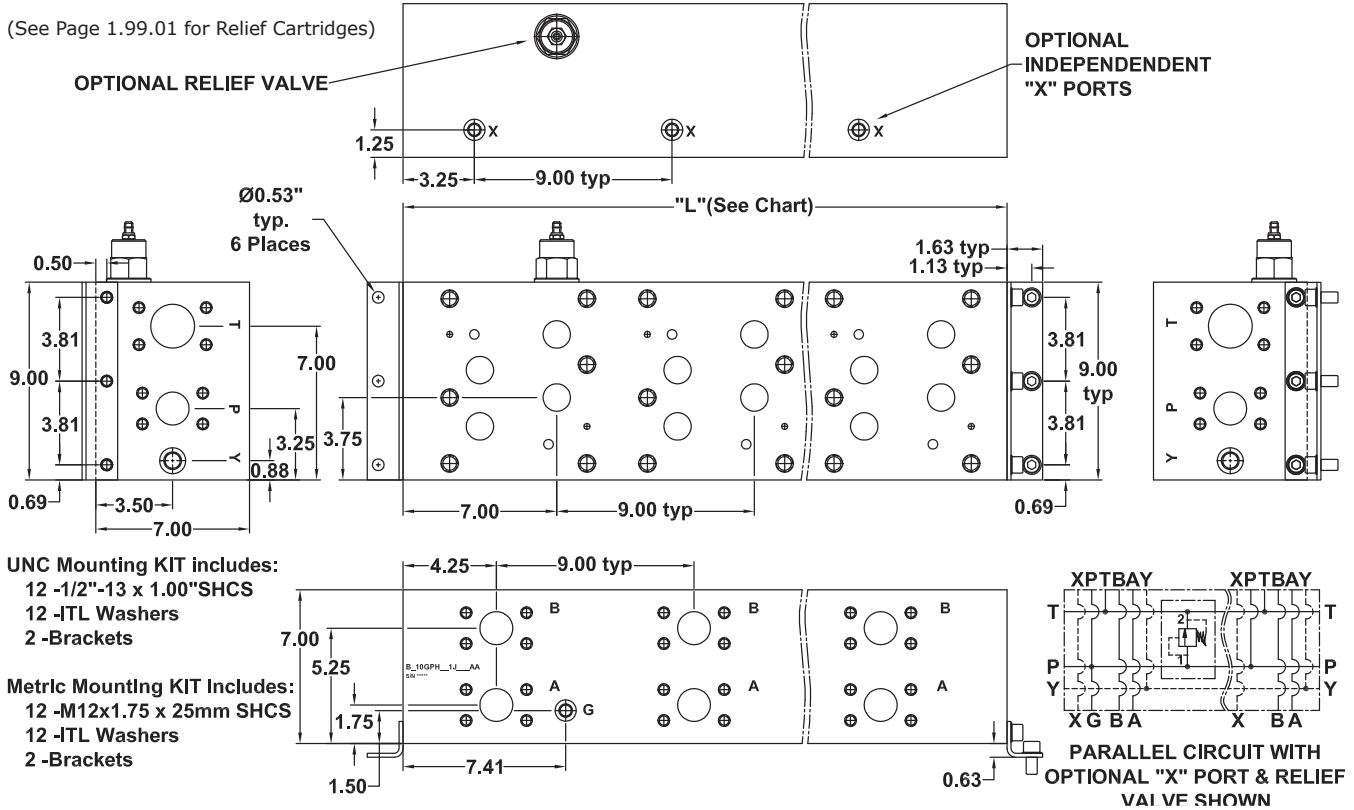


WE RESERVE THE RIGHT TO DISCONTINUE MODELS, OR CHANGE SPECIFICATIONS WITHOUT NOTICE OR INCURRING OBLIGATION

Lynch Products Can Be Modified to Suit Your Application

Phone: 1 (888) 626-4365 or +1 (905) 363-2400 Fax: 1 (800) 263-5807 www.lynch.ca sales@lynch.ca

D10 High Flow Parallel Circuit with Flange Ports



No. of Stations	1	2	3	4
Dim. "L", 9.00" spacing	10.00	19.00	28.00	37.00
est. weight in lb. - alum	46	87	128	169
est. weight in lb. - iron	123	234	345	456

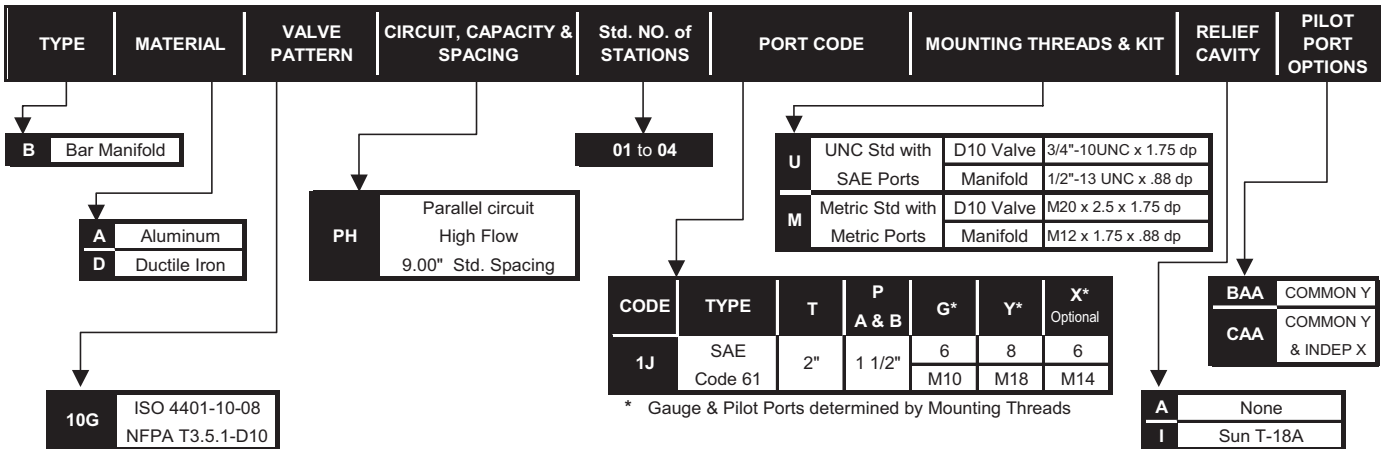
SHADED AREA AVAILABLE ON SPECIAL ORDER ONLY

Notes:

- 1) Isolations on P & T available - See Page 5 for Codes
- 2) Common X port option available - contact factory for P/N
- 3) Wide Spacing Option - contact factory

PART NUMBER SYSTEM

Aluminum D10 with 9.00" spacing, Common Y & Flange porting example: BA10GPH**1JUABAA



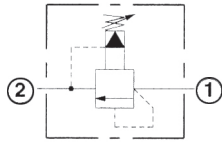
WE RESERVE THE RIGHT TO DISCONTINUE MODELS, OR CHANGE SPECIFICATIONS WITHOUT NOTICE OR INCURRING OBLIGATION

Lynch Products Can Be Modified to Suit Your Application

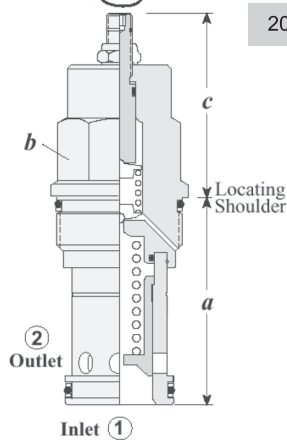
Phone: 1 (888) 626-4365 or +1 (905) 363-2400 Fax: 1 (800) 263-5807 www.lynch.ca sales@lynch.ca

Sun Hydraulics Relief Valves

PILOT OPERATED RELIEF VALVES



Full Adjustment 5 Turns



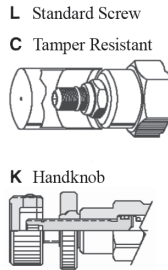
CAPACITY	MODEL CODE	CAVITY	CARTRIDGE DIMENSIONS					INSTALLATION TORQUE (lb/ft)
			a	b	L	C	K	
12 GPM	RPCC - LAN	T - 162A	1.22	3/4"	2.11	2.17	2.31	25/30
25 GPM	RPEC - LAN	T - 10A	1.56	7/8"	2.00	2.06	2.25	30/35
50 GPM	RPGC - LAN	T - 3A	1.88	1 1/8"	2.12	2.18	2.38	45/50
100 GPM	RPIC - LAN	T - 16A	2.44	1 1/4"	2.44	2.47	2.69	150/160
200 GPM	RPKC - LAN	T - 18A	3.13	1 5/8"	2.81	2.94	3.06	350/375

RP * C - * * *

Nominal Capacity

C 12 GPM*
E 25 GPM
G 50 GPM
I 100 GPM
K 200 GPM

Control**



Adjustment Range

A 100 - 3000 psi
B 50 - 1500 psi
C 150 - 6000 psi
N 60 - 800 psi
Q 60 - 400 psi
W 150 - 4500 psi

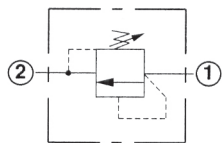
Seal

N Buna - N
V Viton

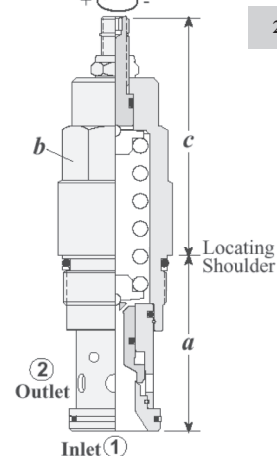
Adjustment Range Options:

A, B, C, and W are standard set at 1000 psi
N Option is standard set at 400 psi
Q Option is standard set at 200 psi
* Minimum setting 75 psi on all ranges
Customer may specify pressure setting.

DIRECT ACTING RELIEF VALVES



Full Adjustment 5 Turns



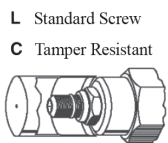
CAPACITY	MODEL CODE	CAVITY	CARTRIDGE DIMENSIONS				INSTALLATION TORQUE (lb/ft)
			a	b	L	C	
12 GPM	RDBA - LAN	T - 162A	1.22	3/4"	2.11	2.17	25/30
25 GPM	RDDA - LAN	T - 10A	1.56	7/8"	2.38	2.44	30/35
50 GPM	RDEA - LAN	T - 3A	1.88	1 1/8"	2.50	2.56	45/50
100 GPM	RDHA - LAN	T - 16A	2.44	1 1/4"	3.25	3.31	150/160
200GPM	RDJA - LAN	T - 18A	3.13	1 5/8"	3.94	4.07	350/375

RD * A - * * *

Nominal Capacity

B 12 GPM
D 25 GPM
F 50 GPM
H 100 GPM
J 200 GPM

Control**



Adjustment Range

A 500 - 3000 psi
B 300 - 1500 psi
C 1000 - 6000 psi
D 200 - 800 psi
E 100 - 400 psi
S 50 - 200 psi
W 1000 - 4500 psi

Seal

N Buna - N
V Viton

Adjustment Range Options:

A, B, C, and W are standard set at 1000 psi
D Option is standard set at 400 psi
E Option is standard set at 200 psi
S Option is standard set at 100 psi
Customer may specify pressure setting.

U.S. Patent #4,742,846
European Patent Pending

Note: Sun's stainless steel passivated product line is growing.

If you are interested in a stainless option for a model which is not shown please contact Lynch Fluid Controls Inc.

WE RESERVE THE RIGHT TO DISCONTINUE MODELS, OR CHANGE SPECIFICATIONS WITHOUT NOTICE OR INCURRING OBLIGATION

Lynch Products Can Be Modified to Suit Your Application

Phone: 1 (888) 626-4365 or +1 (905) 363-2400 Fax: 1 (800) 263-5807 www.lynch.ca sales@lynch.ca

Product Tips and Features

Tapping Plates

Tapping Plates are sandwich adapters designed to provide a means to easily take pressure readings from the work ports.

1. Standard materials are Aluminum and Ductile Iron. Other materials including Mild Steel or Stainless Steel are optionally available.
2. Special Finishes including Black Oxide, Electroless Nickel Plating or Anodizing are optionally available.
3. Clearance holes are designed to accommodate either UNC or Metric interface fasteners.
4. Standard Connection Points are P & A, P & B, P & T, and A & B for all solenoid interfaces up to D08 size.
5. Standard Connection Points for P, A, B & T ports are available for D07, D08 & D10 sizes. D05 size is available on request.
6. Nominal ¼" Connection Points for test points as shown are Standard. Larger port sizes for higher flows are available on request.
7. Viton O rings and locating pins are supplied as standard.
8. Tapping Plates for Servo Valves are available. Please contact Factory for Part Numbers.
9. Special Tapping Plates can be ordered for external pressure connections from a secondary pressure source. Please contact factory for Part Number and availability.

WE RESERVE THE RIGHT TO DISCONTINUE MODELS, OR CHANGE SPECIFICATIONS WITHOUT NOTICE OR INCURRING OBLIGATION

Lynch Products Can Be Modified to Suit Your Application

Phone: 1 (888) 626-4365 or + 1 (905) 363-2400 Fax: 1 (800) 263-5807 www.lynch.ca sales@lynch.ca

Index

Tapping Plates

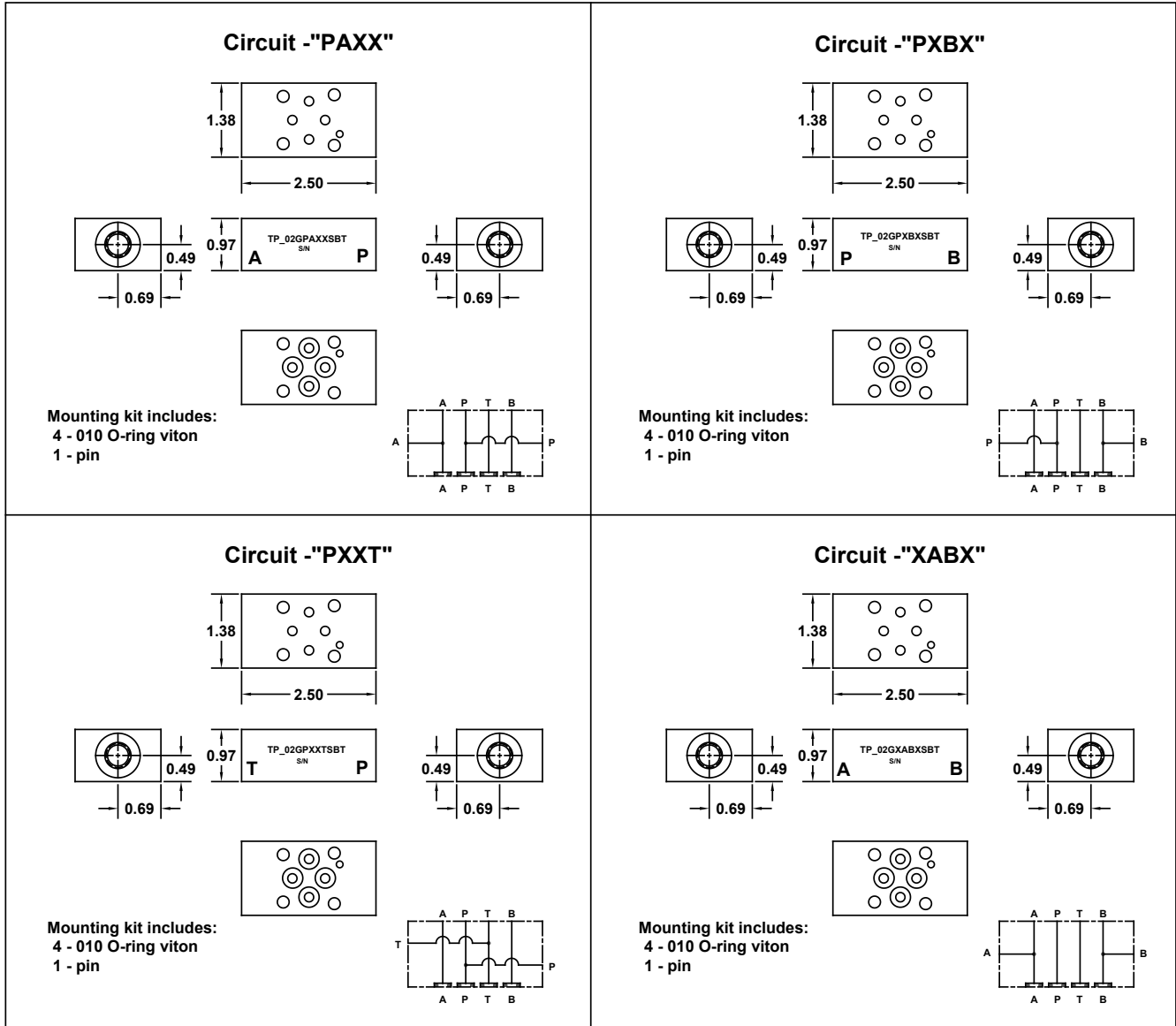
D02 Tapping Plates	2.01.01
D03 Tapping Plates	2.02.01
D05 Tapping Plates	2.03.01
D05H Tapping Plates.....	2.03.02
D05HE Tapping Plates	2.03.03
D07 Tapping Plates	2.04.01
D08 Tapping Plates	2.05.01
D07, D08 & D10 “P, A, B & T” Tapping Plates.....	2.06.01
Test Points.....	2.99.01
Oversized Ports (Full Flow)	Consult Factory
Servo Interfaces Tapping Plates	Consult Factory
2 Speed Sandwich Tapping Plates.....	Consult Factory

WE RESERVE THE RIGHT TO DISCONTINUE MODELS, OR CHANGE SPECIFICATIONS WITHOUT NOTICE OR INCURRING OBLIGATION

Lynch Products Can Be Modified to Suit Your Application

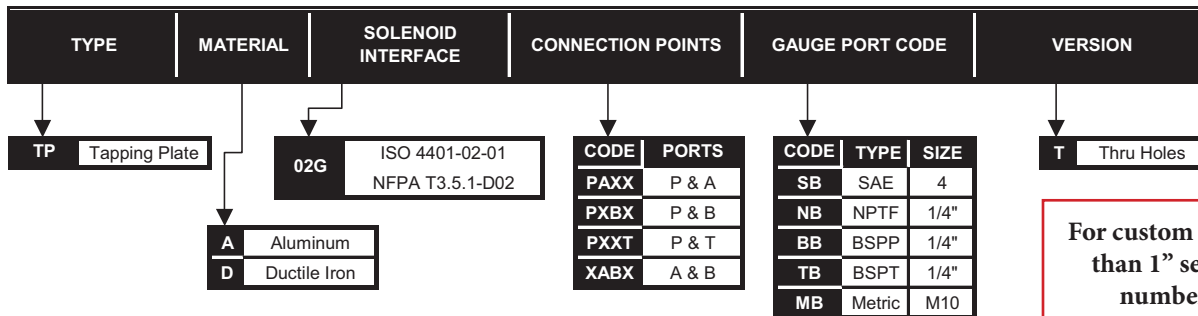
Phone: 1 (888) 626-4365 or + 1 (905) 363-2400 Fax: 1 (800) 263-5807 www.lynch.ca sales@lynch.ca

D02 Tapping Plates



PART NUMBER SYSTEM

Aluminum D02 Tapping Plate with SAE 4 Gauge Ports on A & B Example : **TPA02GXABXS**



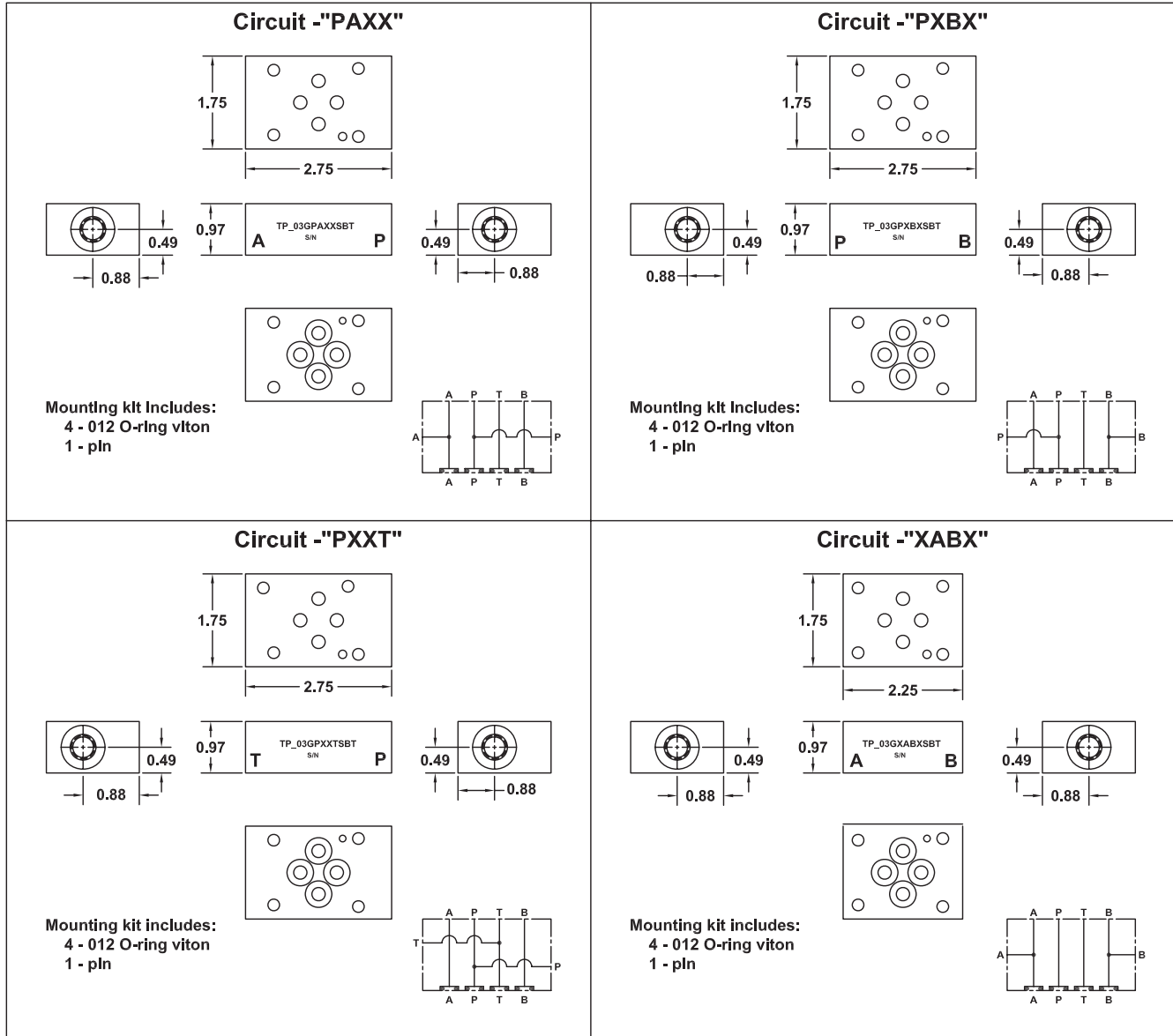
For custom height greater than 1" see data sheet number **2.99.01**

WE RESERVE THE RIGHT TO DISCONTINUE MODELS, OR CHANGE SPECIFICATIONS WITHOUT NOTICE OR INCURRING OBLIGATION

Lynch Products Can Be Modified to Suit Your Application

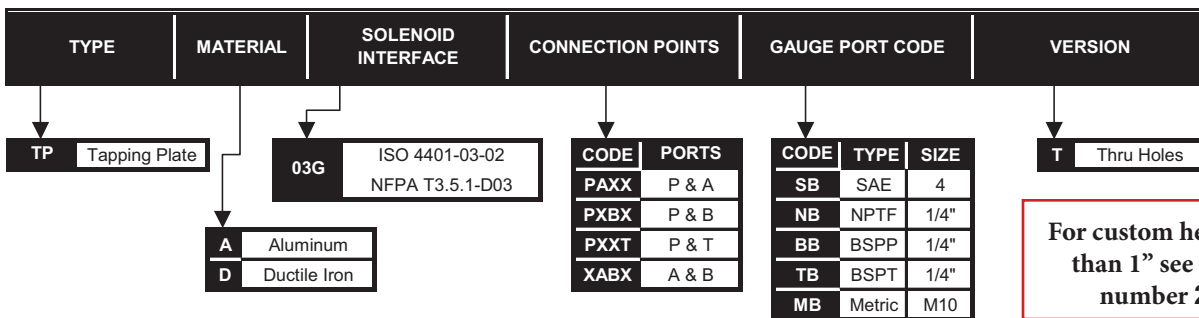
Phone: 1 (888) 626-4365 or +1 (905) 363-2400 Fax: 1 (800) 263-5807 www.lynch.ca sales@lynch.ca

D03 Tapping Plates



PART NUMBER SYSTEM

Aluminum D03 Tapping Plate with SAE 4 Gauge Ports on A & B Example : **TPA03GXABXSBT**



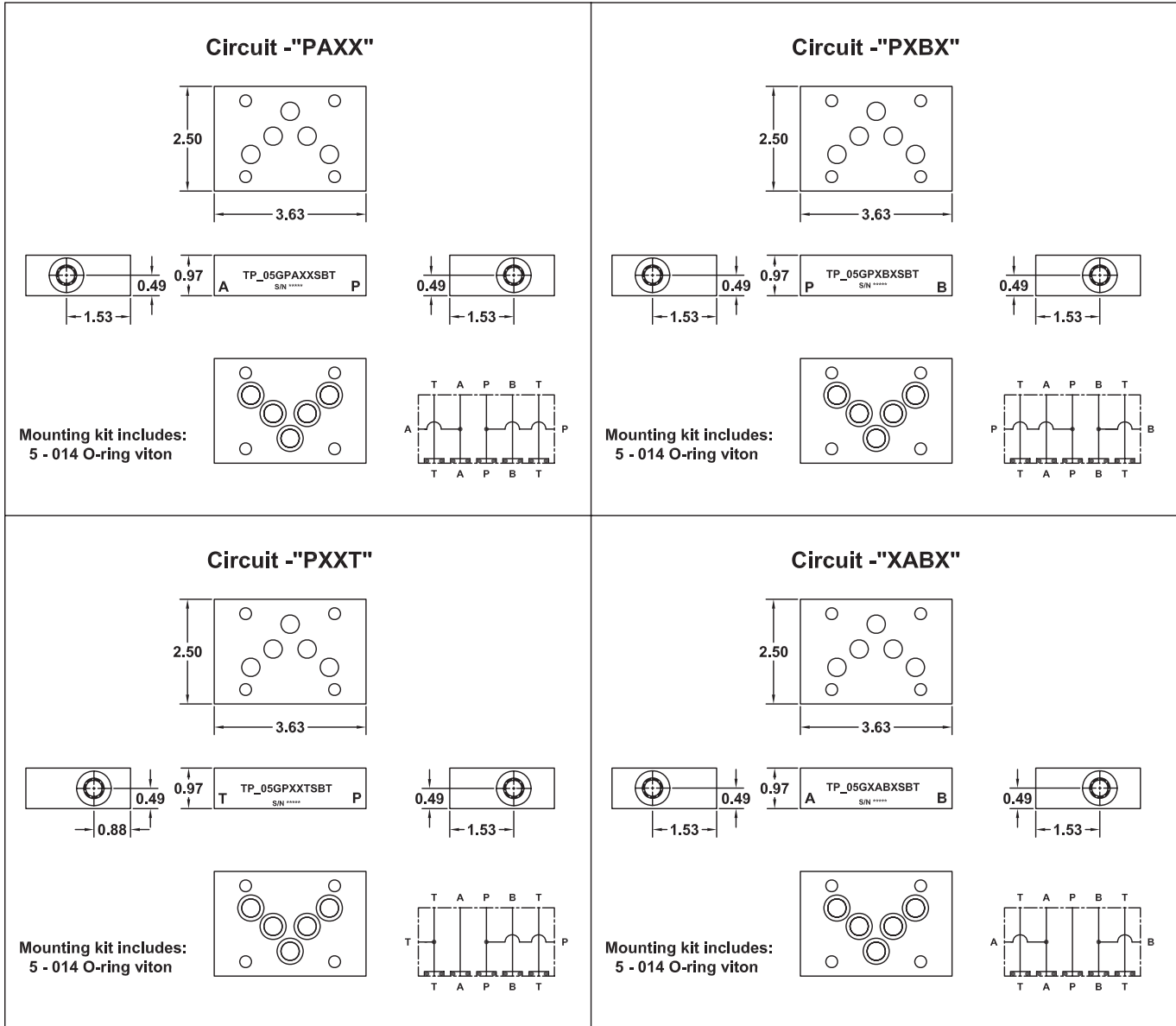
For custom height greater than 1" see data sheet number 2.99.01

WE RESERVE THE RIGHT TO DISCONTINUE MODELS, OR CHANGE SPECIFICATIONS WITHOUT NOTICE OR INCURRING OBLIGATION

Lynch Products Can Be Modified to Suit Your Application

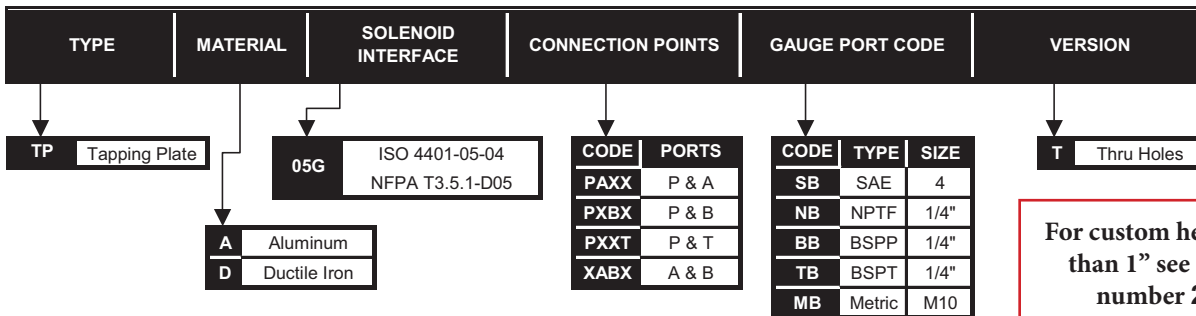
Phone: 1 (888) 626-4365 or +1 (905) 363-2400 Fax: 1 (800) 263-5807 www.lynch.ca sales@lynch.ca

D05 Tapping Plates



PART NUMBER SYSTEM

Aluminum D05 Tapping Plate with SAE 4 Gauge Ports on A & B Example : **TPA05GXABXSBT**



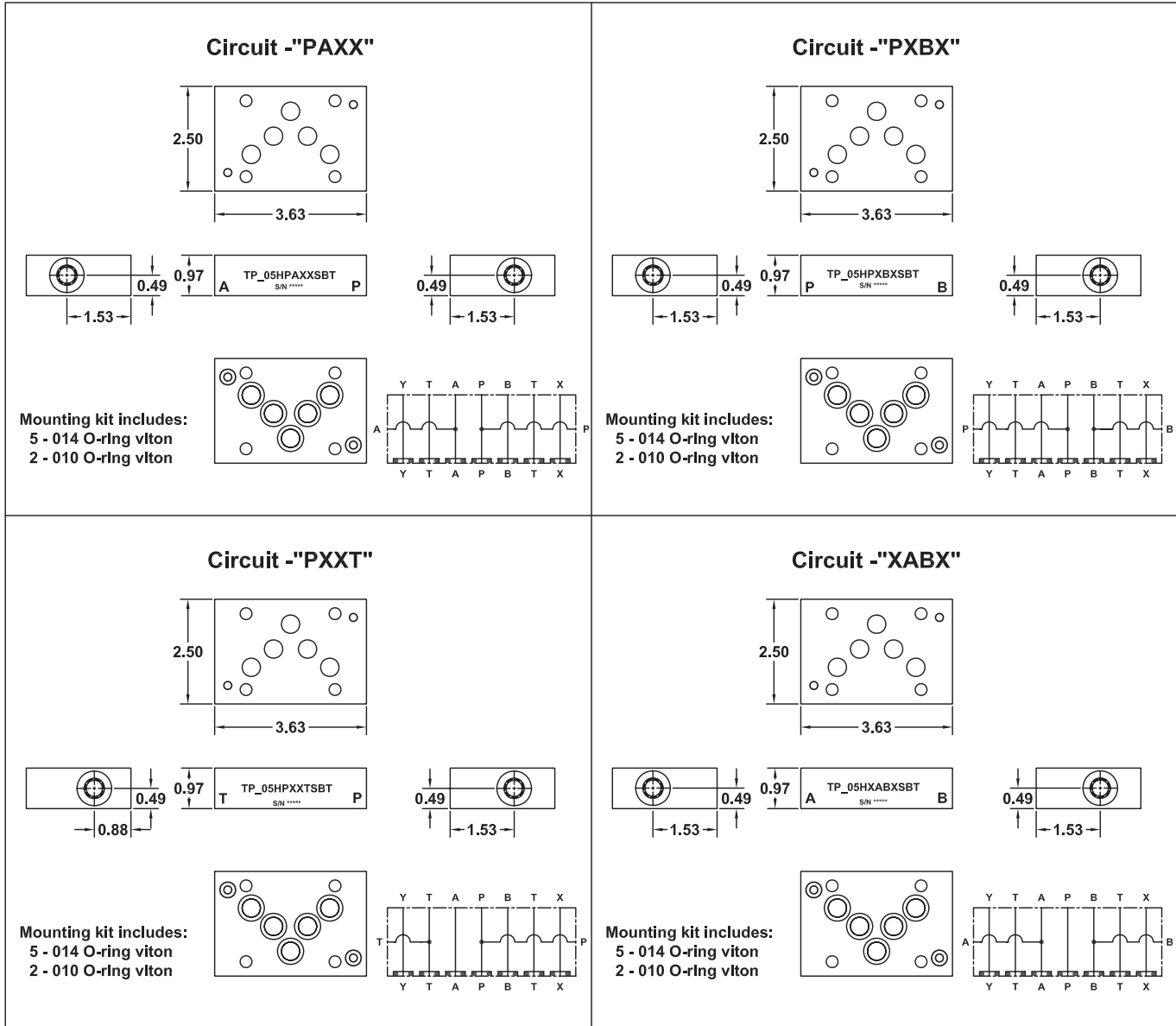
For custom height greater than 1" see data sheet number **2.99.01**

WE RESERVE THE RIGHT TO DISCONTINUE MODELS, OR CHANGE SPECIFICATIONS WITHOUT NOTICE OR INCURRING OBLIGATION

Lynch Products Can Be Modified to Suit Your Application

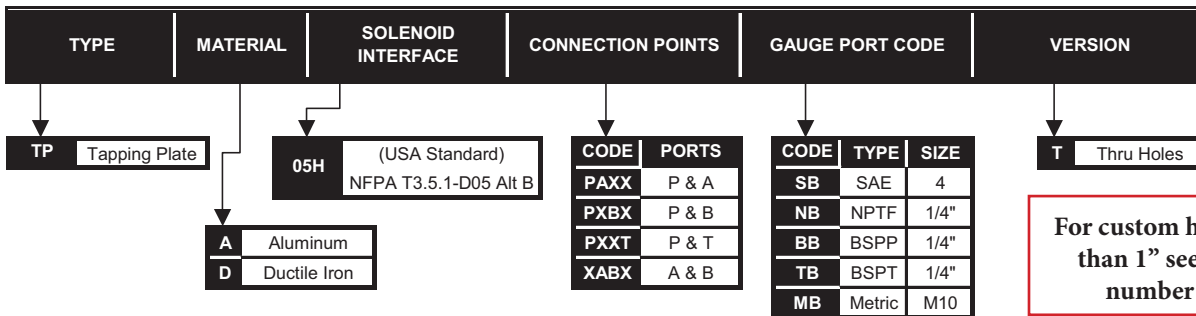
Phone: 1 (888) 626-4365 or +1 (905) 363-2400 Fax: 1 (800) 263-5807 www.lynch.ca sales@lynch.ca

D05H Tapping Plates



PART NUMBER SYSTEM

Aluminum D05H Tapping Plate with SAE 4 Gauge Ports on A & B Example : **TPA05HXABXSBT**



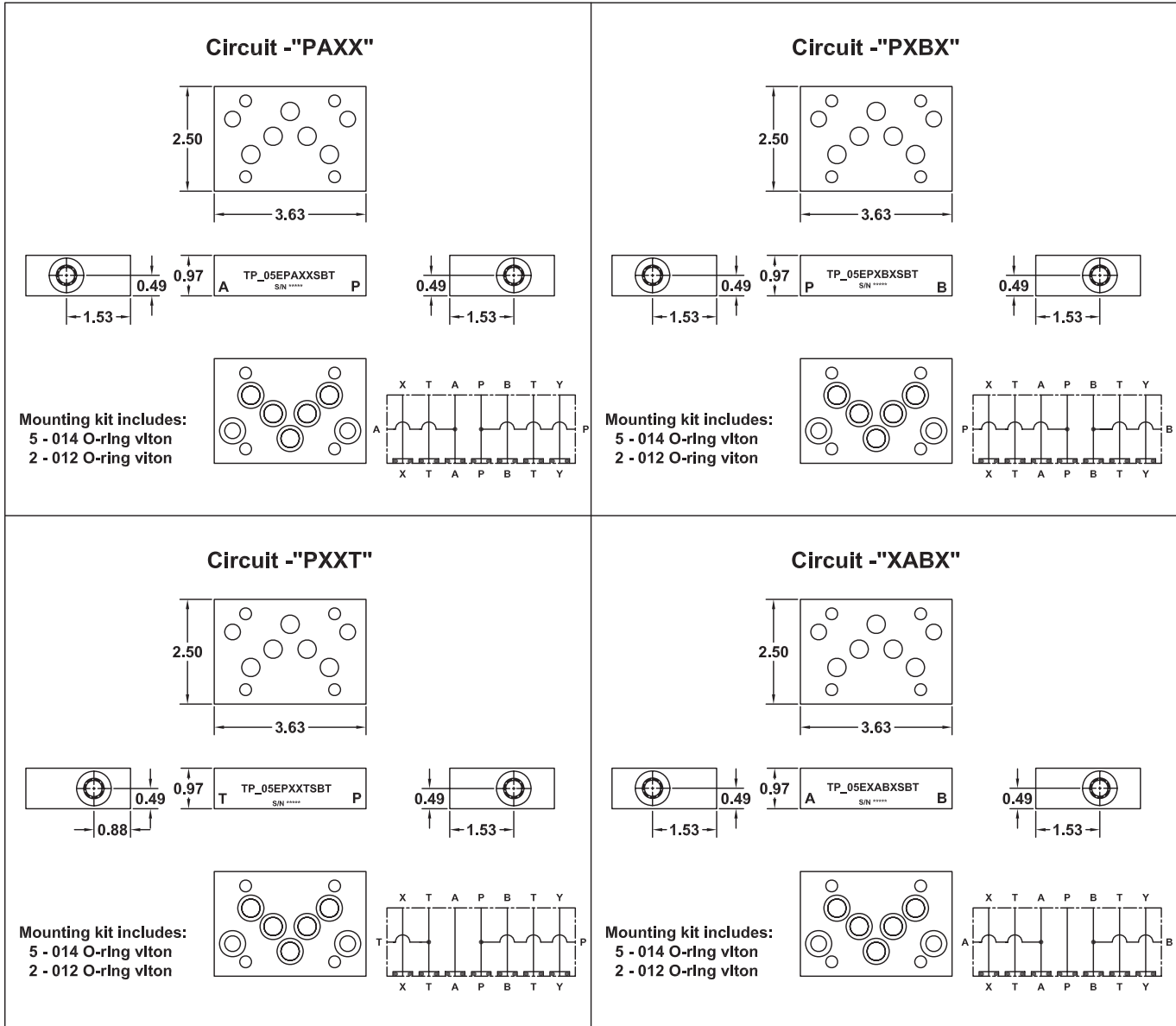
For custom height greater than 1" see data sheet number **2.99.01**

WE RESERVE THE RIGHT TO DISCONTINUE MODELS, OR CHANGE SPECIFICATIONS WITHOUT NOTICE OR INCURRING OBLIGATION

Lynch Products Can Be Modified to Suit Your Application

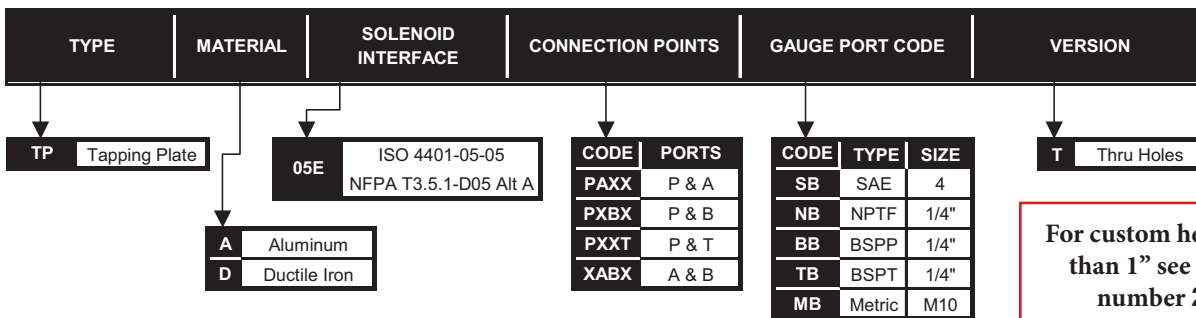
Phone: 1 (888) 626-4365 or +1 (905) 363-2400 Fax: 1 (800) 263-5807 www.lynch.ca sales@lynch.ca

D05HE Tapping Plates



PART NUMBER SYSTEM

Aluminum D05HE Tapping Plate with SAE 4 Gauge Ports on A & B Example : TPA05EXABXSBT



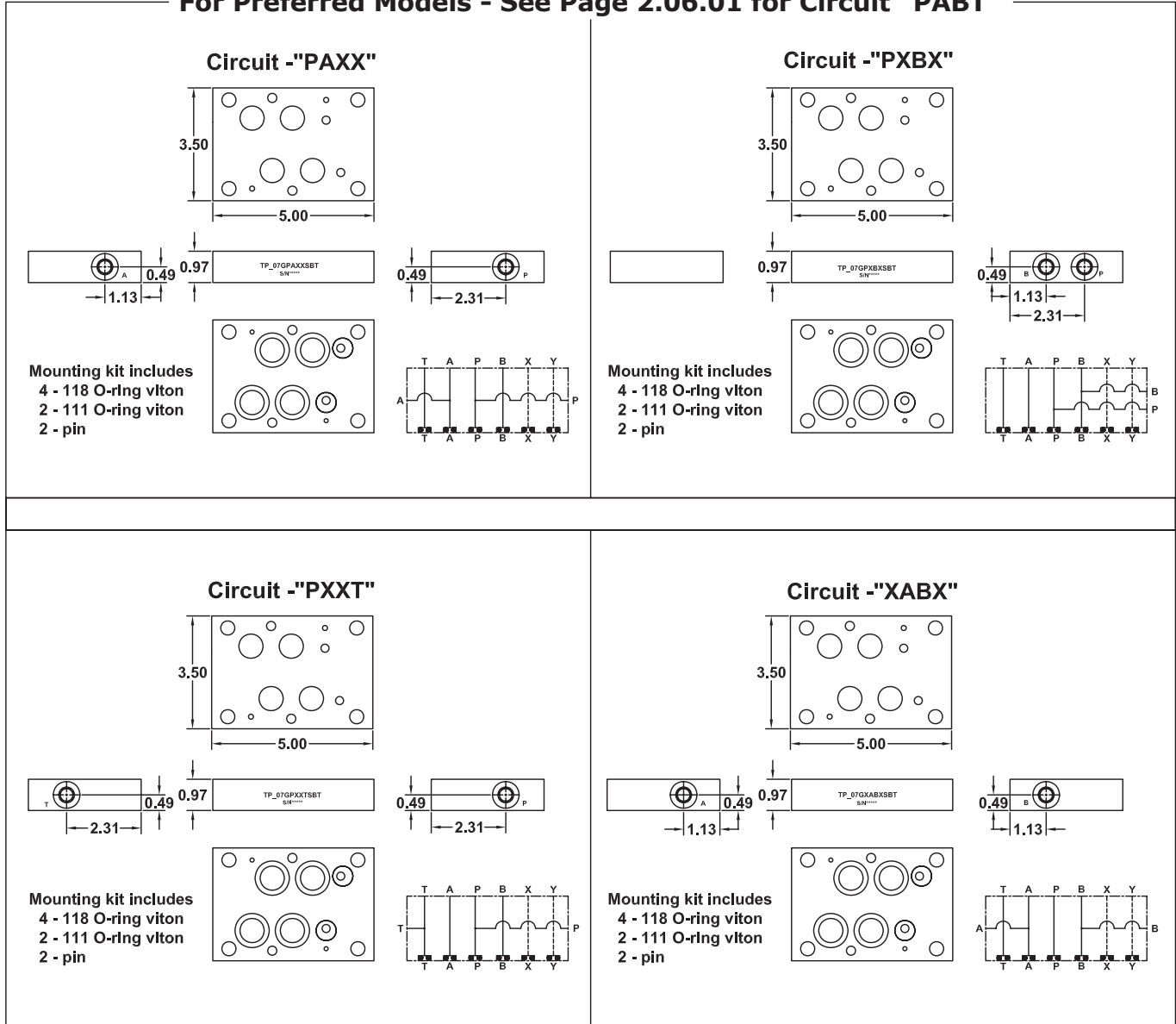
WE RESERVE THE RIGHT TO DISCONTINUE MODELS, OR CHANGE SPECIFICATIONS WITHOUT NOTICE OR INCURRING OBLIGATION

Lynch Products Can Be Modified to Suit Your Application

Phone: 1 (888) 626-4365 or +1 (905) 363-2400 Fax: 1 (800) 263-5807 www.lynch.ca sales@lynch.ca

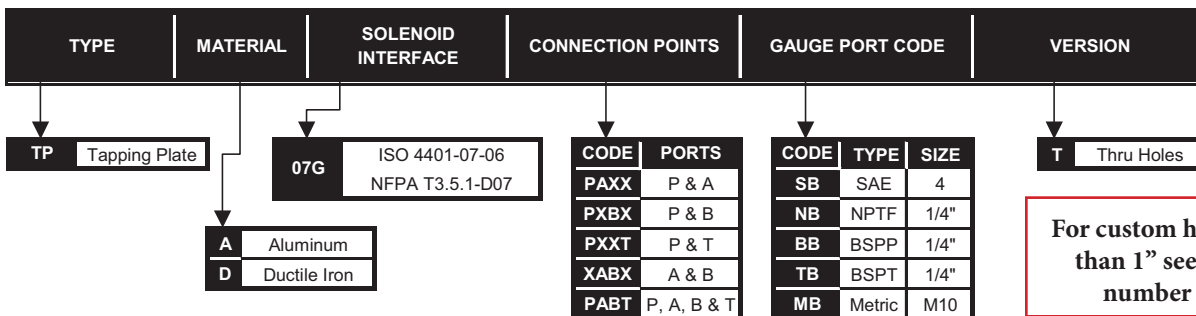
D07 Tapping Plates (Non Preferred Models)

For Preferred Models - See Page 2.06.01 for Circuit "PABT"



PART NUMBER SYSTEM

Aluminum D07 Tapping Plate with SAE 4 Gauge Ports on A & B Example : TPA07GXABXSBT



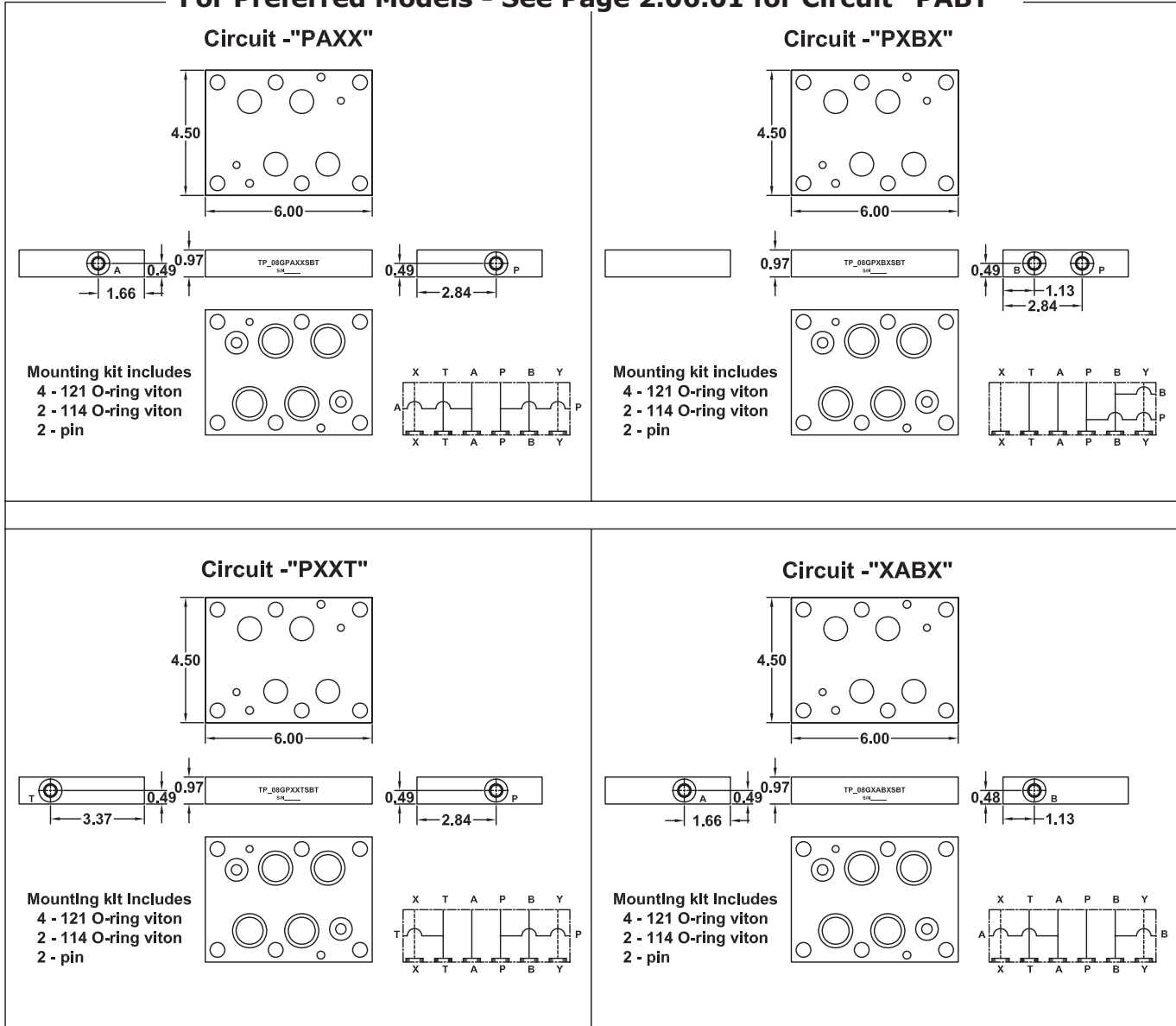
WE RESERVE THE RIGHT TO DISCONTINUE MODELS, OR CHANGE SPECIFICATIONS WITHOUT NOTICE OR INCURRING OBLIGATION

Lynch Products Can Be Modified to Suit Your Application

Phone: 1 (888) 626-4365 or +1 (905) 363-2400 Fax: 1 (800) 263-5807 www.lynch.ca sales@lynch.ca

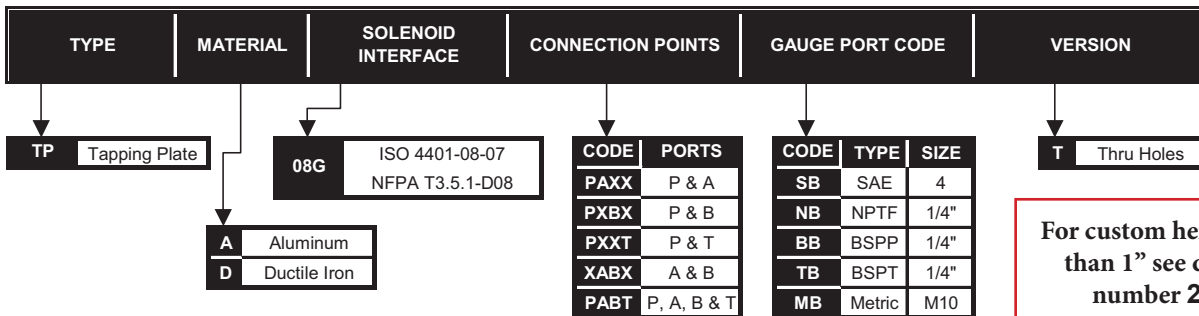
D08 Tapping Plates (Non Preferred Models)

For Preferred Models - See Page 2.06.01 for Circuit "PABT"



PART NUMBER SYSTEM

Aluminum D08 Tapping Plate with SAE 4 Gauge Ports on A & B Example : **TPA08GXABXSBT**



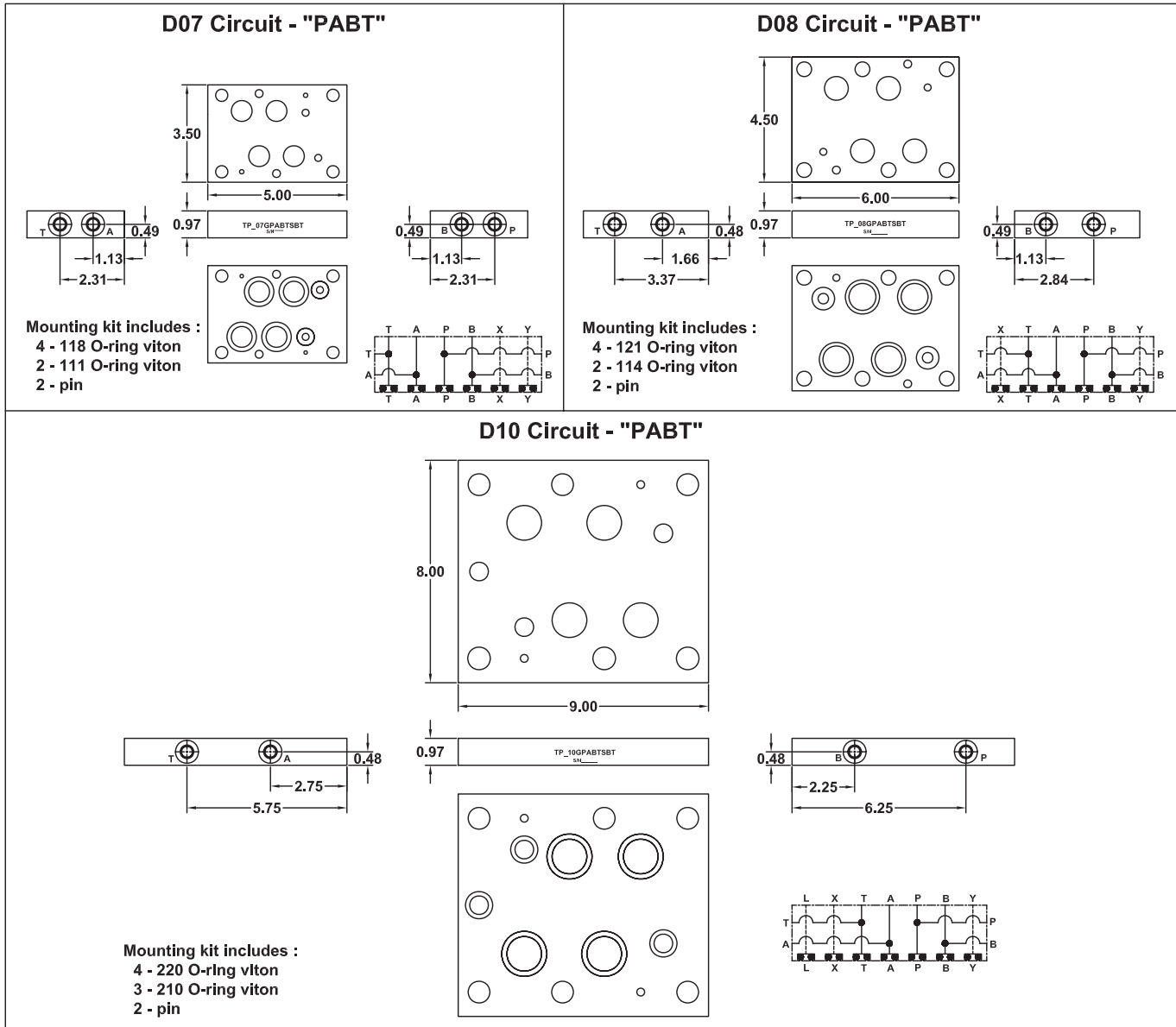
For custom height greater than 1" see data sheet number **2.99.01**

WE RESERVE THE RIGHT TO DISCONTINUE MODELS, OR CHANGE SPECIFICATIONS WITHOUT NOTICE OR INCURRING OBLIGATION

Lynch Products Can Be Modified to Suit Your Application

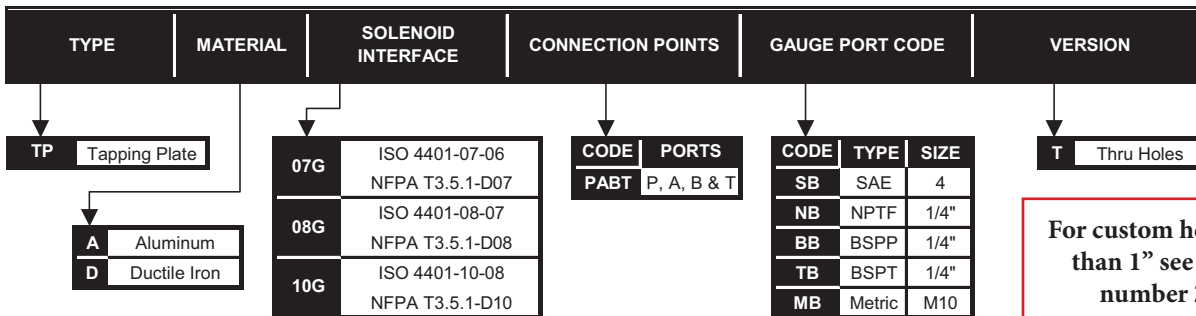
Phone: 1 (888) 626-4365 or +1 (905) 363-2400 Fax: 1 (800) 263-5807 www.lynch.ca sales@lynch.ca

D07, D08 & D10 - P, A, B & T Tapping Plates



PART NUMBER SYSTEM

Aluminum D10 Tapping Plate with SAE 4 Gauge Ports on P, A, B & T Example : TPA10GPABTSBT



WE RESERVE THE RIGHT TO DISCONTINUE MODELS, OR CHANGE SPECIFICATIONS WITHOUT NOTICE OR INCURRING OBLIGATION

Lynch Products Can Be Modified to Suit Your Application

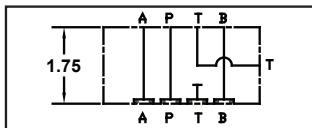
Phone: 1 (888) 626-4365 or +1 (905) 363-2400 Fax: 1 (800) 263-5807 www.lynch.ca sales@lynch.ca

Non Standard Options Oversized Ports, External Feed and/or Custom Height

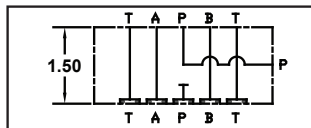
To order a non-standard Tapping Plate, make one selection from each column. Note: not all combinations are possible. Contact factory to confirm your selection.
NON-STANDARD EXAMPLE D05 D.I. Tapping Plate with SAE 6 Ports on A&B, 2.00" high: TPD05GXABXSCT200

TYPE	MATERIAL	SOLENOID INTERFACE	CONNECTION POINTS	GAUGE PORT CODES	VERSION	CUSTOM HEIGHT
TAPPING PLATE	Standard Options		Directional Valves			
	A Aluminum	CODE NFPA ISO 4401	CODE PORTS	CODE NPTF	CODE TYPE	CODE HEIGHT
	D Ductile	02G D02 -02-01	PAXX P & A	NA 1/8 NPTF	T All Through Galleries	### ###"
	Non-Standard Options		03G D03 -03-02	PXBX P & B	NB 1/4 NPTF	147 1.47"
	S Steel	05G D05 -05-04	PXXT P & T	NC 3/8 NPTF	E External Feed	175 1.75"
	3 303 Stainless Steel	05H D05H -	XABX A & B	CODE SAE		200 2.00"
	4 304 Stainless Steel	05E D05HE -05-05	PABT P & A & B & T	SB SAE 4		250 2.50"
	6 316 Stainless Steel	07G D07 -07-06	XBAX A & B Ports Opposite Face To Standard XABX Design	SC SAE 6		300 3.00"
		08G D08 -08-07	PXXX P Only	SD SAE 8		Other custom heights are available on request.
		10G D10 -10-08	XAXX A Only	SE SAE 10		
		Servo Valves		SF SAE 12		
		CODE ISO 10372	XXBX B Only	SH SAE 16		
		01S Size 01	XXXT T Only	SI SAE 20		
		02S Size 02	XAXT A & T	CODE BSPP		
		03S Size 03	XXBT B & T	BB BSPP 1/4"		
		04S Size 04		BC BSPP 3/8"		
		06S Size 06		BD BSPP 1/2"		
				BF BSPP 3/4"		
				BH BSPP 1"		
				BI BSPP 1 1/4"		
			CODE BSPT			
			TB BSPP 1/4"			
			CODE METRIC ISO 6149			
			MB M10X1.5			

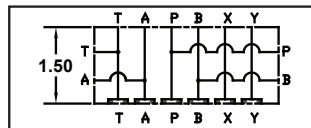
TPA03GXXXTSDE172



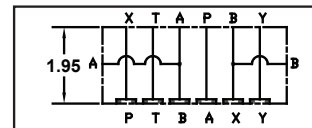
TPA05GPXXXSEE147



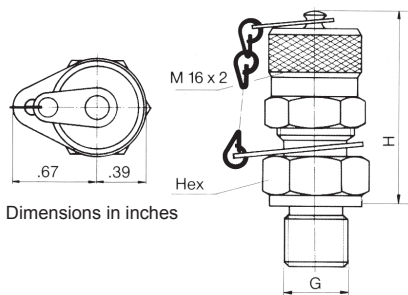
TPA07GPABTSC147



TPA08GXABXSFT197



Test Points



SAE	Thread G	H	Hex	Part Numbers
#4 SAE	7/16 UNF	1.5	0.67	MMHY01015
#6 SAE	9/16 UNF	1.57	0.75	MMHY01010

WE RESERVE THE RIGHT TO DISCONTINUE MODELS, OR CHANGE SPECIFICATIONS WITHOUT NOTICE OR INCURRING OBLIGATION

Lynch Products Can Be Modified to Suit Your Application

Phone: 1 (888) 626-4365 or +1 (905) 363-2400 Fax: 1 (800) 263-5807 www.lynch.ca sales@lynch.ca

Product Tips and Features

Valve Adapters

Valve Adapters are transition plates designed to provide a means to mount different valve types to existing manifold interfaces.

1. Standard materials are Aluminum and Ductile Iron. Other materials including Mild Steel or Stainless Steel are optionally available.
2. Special Finishes including Black Oxide, Electroless Nickel Plating or Anodizing are optionally available.
3. UNC or Metric mounting kits with Viton O Rings and locating pins are provided.
4. D05(H or HE) to D03 Valve Adapters with A and B oriented are supplied with A & B Gauge Parts as standard. Gauge Ports are optionally available on other valve adapters.
5. All clearance holes to manifold interface are provided for all valve adapters to ensure structural integrity.
6. All D05H and D05HE Solenoid Interfaces are designed with both tank ports connected to the tank port of the mating manifold interface to ensure maximum valve performance.
7. External Pilot Port Valve Adapters for interface X & Y ports are available. Contact Factory for Part Numbers of Models not shown.
8. "L" Port Valve Adapters are available. Contact Factory for Part Numbers.
9. Gasket Mount Pressure or Flow Controls to Current ISO Interface Valve Adapters are available. Contact Factory for Part Numbers of Models not shown.
10. Obsolete to Current ISO Interface Valve Adapters are available. Contact Factory for Part Numbers.
11. Servo Valve Adapters are available. Contact Factory for Part Numbers.

WE RESERVE THE RIGHT TO DISCONTINUE MODELS, OR CHANGE SPECIFICATIONS WITHOUT NOTICE OR INCURRING OBLIGATION

Lynch Products Can Be Modified to Suit Your Application

Phone: 1 (888) 626-4365 or + 1 (905) 363-2400 Fax: 1 (800) 263-5807 www.lynch.ca sales@lynch.ca

Index

Valve Adapters

D02 to D03 Valve Adapter - AB Oriented, Short & Tall Styles	3.02.01
D03 to D02 Valve Adapter - AB Oriented	3.02.01
D03 to D05 Valve Adapter - AB or BA Oriented, Short Style	3.02.02
D03 to D05 Valve Adapter - AB or BA Oriented, Tall Style	3.02.02
D05 to D03 Valve Adapter - AB Oriented	3.03.01
D05H/HE to D03 Valve Adapter - AB Oriented.....	3.03.01
D05 to D03 Valve Adapter - BA Oriented.....	3.03.02
D05H/HE to D03 Valve Adapter - BA Oriented	3.03.02
D05/D05H/D05HE to D05H Valve Adapter with External Pilots	3.03.03
D05/D05H/D05HE to D05HE Valve Adapter with External Pilots.....	3.03.03
D05H to D05HE Valve Adapter - AB Oriented	3.03.04
D05HE to D05H Valve Adapter - AB Oriented	3.03.04
D05 to D05”L” - Valve Adapter with External Drain.....	3.03.05
D05H/HE to D05”L” Valve Adapter with External Drain.....	3.03.05
D07 to D03 Valve Adapter - AB Oriented	3.04.01
D07 to D05 Valve Adapter - AB Oriented	3.04.01
D07 to D05H Valve Adapter - AB Oriented	3.04.02
D07 to D05HE Valve Adapter - AB Oriented.....	3.04.02
D08 to D03 Valve Adapter - AB Oriented	3.05.01
D08 to D05 Valve Adapter - AB Oriented	3.05.01
D08 to D05H Valve Adapter - AB Oriented	3.05.02
D08 to D05HE Valve Adapter - AB Oriented.....	3.05.02
D08 to D07 Valve Adapter - AB Oriented	3.05.03
D06 to D05 Valve Adapter - AB Oriented	3.05.03
D10 to D07 Valve Adapter - AB Oriented	3.06.01
D10 to D08 Valve Adapter - AB Oriented	3.06.01
Obsolete Valve Adapters.....	Consult Factory
Rotators, Spacers, Specials, Servo/Servo Valve Adapters.....	Consult Factory
Servo/Directional, Directional/Servo Valve Adapters	Consult Factory

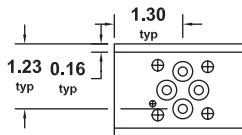
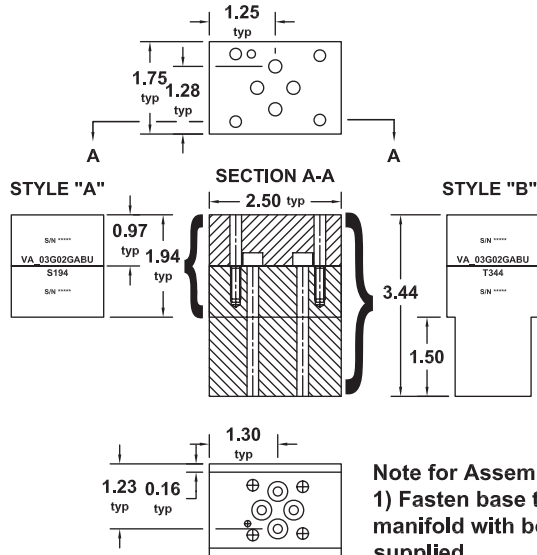
WE RESERVE THE RIGHT TO DISCONTINUE MODELS, OR CHANGE SPECIFICATIONS WITHOUT NOTICE OR INCURRING OBLIGATION

Lynch Products Can Be Modified to Suit Your Application

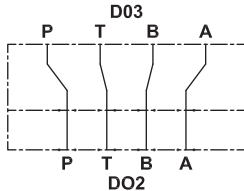
Phone: 1 (888) 626-4365 or +1 (905) 363-2400 Fax: 1 (800) 263-5807 www.lynch.ca sales@lynch.ca

D02 to D03 - Valve Adapters - D03 to D02

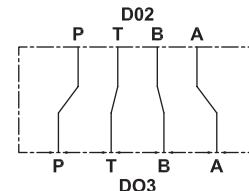
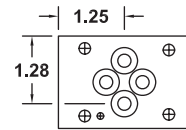
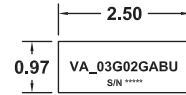
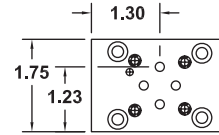
VA_02G03GAB*A194 / VA_02G03GAB*B344



Note for Assembly:
1) Fasten base to D02 manifold with bolts supplied.
2) D03 Threads begin at 0.97" depth from interface surface.



VA_03G02GAB*



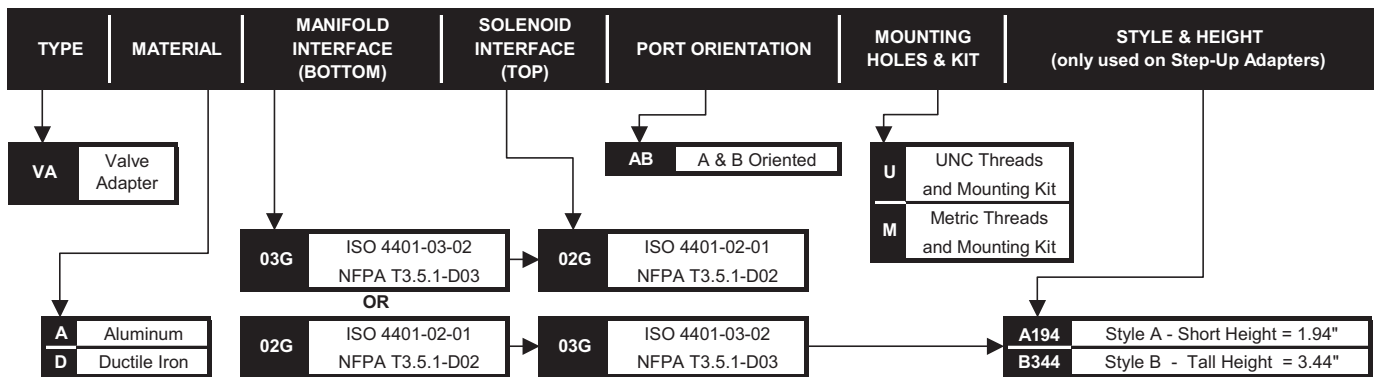
UNC mounting kit includes:
4 - #10-24 x 1.50" SHCS
or
4 - #10-24 x 3.00" SHCS
8 - O10 O-ring viton
2 - Split Pin

Metric mounting kit includes:
4 - M5 x 0.80 x 35mm SHCS
or
4 - M5 x 0.80 x 70mm SHCS
8 - O10 O-ring viton
2 - Split Pin

UNC mounting kit includes:
4 - #10-24 x 1.00" SHCS
4 - O12 O-ring viton
1 - Split Pin

Metric mounting kit includes:
4 - M5 x 0.80 x 25mm SHCS
4 - O12 O-ring viton
1 - Split Pin

PART NUMBER SYSTEM

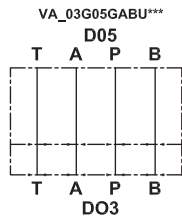
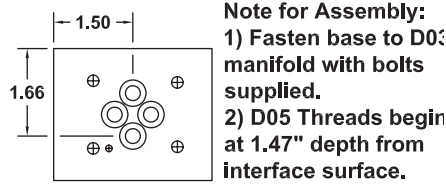
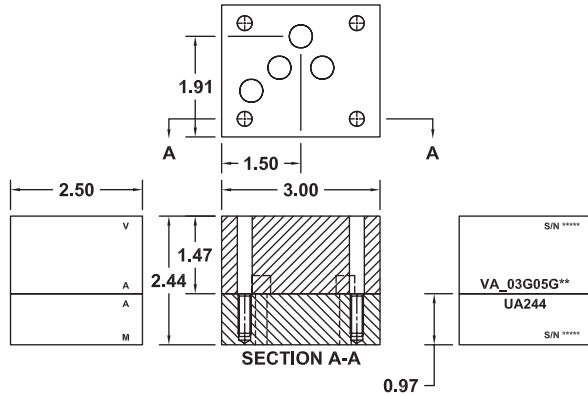


WE RESERVE THE RIGHT TO DISCONTINUE MODELS, OR CHANGE SPECIFICATIONS WITHOUT NOTICE OR INCURRING OBLIGATION

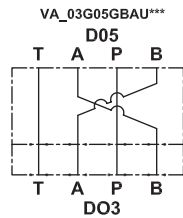
Lynch Products Can Be Modified to Suit Your Application

D03 to D05 Step-Up Valve Adapters

VA_03G05G**UA244
STYLE A

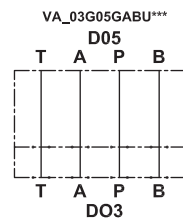
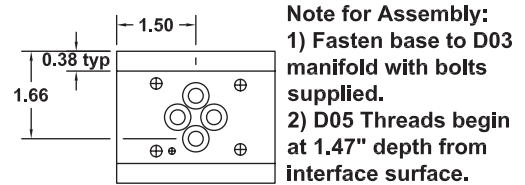
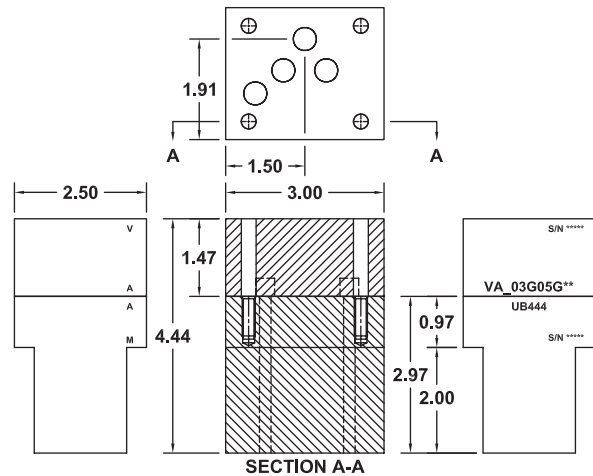


UNC mounting kit includes:
4 - 10-24 x 1.50" SHCS
8 - 012 O-ring viton
2 - Split Pin

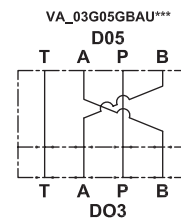


Metric mounting kit includes:
4 - M5 x .8 x 35mm SHCS
8 - 012 O-ring viton
2 - Split Pin

VA_03G05G**UB444
STYLE B

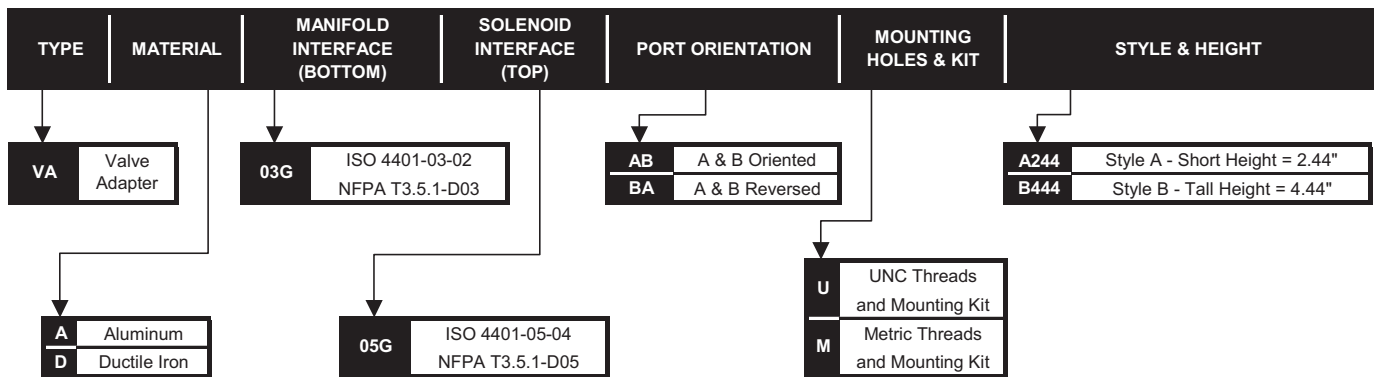


UNC mounting kit includes:
4 - 10-24 x 3.50" SHCS
8 - 012 O-ring viton
2 - Split Pin



Metric mounting kit includes:
4 - M5 x .8 x 90 mm SHCS
8 - 012 O-ring viton
2 - Split Pin

PART NUMBER SYSTEM



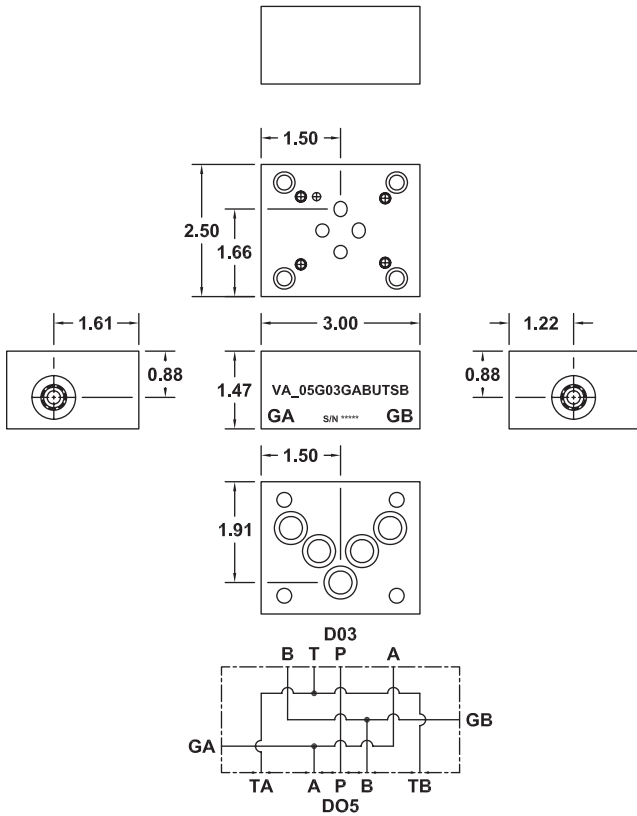
WE RESERVE THE RIGHT TO DISCONTINUE MODELS, OR CHANGE SPECIFICATIONS WITHOUT NOTICE OR INCURRING OBLIGATION

Lynch Products Can Be Modified to Suit Your Application

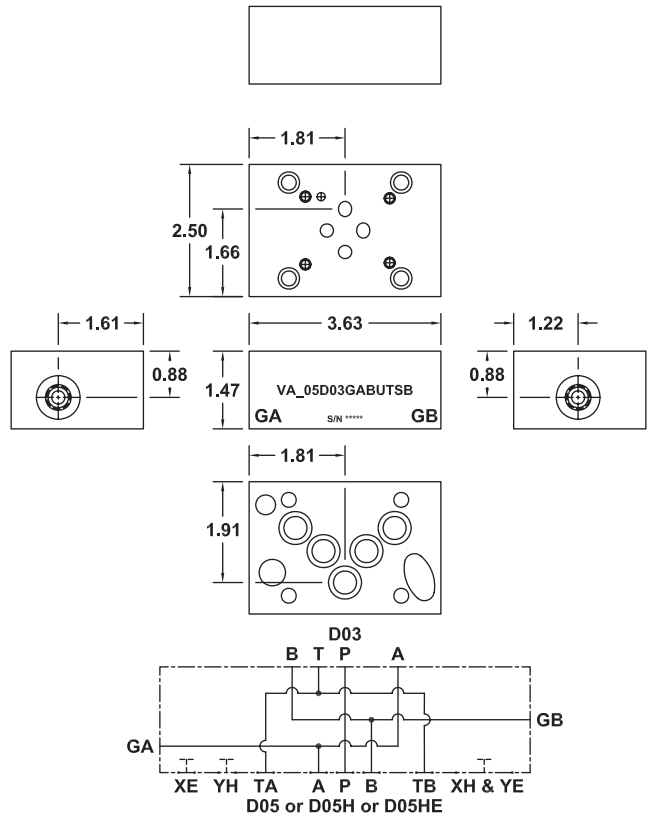
Phone: 1 (888) 626-4365 or +1 (905) 363-2400 Fax: 1 (800) 263-5807 www.lynch.ca sales@lynch.ca

D05 to D03 - Valve Adapters "AB" - D05H(E) to D03

VA_05G03GAB*T**



VA_05D03GAB*T**



UNC mounting kit includes:

- 4 - 1/4"-20 x 1.00" SHCS
- 5 - 014 O-ring viton
- 2 - plug viton

Metric mounting kit includes:

- 4 - M6 x 1.00 x 22mm SHCS
- 5 - 014 O-ring viton
- 2 - plug viton

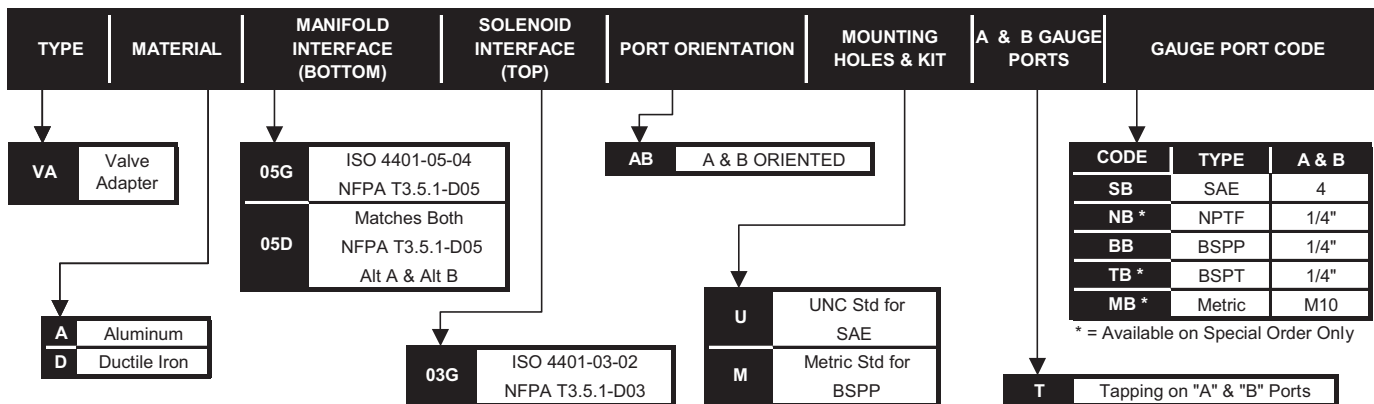
UNC mounting kit includes:

- 4 - 1/4"-20 x 1.00" SHCS
- 5 - 014 O-ring viton
- 1 - 010 O-ring viton
- 1 - 012 O-ring viton
- 1 - 016 O-ring viton
- 2 - plug viton

Metric mounting kit includes:

- 4 - M6 x 1.00 x 22mm SHCS
- 5 - 014 O-ring viton
- 1 - 010 O-ring viton
- 1 - 012 O-ring viton
- 1 - 016 O-ring viton
- 2 - plug viton

PART NUMBER SYSTEM



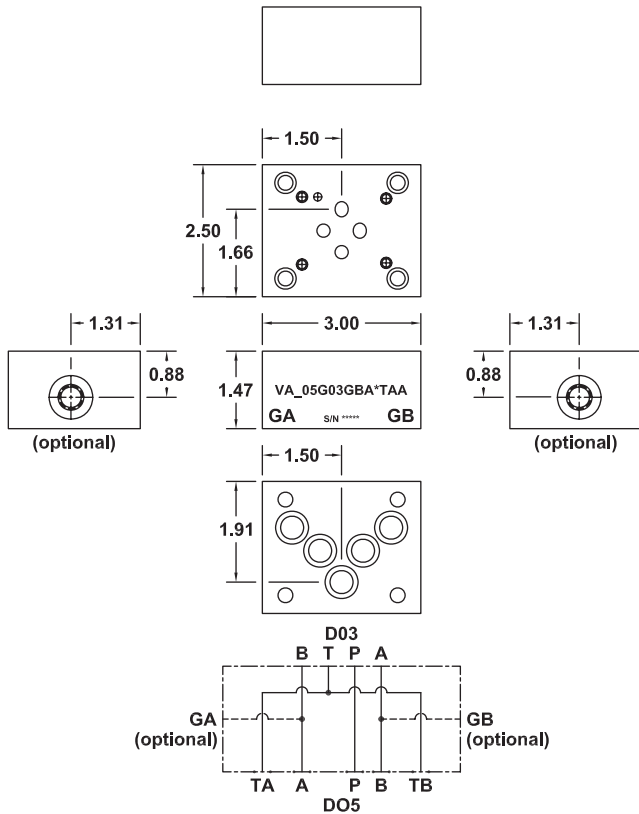
WE RESERVE THE RIGHT TO DISCONTINUE MODELS, OR CHANGE SPECIFICATIONS WITHOUT NOTICE OR INCURRING OBLIGATION

Lynch Products Can Be Modified to Suit Your Application

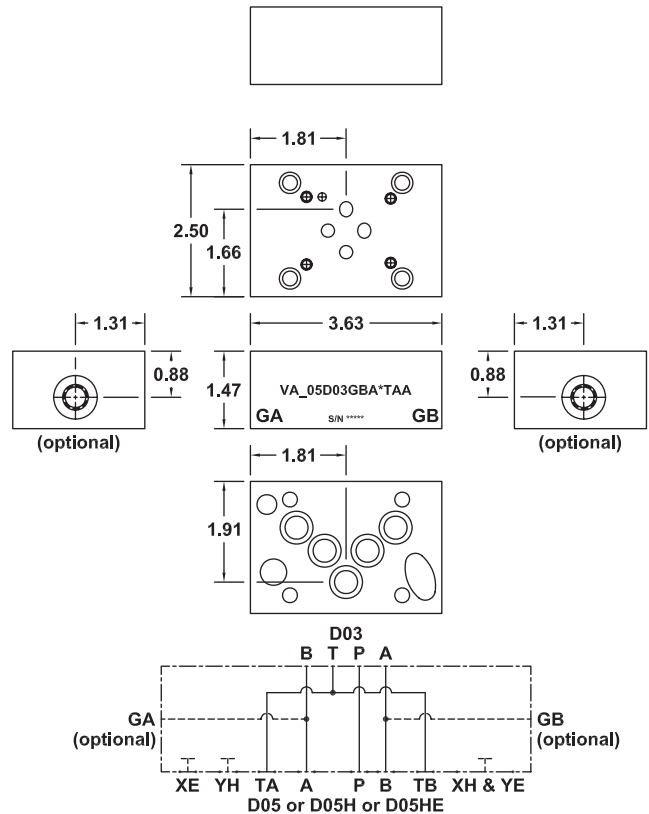
Phone: 1 (888) 626-4365 or +1 (905) 363-2400 Fax: 1 (800) 263-5807 www.lynch.ca sales@lynch.ca

D05 to D03 - Valve Adapters "BA" - D05H(E) to D03

VA_05G03GBA*TAA



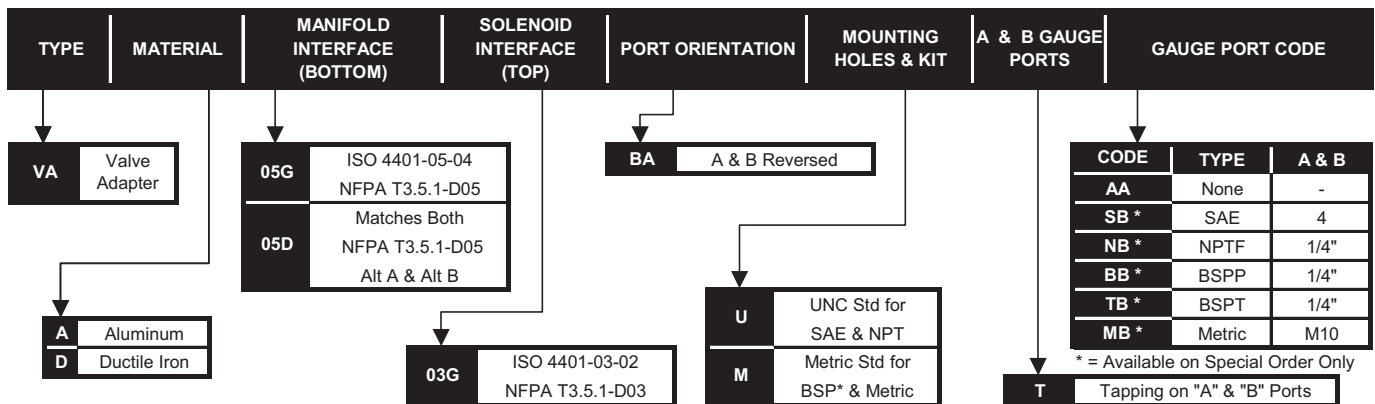
VA_05D03GBA*TAA



- | | |
|-----------------------------------|--------------------------------------|
| UNC mounting kit includes: | Metric mounting kit includes: |
| 4 - 1/4"-20 x 1.00" SHCS | 4 - M6 x 1,00 x 22mm SHCS |
| 5 - 014 O-ring viton | 5 - 014 O-ring viton |
| 2 - plug viton (Optional) | 2 - plug viton (Optional) |

- | | |
|-----------------------------------|--------------------------------------|
| UNC mounting kit includes: | Metric mounting kit includes: |
| 4 - 1/4"-20 x 1.00" SHCS | 4 - M6 x 1,00 x 22mm SHCS |
| 5 - 014 O-ring viton | 5 - 014 O-ring viton |
| 1 - 010 O-ring viton | 1 - 010 O-ring viton |
| 1 - 012 O-ring viton | 1 - 012 O-ring viton |
| 1 - 016 O-ring viton | 1 - 016 O-ring viton |
| 2 - plug viton (Optional) | 2 - plug viton (Optional) |

PART NUMBER SYSTEM



WE RESERVE THE RIGHT TO DISCONTINUE MODELS, OR CHANGE SPECIFICATIONS WITHOUT NOTICE OR INCURRING OBLIGATION

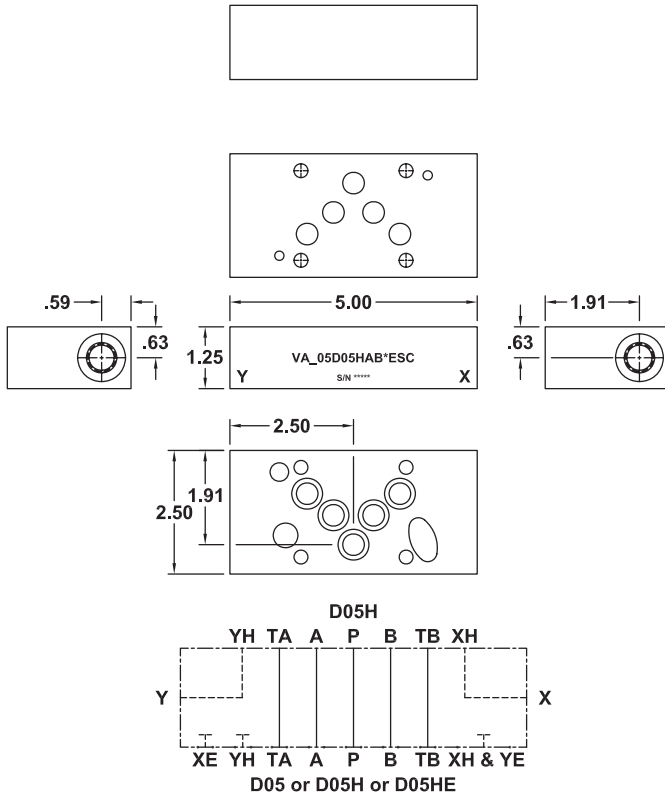
Lynch Products Can Be Modified to Suit Your Application

Phone: 1 (888) 626-4365 or +1 (905) 363-2400 Fax: 1 (800) 263-5807 www.lynch.ca sales@lynch.ca

D05 to D05H - Valve Adapters - D05 to D05HE

External X&Y Port Connections

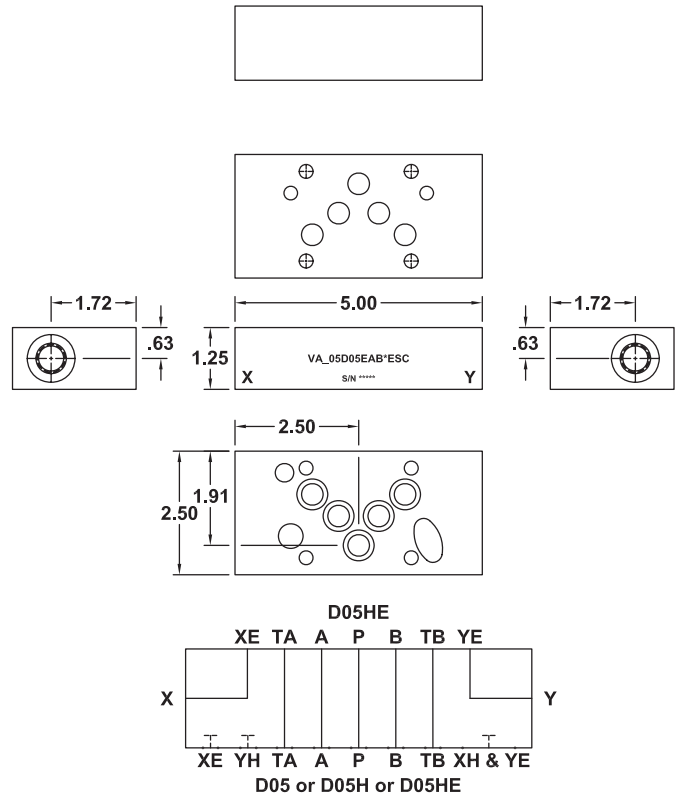
VA_05D05HAB*ESC



Adapter includes:
 5 - 014 O-ring viton
 1 - 010 O-ring viton
 1 - 012 O-ring viton
 1 - 016 O-ring viton

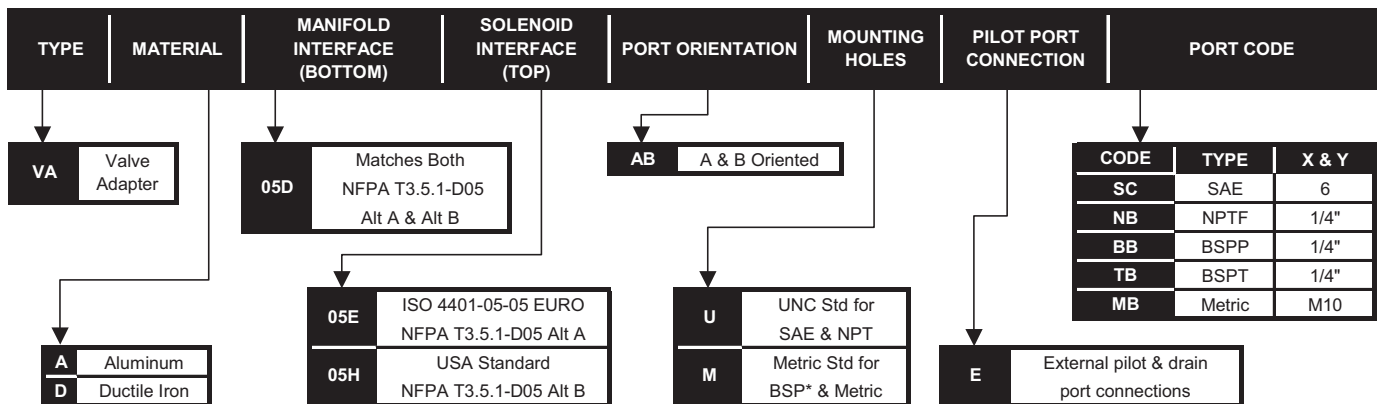
External X&Y Port Connections

VA_05D05EAB*ESC



Adapter includes:
 5 - 014 O-ring viton
 1 - 010 O-ring viton
 1 - 012 O-ring viton
 1 - 016 O-ring viton

PART NUMBER SYSTEM



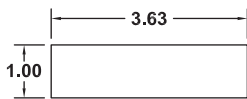
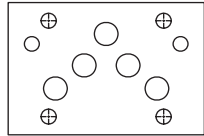
WE RESERVE THE RIGHT TO DISCONTINUE MODELS, OR CHANGE SPECIFICATIONS WITHOUT NOTICE OR INCURRING OBLIGATION

Lynch Products Can Be Modified to Suit Your Application

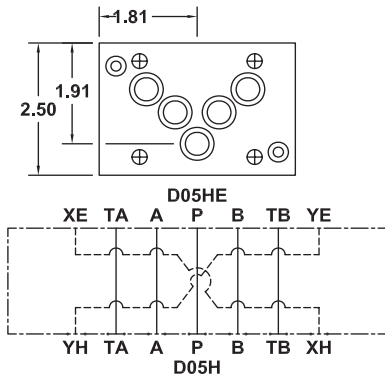
Phone: 1 (888) 626-4365 or +1 (905) 363-2400 Fax: 1 (800) 263-5807 www.lynch.ca sales@lynch.ca

D05H to D05HE - Valve Adapters - D05HE to D05H

VA_05H05EAB*

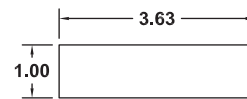
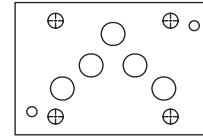


VA_05H05EAB*
S/N *****

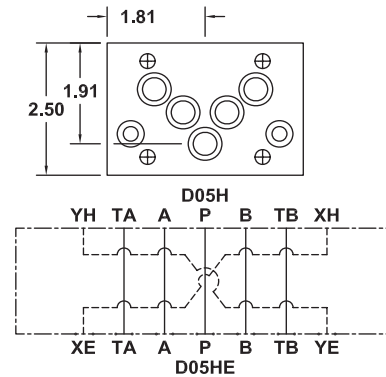


Adapter includes:
5 - 014 O-ring viton
2 - 010 O-ring viton

VA_05E05HAB*

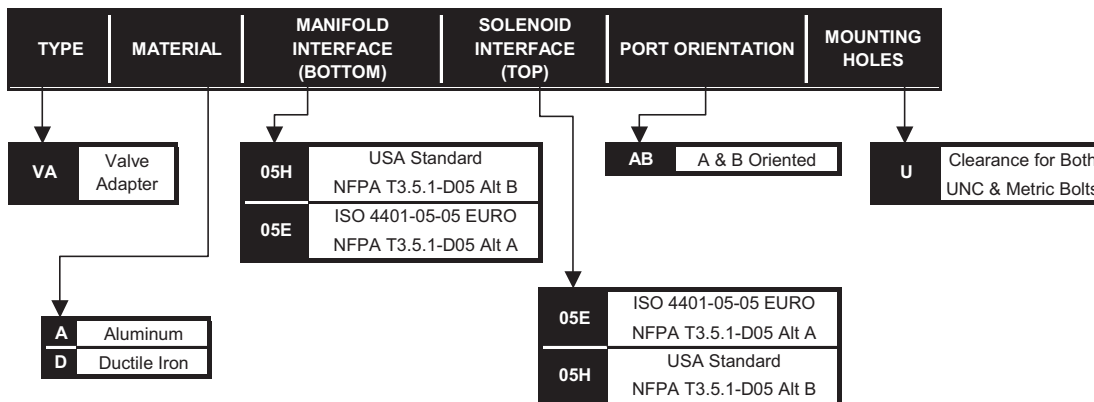


VA_05E05HAB*
S/N *****



Adapter includes:
5 - 014 O-ring viton
2 - 012 O-ring viton

PART NUMBER SYSTEM



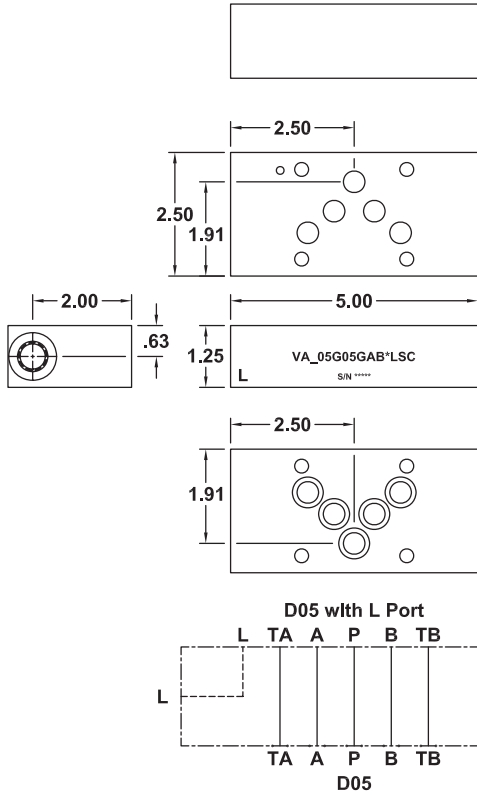
WE RESERVE THE RIGHT TO DISCONTINUE MODELS, OR CHANGE SPECIFICATIONS WITHOUT NOTICE OR INCURRING OBLIGATION

Lynch Products Can Be Modified to Suit Your Application

Phone: 1 (888) 626-4365 or +1 (905) 363-2400 Fax: 1 (800) 263-5807 www.lynch.ca sales@lynch.ca

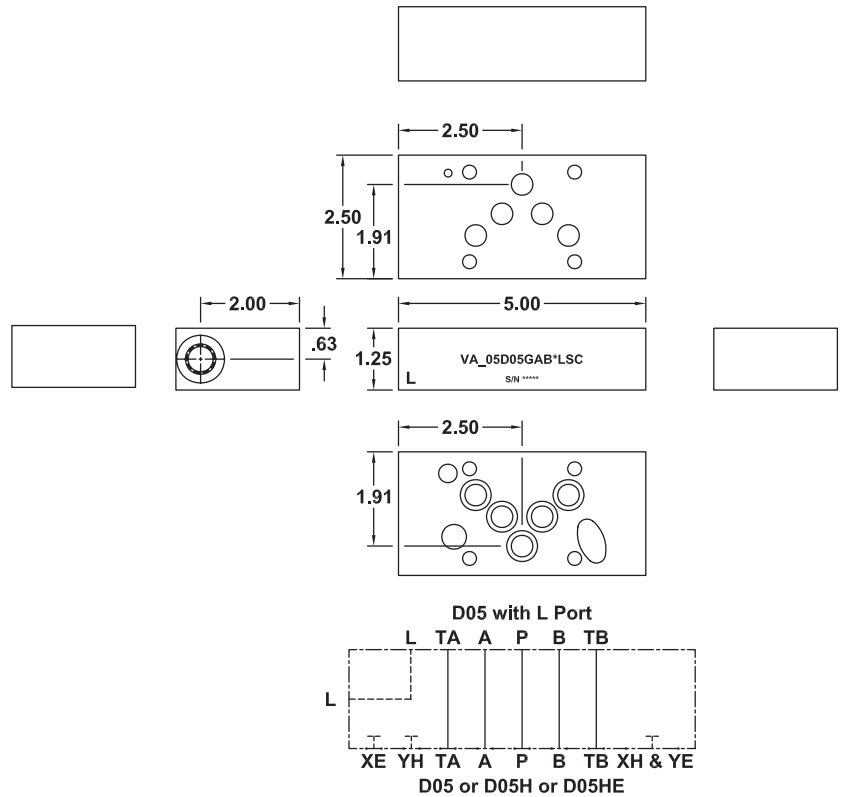
D05 to D05"L" - Valve Adapters - D05H(E) to D05"L"

VA_05G05GAB*LSC



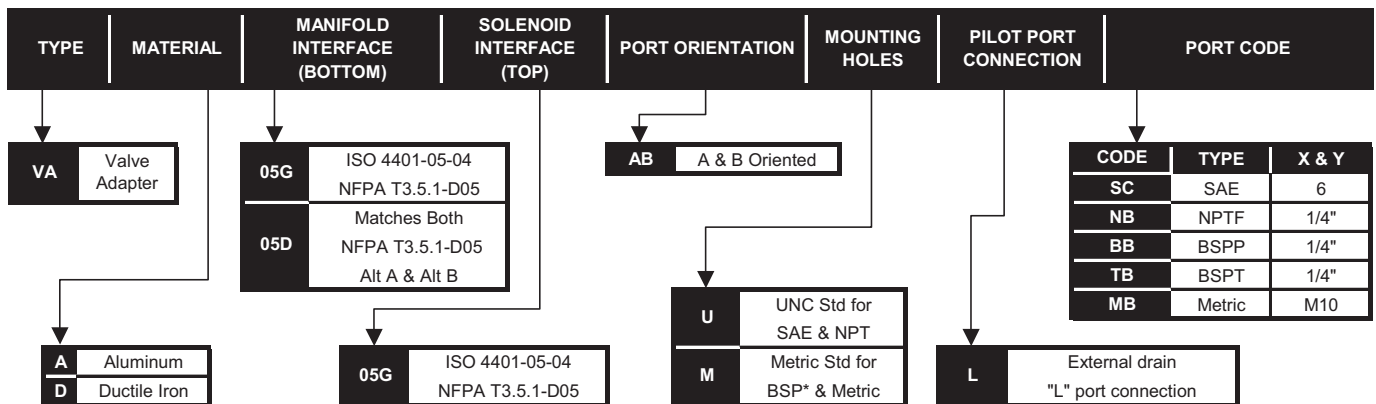
Adapter includes:
5 - 014 O-ring viton

VA_05D05GAB*LSC



Adapter includes:
5 - 014 O-ring viton
1 - 010 O-ring viton
1 - 012 O-ring viton
1 - 016 O-ring viton

PART NUMBER SYSTEM



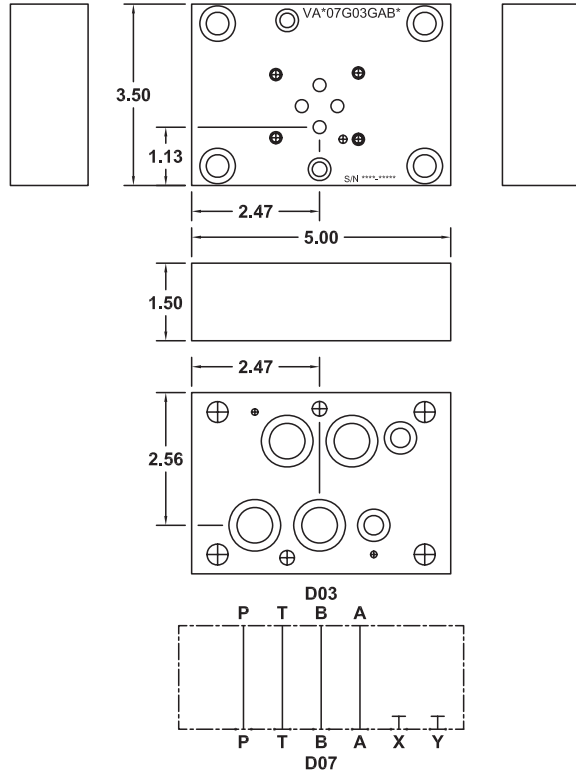
WE RESERVE THE RIGHT TO DISCONTINUE MODELS, OR CHANGE SPECIFICATIONS WITHOUT NOTICE OR INCURRING OBLIGATION

Lynch Products Can Be Modified to Suit Your Application

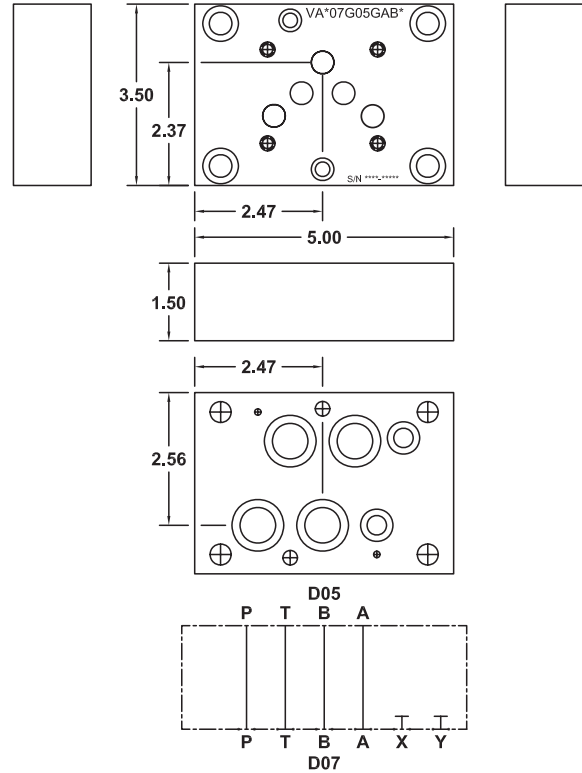
Phone: 1 (888) 626-4365 or +1 (905) 363-2400 Fax: 1 (800) 263-5807 www.lynch.ca sales@lynch.ca

D07 to D03 - Valve Adapters - D07 to D05

VA_07G03GAB*



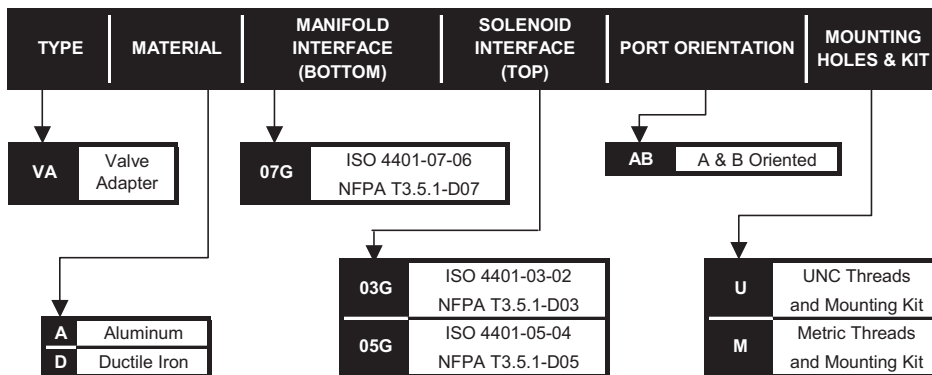
VA_07G05GAB*



- | | |
|-----------------------------------|--------------------------------------|
| UNC mounting kit includes: | Metric mounting kit includes: |
| 4 - 3/8"-16 x 1.50" SHCS | 4 - M10 x 1.50 x 40mm SHCS |
| 2 - 1/4"-20 x 1.50" SHCS | 2 - M6 x 1.00 x 40mm SHCS |
| 4 - 118 O-ring viton | 4 - 118 O-ring viton |
| 2 - 111 O-ring viton | 2 - 111 O-ring viton |

- | | |
|-----------------------------------|--------------------------------------|
| UNC mounting kit includes: | Metric mounting kit includes: |
| 4 - 3/8"-16 x 1.50" SHCS | 4 - M10 x 1.50 x 40mm SHCS |
| 2 - 1/4"-20 x 1.50" SHCS | 2 - M6 x 1.00 x 40mm SHCS |
| 4 - 118 O-ring viton | 4 - 118 O-ring viton |
| 2 - 111 O-ring viton | 2 - 111 O-ring viton |

PART NUMBER SYSTEM



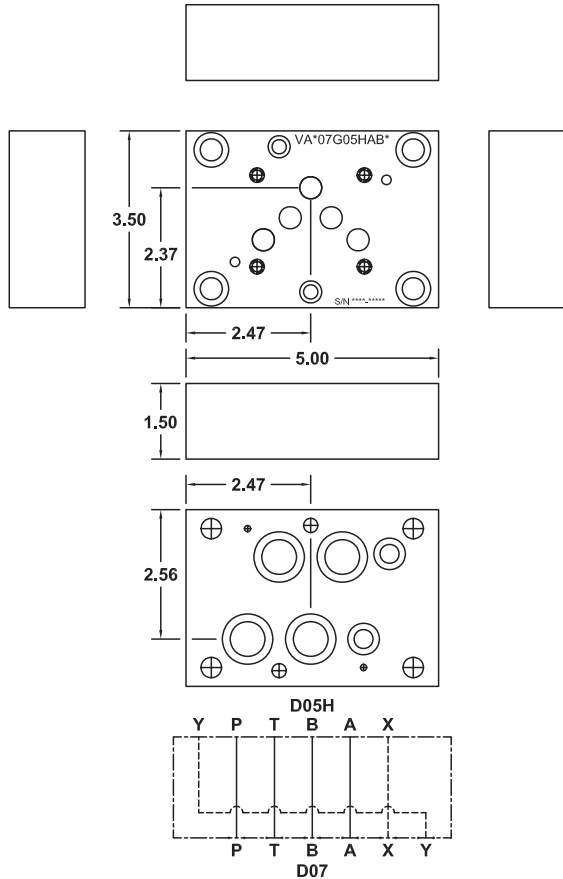
WE RESERVE THE RIGHT TO DISCONTINUE MODELS, OR CHANGE SPECIFICATIONS WITHOUT NOTICE OR INCURRING OBLIGATION

Lynch Products Can Be Modified to Suit Your Application

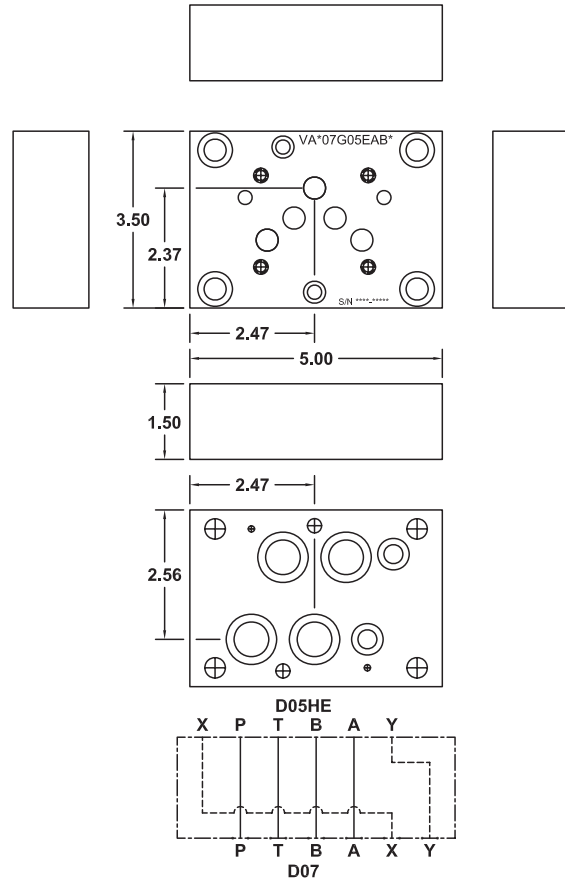
Phone: 1 (888) 626-4365 or +1 (905) 363-2400 Fax: 1 (800) 263-5807 www.lynch.ca sales@lynch.ca

D07 to D05H - Valve Adapters - D07 to D05HE

VA_07G05HAB*



VA_07G05EAB*



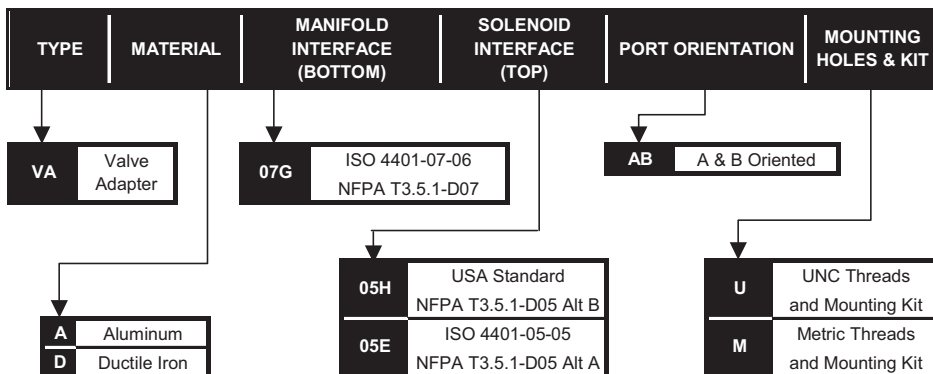
UNC mounting kit includes:
4 - 3/8"-16 x 1.50" SHCS
2 - 1/4"-20 x 1.50" SHCS
4 - 118 O-ring viton
2 - 111 O-ring viton
2 - pin

Metric mounting kit includes:
4 - M10 x 1.50 x 40mm SHCS
2 - M6 x 1.00 x 40mm SHCS
4 - 118 O-ring viton
2 - 111 O-ring viton
2 - pin

UNC mounting kit includes:
4 - 3/8"-16 x 1.50" SHCS
2 - 1/4"-20 x 1.50" SHCS
4 - 118 O-ring viton
2 - 111 O-ring viton
2 - pin

Metric mounting kit includes:
4 - M10 x 1.50 x 40mm SHCS
2 - M6 x 1.00 x 40mm SHCS
4 - 118 O-ring viton
2 - 111 O-ring viton
2 - pin

PART NUMBER SYSTEM



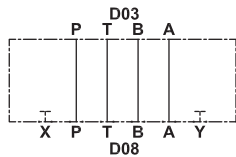
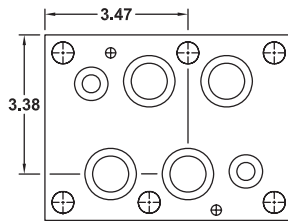
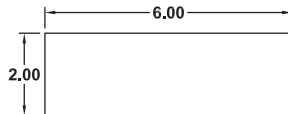
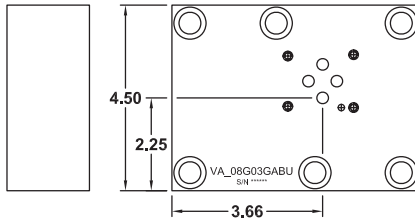
WE RESERVE THE RIGHT TO DISCONTINUE MODELS, OR CHANGE SPECIFICATIONS WITHOUT NOTICE OR INCURRING OBLIGATION

Lynch Products Can Be Modified to Suit Your Application

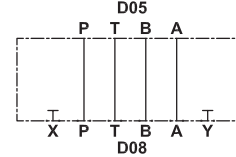
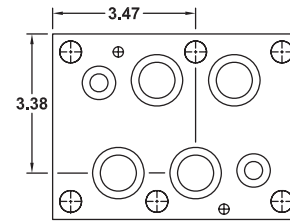
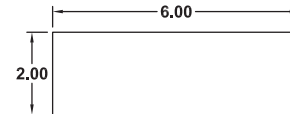
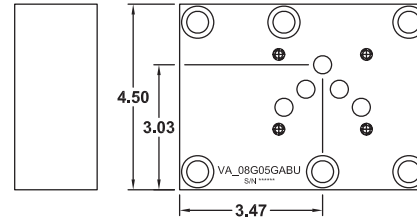
Phone: 1 (888) 626-4365 or +1 (905) 363-2400 Fax: 1 (800) 263-5807 www.lynch.ca sales@lynch.ca

D08 to D03 - Valve Adapters - D08 to D05

VA_08G03GAB*



VA_08G05GAB*



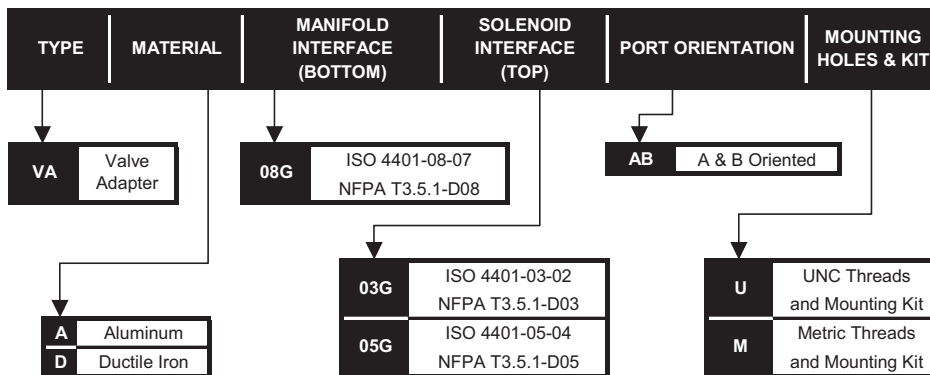
UNC mounting kit includes:
6 - 1/2"-13 x 2.25" SHCS
4 - 121 O-ring viton
2 - 114 O-ring viton
2 - pin

Metric mounting kit includes:
6 - M12 x 1.75 x 60mm SHCS
4 - 121 O-ring viton
2 - 114 O-ring viton
2 - pin

UNC mounting kit includes:
6 - 1/2"-13 x 2.25" SHCS
4 - 121 O-ring viton
2 - 114 O-ring viton
2 - pin

Metric mounting kit includes:
6 - M12 x 1.75 x 60mm SHCS
4 - 121 O-ring viton
2 - 114 O-ring viton
2 - pin

PART NUMBER SYSTEM



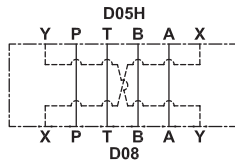
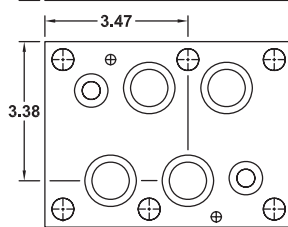
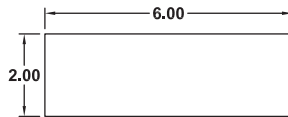
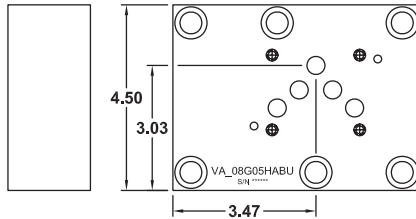
WE RESERVE THE RIGHT TO DISCONTINUE MODELS, OR CHANGE SPECIFICATIONS WITHOUT NOTICE OR INCURRING OBLIGATION

Lynch Products Can Be Modified to Suit Your Application

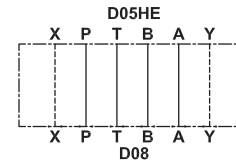
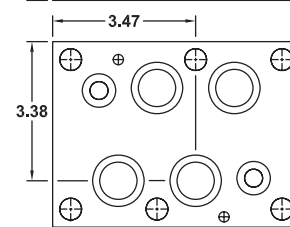
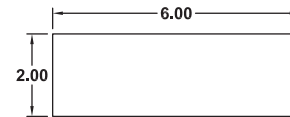
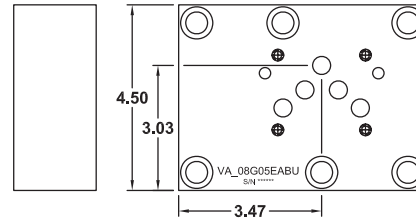
Phone: 1 (888) 626-4365 or +1 (905) 363-2400 Fax: 1 (800) 263-5807 www.lynch.ca sales@lynch.ca

D08 to D05H - Valve Adapters - D08 to D05HE

VA_08G05HAB*



VA_08G05EAB*



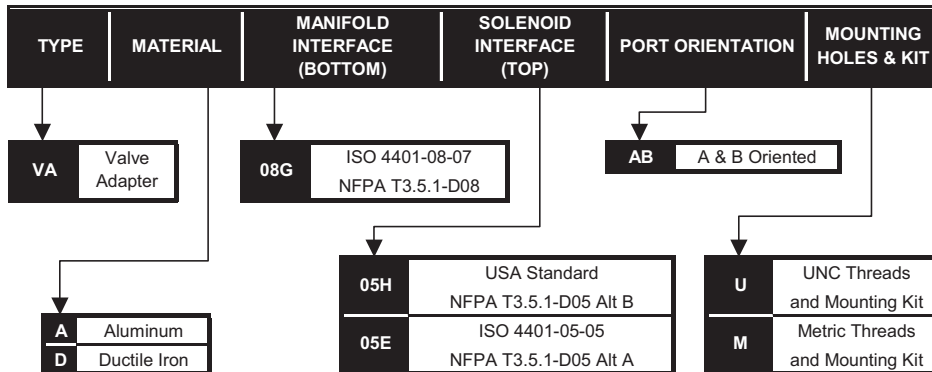
UNC mounting kit includes:
6 - 1/2"-13 x 2.25" SHCS
4 - 121 O-ring viton
2 - 114 O-ring viton
2 - pin

Metric mounting kit includes:
6 - M12 x 1.75 x 60mm SHCS
4 - 121 O-ring viton
2 - 114 O-ring viton
2 - pin

UNC mounting kit includes:
6 - 1/2"-13 x 2.25" SHCS
4 - 121 O-ring viton
2 - 114 O-ring viton
2 - pin

Metric mounting kit includes:
6 - M12 x 1.75 x 60mm SHCS
4 - 121 O-ring viton
2 - 114 O-ring viton
2 - pin

PART NUMBER SYSTEM



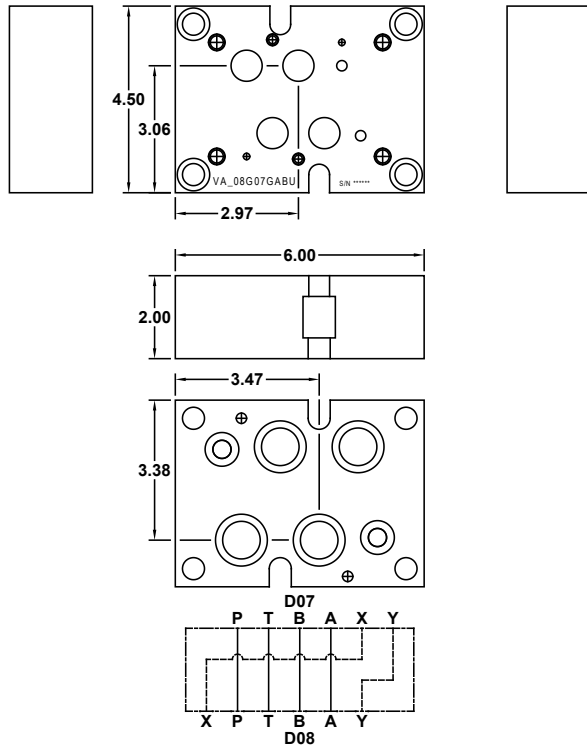
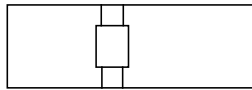
WE RESERVE THE RIGHT TO DISCONTINUE MODELS, OR CHANGE SPECIFICATIONS WITHOUT NOTICE OR INCURRING OBLIGATION

Lynch Products Can Be Modified to Suit Your Application

Phone: 1 (888) 626-4365 or +1 (905) 363-2400 Fax: 1 (800) 263-5807 www.lynch.ca sales@lynch.ca

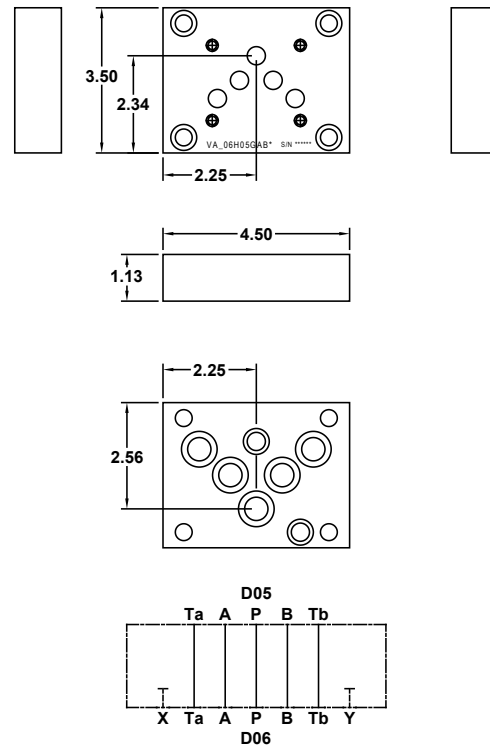
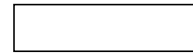
D08 to D07 - Valve Adapters - D06 to D05

VA_08G07GAB*



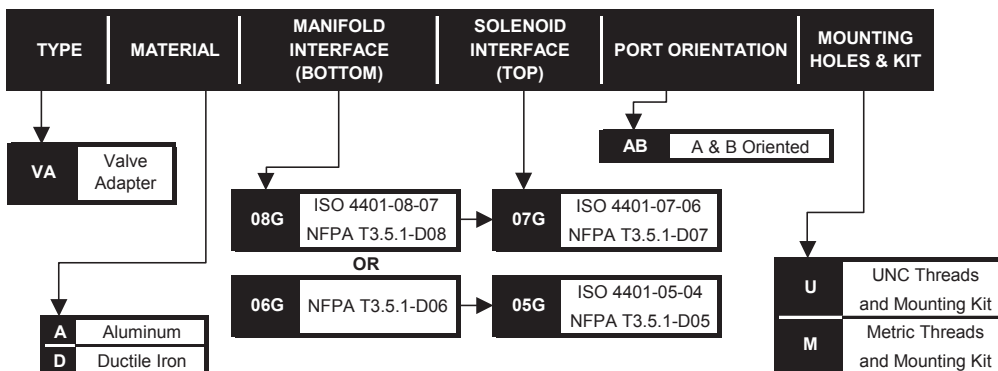
- UNC mounting kit includes:**
- 4 - 1/2"-13 x 2.25" SHCS
 - 2 - 1/2"-13 x 1.25" SHCS
 - 4 - 121 O-ring viton
 - 2 - 114 O-ring viton
 - 2 - pin
- Metric mounting kit includes:**
- 4 - M12 x 1.75 x 60mm SHCS
 - 2 - M12 x 1.75 x 30mm SHCS
 - 4 - 121 O-ring viton
 - 2 - 114 O-ring viton
 - 2 - pin

VA_06H05GAB*



- UNC mounting kit includes:**
- 4 - 3/8"-16 x 1.25" SHCS
 - 5 - 018 O-ring viton
 - 2 - 014 O-ring viton
- Metric mounting kit includes:**
- 4 - M10 x 1.5 x 35mm SHCS
 - 5 - 018 O-ring viton
 - 2 - 014 O-ring viton

PART NUMBER SYSTEM

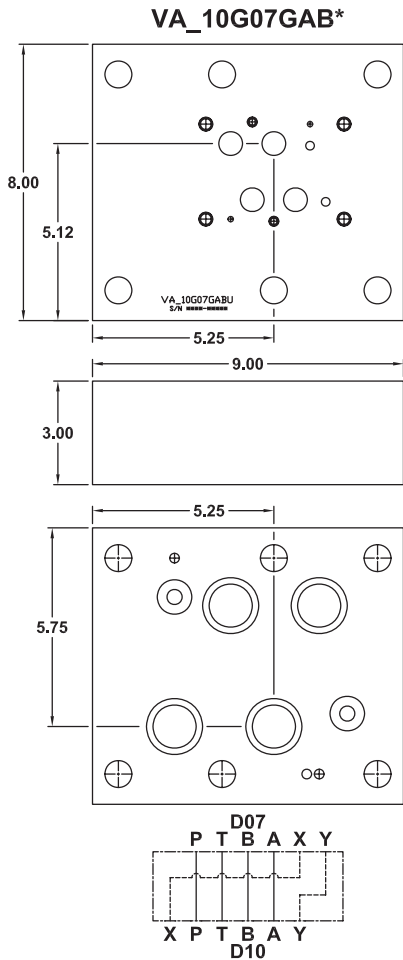


WE RESERVE THE RIGHT TO DISCONTINUE MODELS, OR CHANGE SPECIFICATIONS WITHOUT NOTICE OR INCURRING OBLIGATION

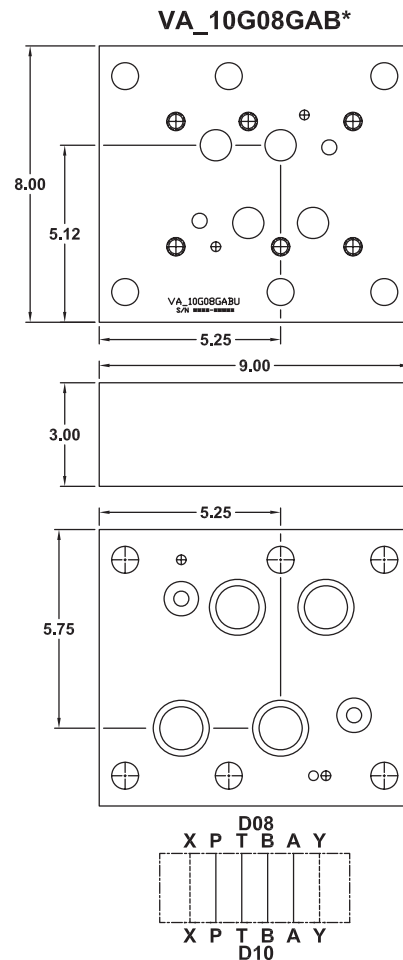
Lynch Products Can Be Modified to Suit Your Application

Phone: 1 (888) 626-4365 or +1 (905) 363-2400 Fax: 1 (800) 263-5807 www.lynch.ca sales@lynch.ca

D10 to D07 - Valve Adapters - D10 to D08

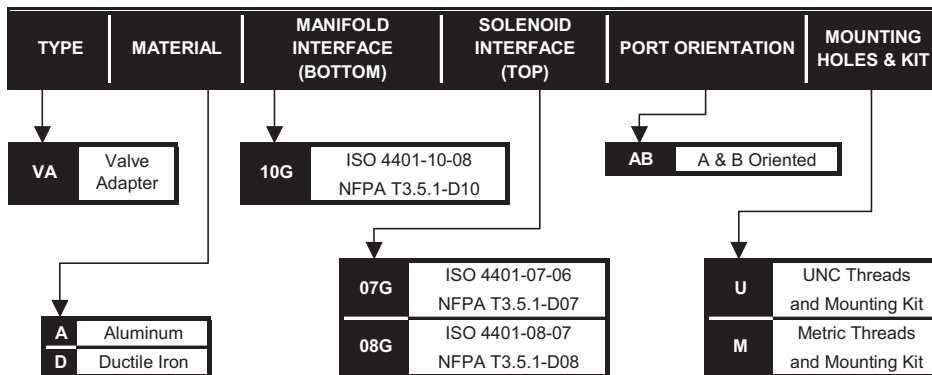


- | | |
|-----------------------------------|--------------------------------------|
| UNC mounting kit includes: | Metric mounting kit includes: |
| 6 - 3/4"-10 x 4.50" SHCS | 6 - M20 x 2.5 x 110mm SHCS |
| 4 - 220 O-ring viton | 4 - 220 O-ring viton |
| 2 - 210 O-ring viton | 2 - 210 O-ring viton |
| 2 - pin | 2 - pin |



- | | |
|-----------------------------------|--------------------------------------|
| UNC mounting kit includes: | Metric mounting kit includes: |
| 6 - 3/4"-10 x 4.50" SHCS | 6 - M20 x 2.5 x 110mm SHCS |
| 4 - 220 O-ring viton | 4 - 220 O-ring viton |
| 2 - 210 O-ring viton | 2 - 210 O-ring viton |
| 2 - pin | 2 - pin |

PART NUMBER SYSTEM



WE RESERVE THE RIGHT TO DISCONTINUE MODELS, OR CHANGE SPECIFICATIONS WITHOUT NOTICE OR INCURRING OBLIGATION

Lynch Products Can Be Modified to Suit Your Application

Phone: 1 (888) 626-4365 or +1 (905) 363-2400 Fax: 1 (800) 263-5807 www.lynch.ca sales@lynch.ca

Non Standard Valve Adapters ... Consult Factory

Obsolete - Typical

01Q to D03
 DG4M4 to D03
 D1D04 to D03
 D1D04 to D05
 D06 to D05
 D07 to R08
 D1D12 to D07
 D1D12 to D05
 D1L/WE5 to D03
 P37 (Double A) to D10

Rotators

D03 90° **2001F03-02821**
 D03 180° **2003F03-03719**
 D03 270° **2003F03-03723**
 D05 90° **2006F03-05088**
 D05 180° **ZTB VA_05G05GBAUTSB**

Spacers

Typical part number
 VA03G03GABUS###
 (where ###= height)
 VA05G05GABUS###
 VA10G10GABUS###

Specials

D08J (oversize) to D08
 D10J (oversize) to D08J (oversize)

Servo/Servo

ISO 10372 & proprietary

04S to 02S VA_04S02SABU
 04S to 06S VA_04S06SABU
 04S to 57S VA_04S57SABU
 04S to S71 VA_04SS71ABU
 57S to 04S VA_57S04SABU
 06S to 057 VA_06S057ABU

Servo/Directional

ISO 10372 & ISO 4401

02S to S03 VA_02S03SABU
 04S to D03 VA_04S03GABU
 04S to D05 VA_04S05GABU
 06S to D05 VA_06S05GABU
 S61 to D05 VA_S6105GABU
 S71 to D03 VA_S7103GABU

Directional/Servo

ISO 4401 & ISO 10372

D03 to S04 VA_03G04SABU
 D05 to 04S VA_05G04SABU
 D08 to S04 VA_08G04SABU
 D08 to Moog641 VA_08G05GABU

For more information, please consult factory

WE RESERVE THE RIGHT TO DISCONTINUE MODELS, OR CHANGE SPECIFICATIONS WITHOUT NOTICE OR INCURRING OBLIGATION

Lynch Products Can Be Modified to Suit Your Application

Phone: 1 (888) 626-4365 or +1 (905) 363-2400 Fax: 1 (800) 263-5807 www.lynch.ca sales@lynch.ca

Product Tips and Features

Subplates without Circuits

Subplates are designed to provide a means to connect a single solenoid valve to field piping either on the power unit or near the actuator.

1. Standard materials are Aluminum and Ductile Iron. Other materials including Mild Steel or Stainless Steel are optionally available.
2. Special Finishes including Black Oxide, Electroless Nickel Plating or Anodizing are optionally available.
3. UNC or Metric mounting bolt kits and any plugs that may be required are supplied as standard.
4. Clearance holes are located outside the solenoid valve interface limits wherever possible in order to facilitate valve assembly prior to mounting the subplate.
5. Internal galleries have been maximized in order to minimize pressure drops and fluid velocities.
6. Port spacing has been maximized and aligned simplifying the installation of piping and minimizing space requirements.
7. No variation in design layout for each Model regardless of Port Code.
8. All D05H and D05HE Subplates designed with dual tank ports on the solenoid interface in order to maximize valve performance.
9. "05T" Code provides dual tank ports without the pilot ports for D05H(E) designs for higher performance applications. See note on pages 4.03.03 and 4.03.04 for complete Part Number details.
10. "ST" Porting Style includes additional tank port on side in addition to bottom NPT tank port.
11. Servo Subplates are available. Please contact Factory for Part Numbers.
12. Subplates for Gasket Mount Reliefs, Pressure Reducers, Flow Controls, etc. are available. Please contact Factory for Part Numbers.

WE RESERVE THE RIGHT TO DISCONTINUE MODELS, OR CHANGE SPECIFICATIONS WITHOUT NOTICE OR INCURRING OBLIGATION

Lynch Products Can Be Modified to Suit Your Application

Phone: 1 (888) 626-4365 or + 1 (905) 363-2400 Fax: 1 (800) 263-5807 www.lynch.ca sales@lynch.ca

Index

Subplates without Circuits

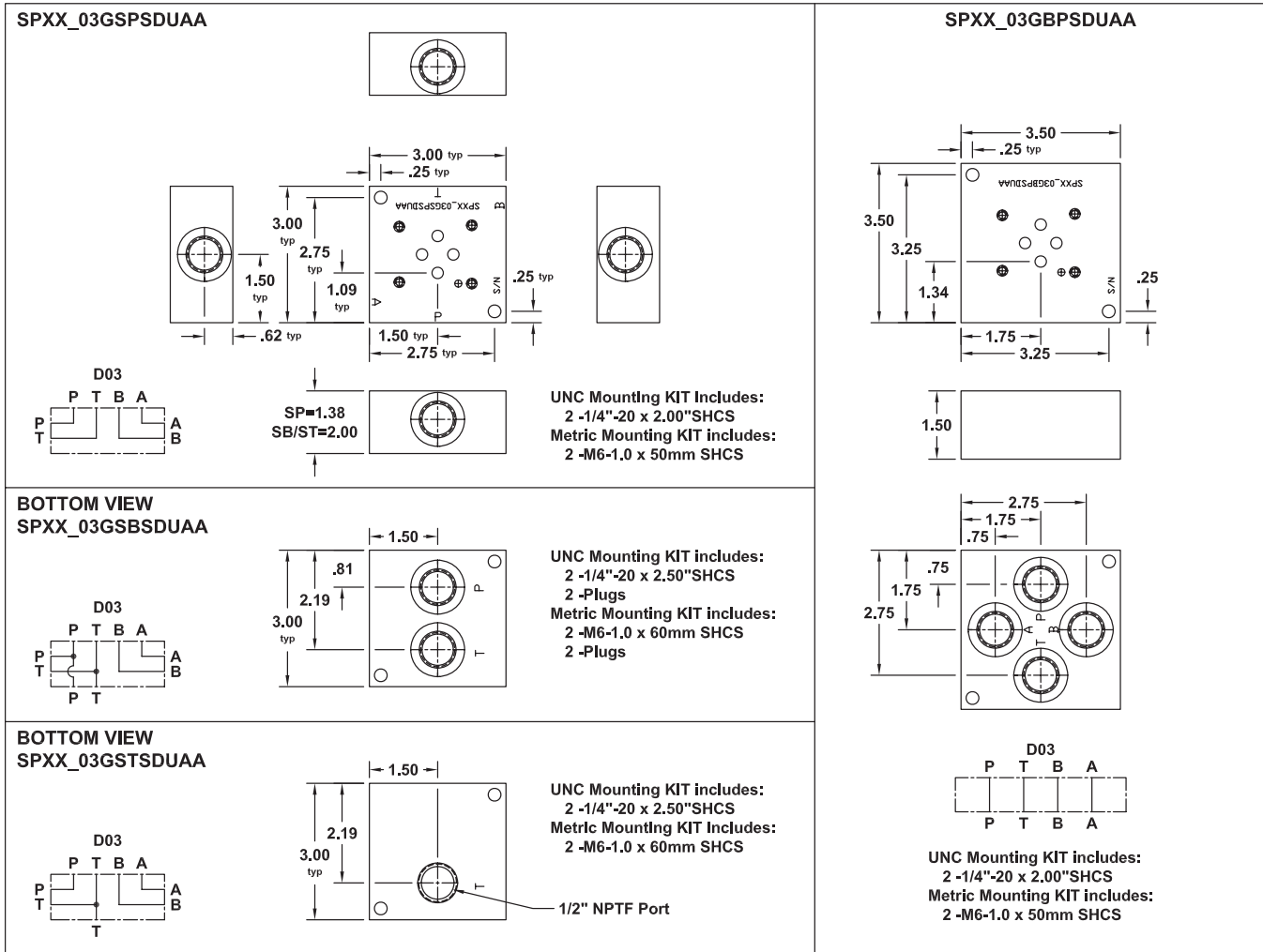
D03 Subplate - Nominal 1/4" & 3/8"	4.02.01
D03 Subplate - Nominal 1/2"	4.02.02
D03 Subplate - Nominal 3/4"	4.02.03
D05 Subplate - Nominal 1/2"	4.03.01
D05 Subplate - Nominal 3/4"	4.03.02
D05H/HE Subplate - Nominal 3/4"	4.03.03
D05H/HE Subplate - Nominal 1"	4.03.04
D07 Subplate - Nominal 3/4"	4.04.01
D07 Subplate - Nominal 1"	4.04.02
D08 Subplate - Nominal 1"	4.05.01
D08 Subplate - Nominal 1 1/4"	4.05.02
SPXX	
Servo Interfaces. ISO 10372 & proprietary	Consult Factory
S04	
S06	
57S	
44S	
PRV & Relief Interfaces ISO6264, ISO5781 & NFPA.....	Consult Factory
08R	
08P	
10P	
15R	
06F	
Oversized Interface Ports	Consult Factory

WE RESERVE THE RIGHT TO DISCONTINUE MODELS, OR CHANGE SPECIFICATIONS WITHOUT NOTICE OR INCURRING OBLIGATION

Lynch Products Can Be Modified to Suit Your Application

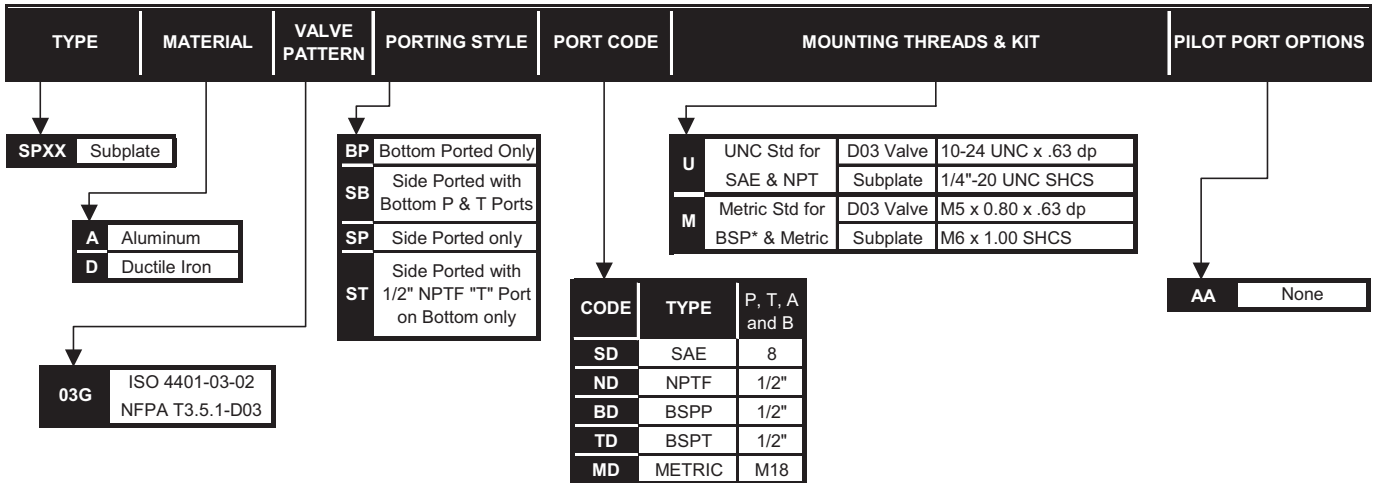
Phone: 1 (888) 626-4365 or +1 (905) 363-2400 Fax: 1 (800) 263-5807 www.lynch.ca sales@lynch.ca

D03 Subplate - Nominal 1/2"



PART NUMBER SYSTEM

Aluminum D03 Side Ported Subplate with SAE 8 Ports Example: **SPXXA03GSPSDUAA**

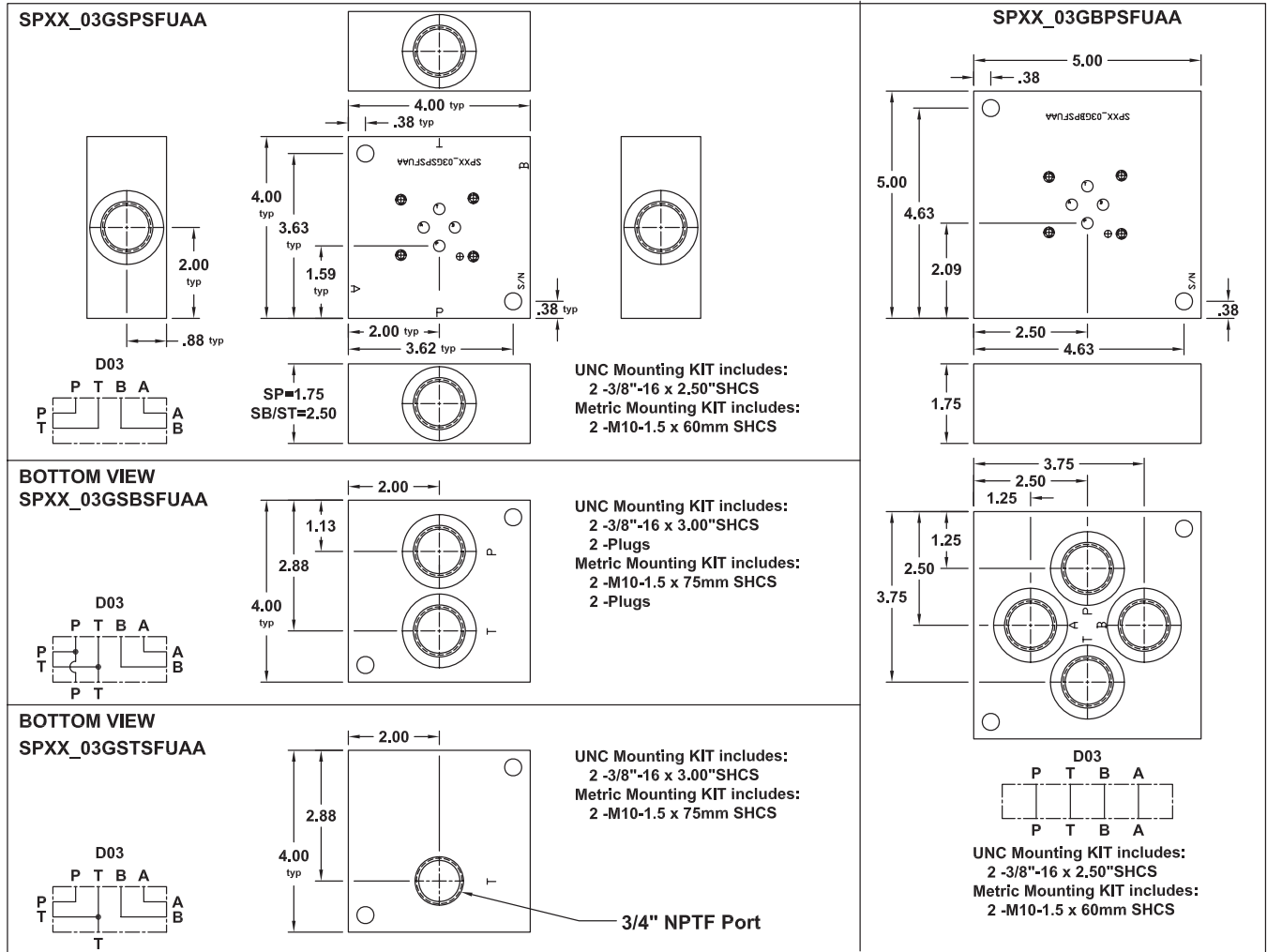


WE RESERVE THE RIGHT TO DISCONTINUE MODELS, OR CHANGE SPECIFICATIONS WITHOUT NOTICE OR INCURRING OBLIGATION

Lynch Products Can Be Modified to Suit Your Application

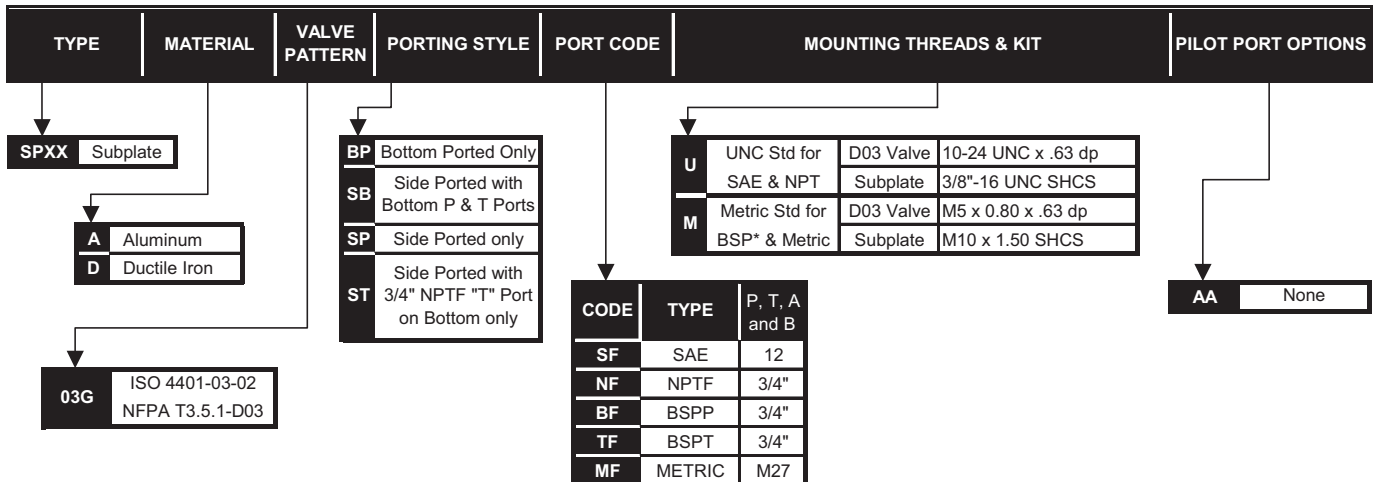
Phone: 1 (888) 626-4365 or +1 (905) 363-2400 Fax: 1 (800) 263-5807 www.lynch.ca sales@lynch.ca

D03 Subplate - Nominal 3/4"



PART NUMBER SYSTEM

Aluminum D03 Side Ported Subplate with SAE 12 Ports Example: **SPXXA03GSPSFUAA**

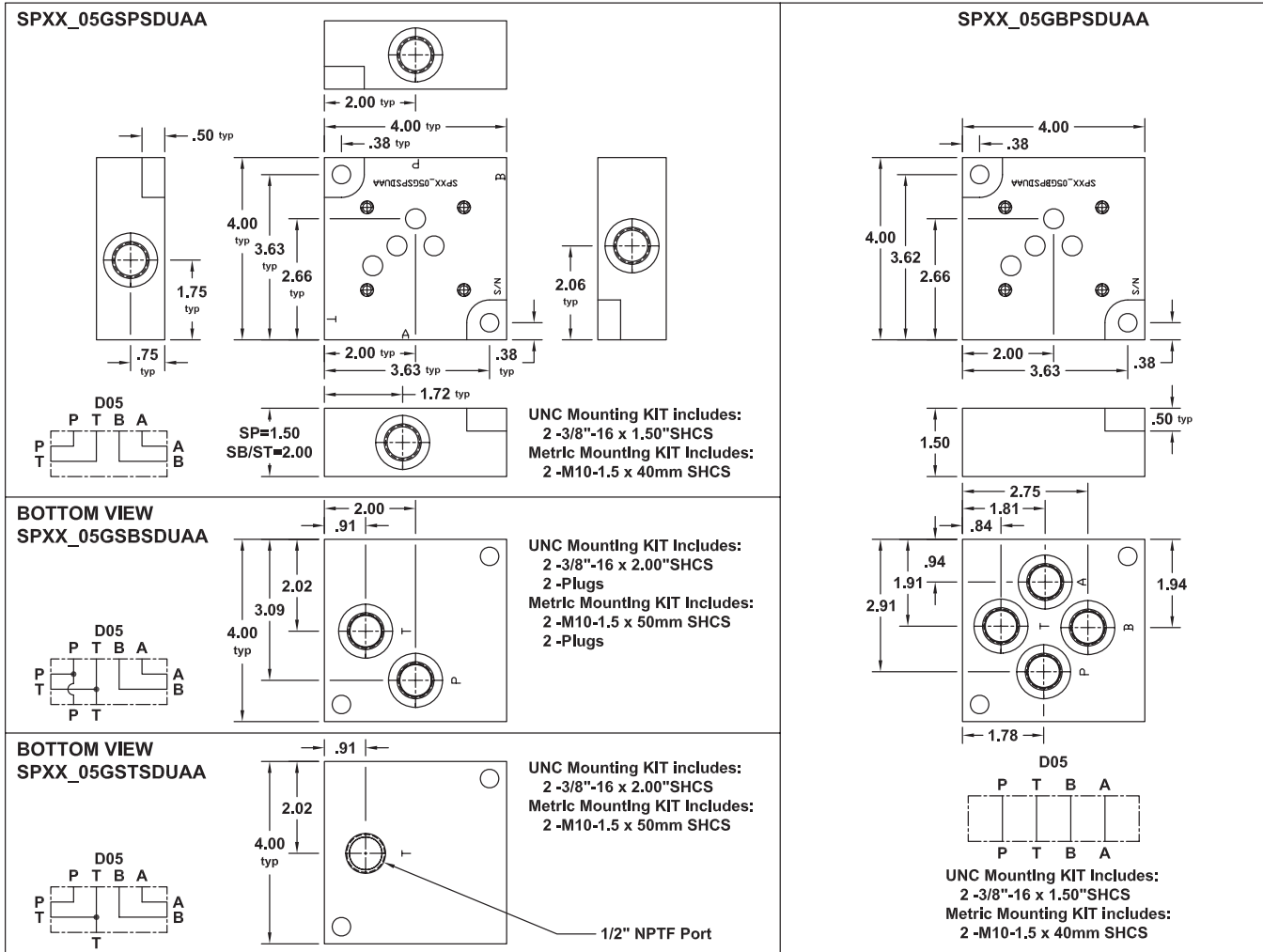


WE RESERVE THE RIGHT TO DISCONTINUE MODELS, OR CHANGE SPECIFICATIONS WITHOUT NOTICE OR INCURRING OBLIGATION

Lynch Products Can Be Modified to Suit Your Application

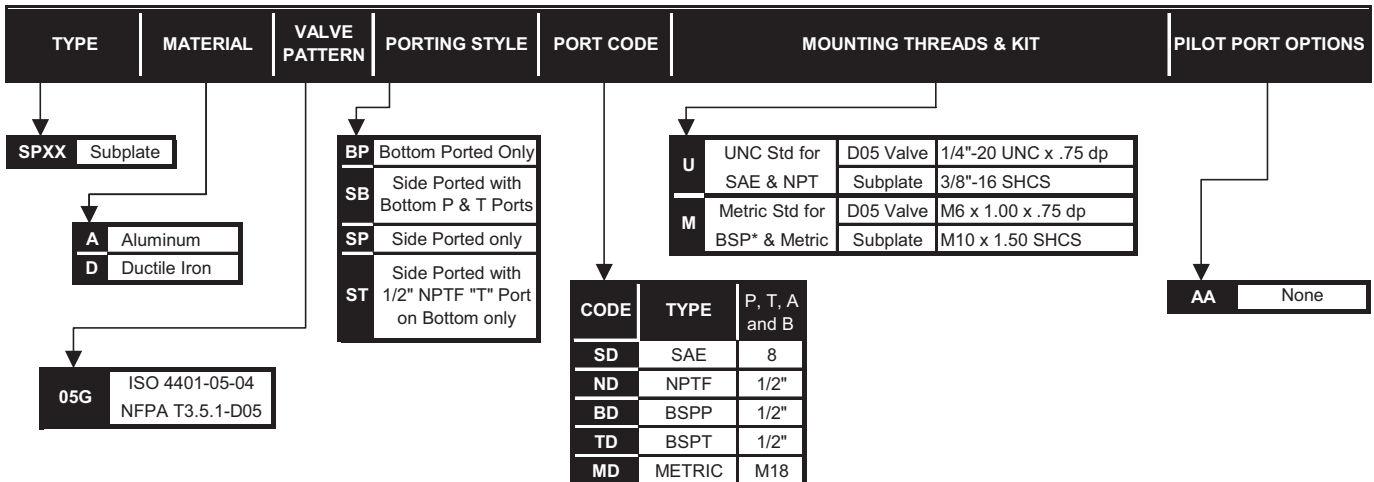
Phone: 1 (888) 626-4365 or +1 (905) 363-2400 Fax: 1 (800) 263-5807 www.lynch.ca sales@lynch.ca

D05 Subplate - Nominal 1/2"



PART NUMBER SYSTEM

Aluminum D05 Side Ported Subplate with SAE 8 Ports Example: **SPXXA05GSPSDUAA**

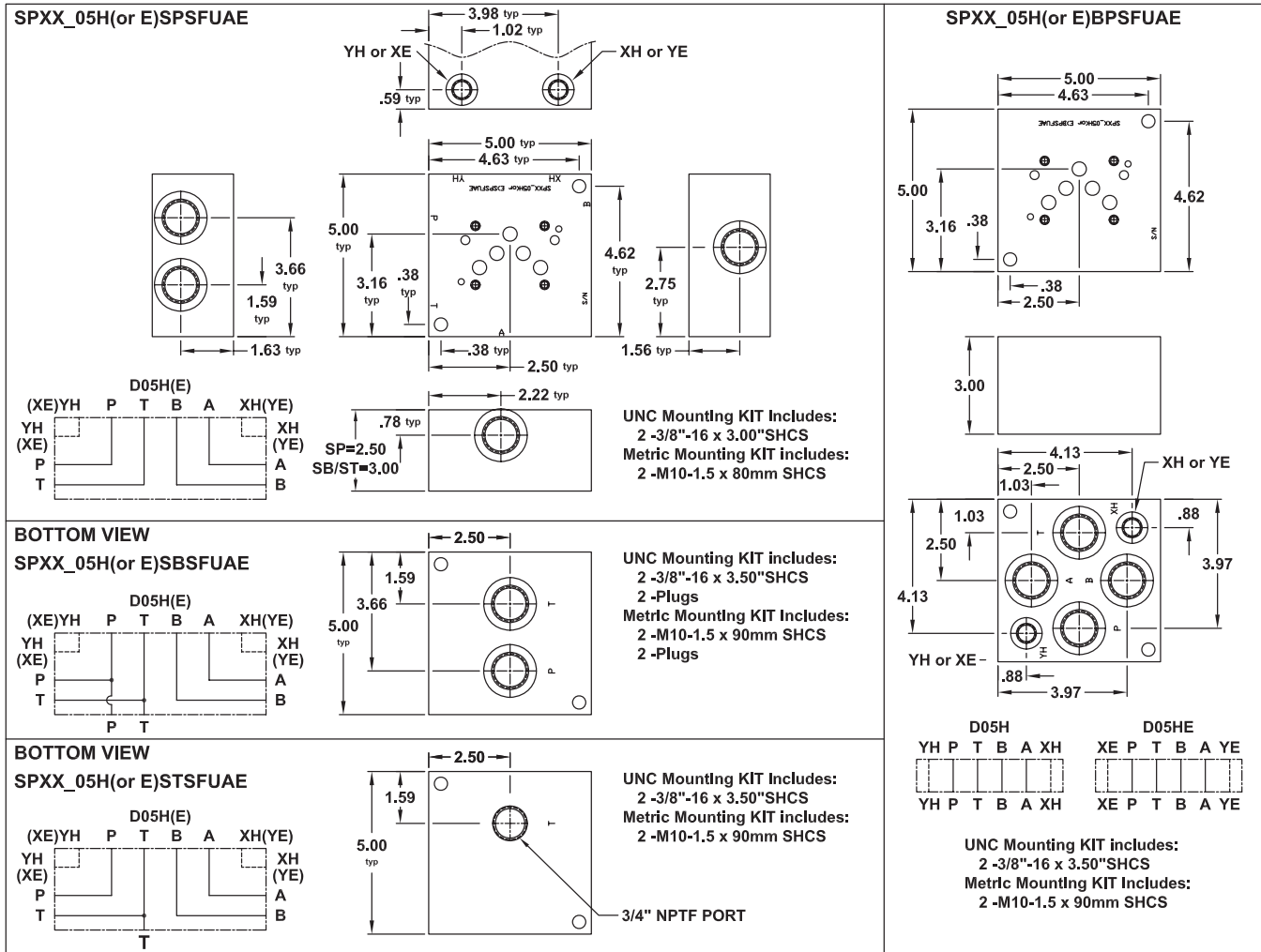


WE RESERVE THE RIGHT TO DISCONTINUE MODELS, OR CHANGE SPECIFICATIONS WITHOUT NOTICE OR INCURRING OBLIGATION

Lynch Products Can Be Modified to Suit Your Application

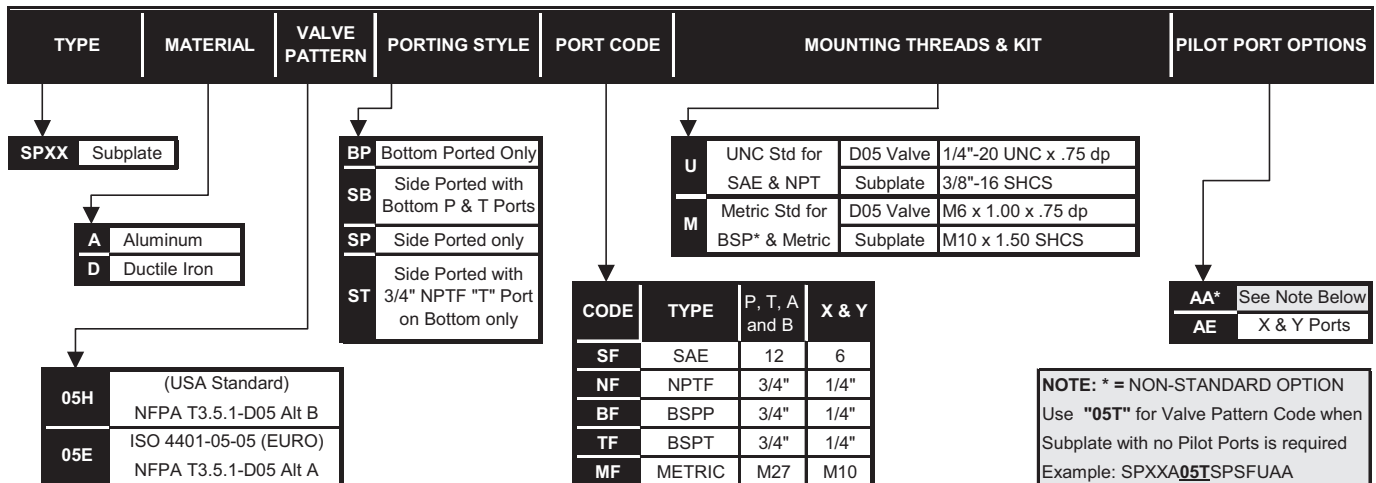
Phone: 1 (888) 626-4365 or +1 (905) 363-2400 Fax: 1 (800) 263-5807 www.lynch.ca sales@lynch.ca

D05H(E) Subplate - Nominal 3/4"



PART NUMBER SYSTEM

Aluminum D05H Side Ported Subplate with SAE 12 Ports & Pilot Ports Example: **SPXXA05HSPSFUAE**

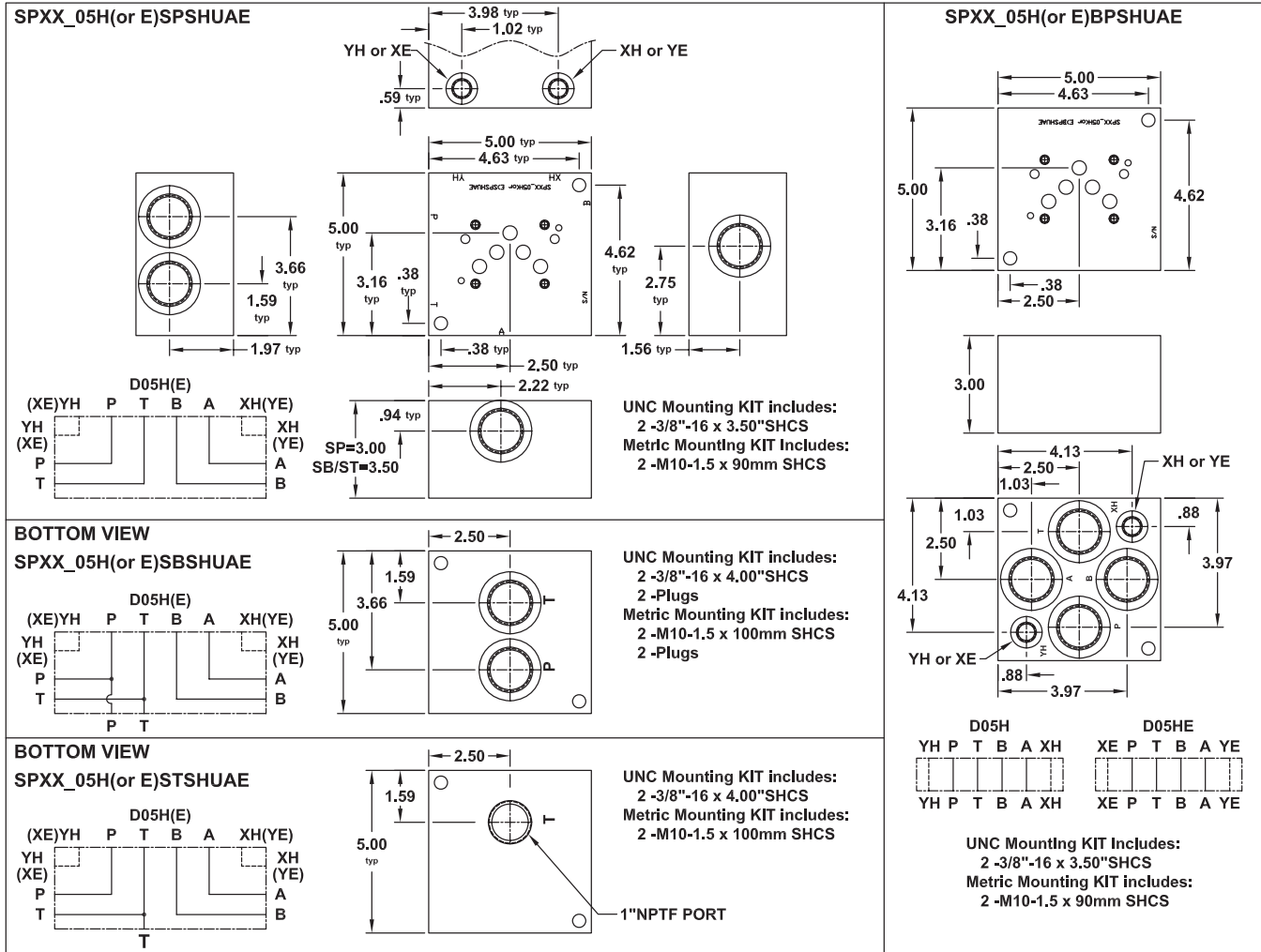


WE RESERVE THE RIGHT TO DISCONTINUE MODELS, OR CHANGE SPECIFICATIONS WITHOUT NOTICE OR INCURRING OBLIGATION

Lynch Products Can Be Modified to Suit Your Application

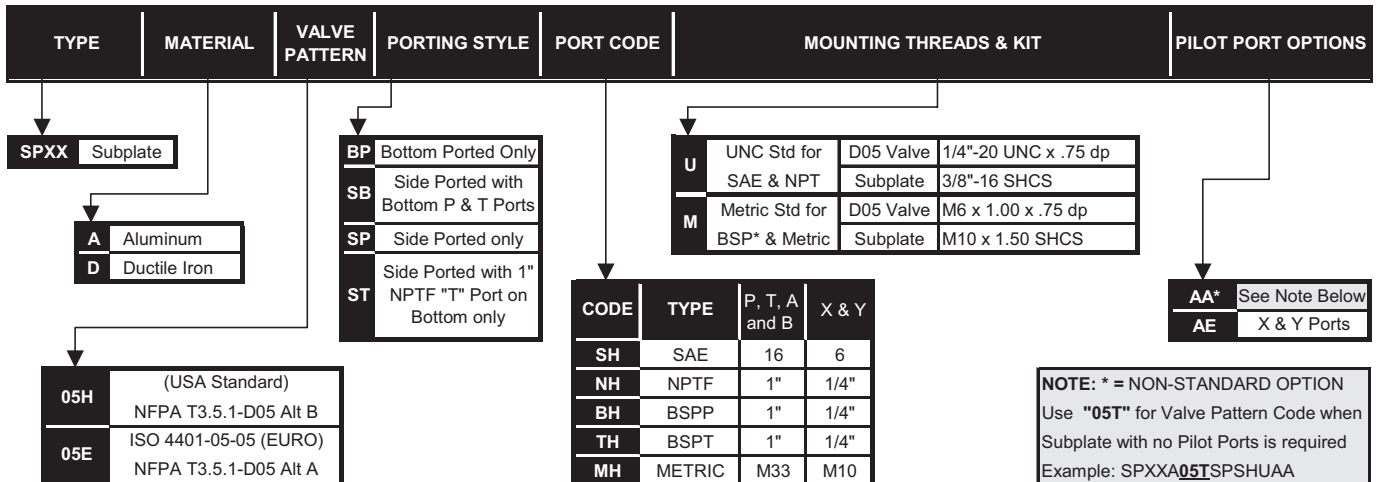
Phone: 1 (888) 626-4365 or +1 (905) 363-2400 Fax: 1 (800) 263-5807 www.lynch.ca sales@lynch.ca

D05H(E) Subplate - Nominal 1"



PART NUMBER SYSTEM

Aluminum D05H Side Ported Subplate with SAE 16 Ports & Pilot Ports Example: **SPXXA05HSPSHUAE**

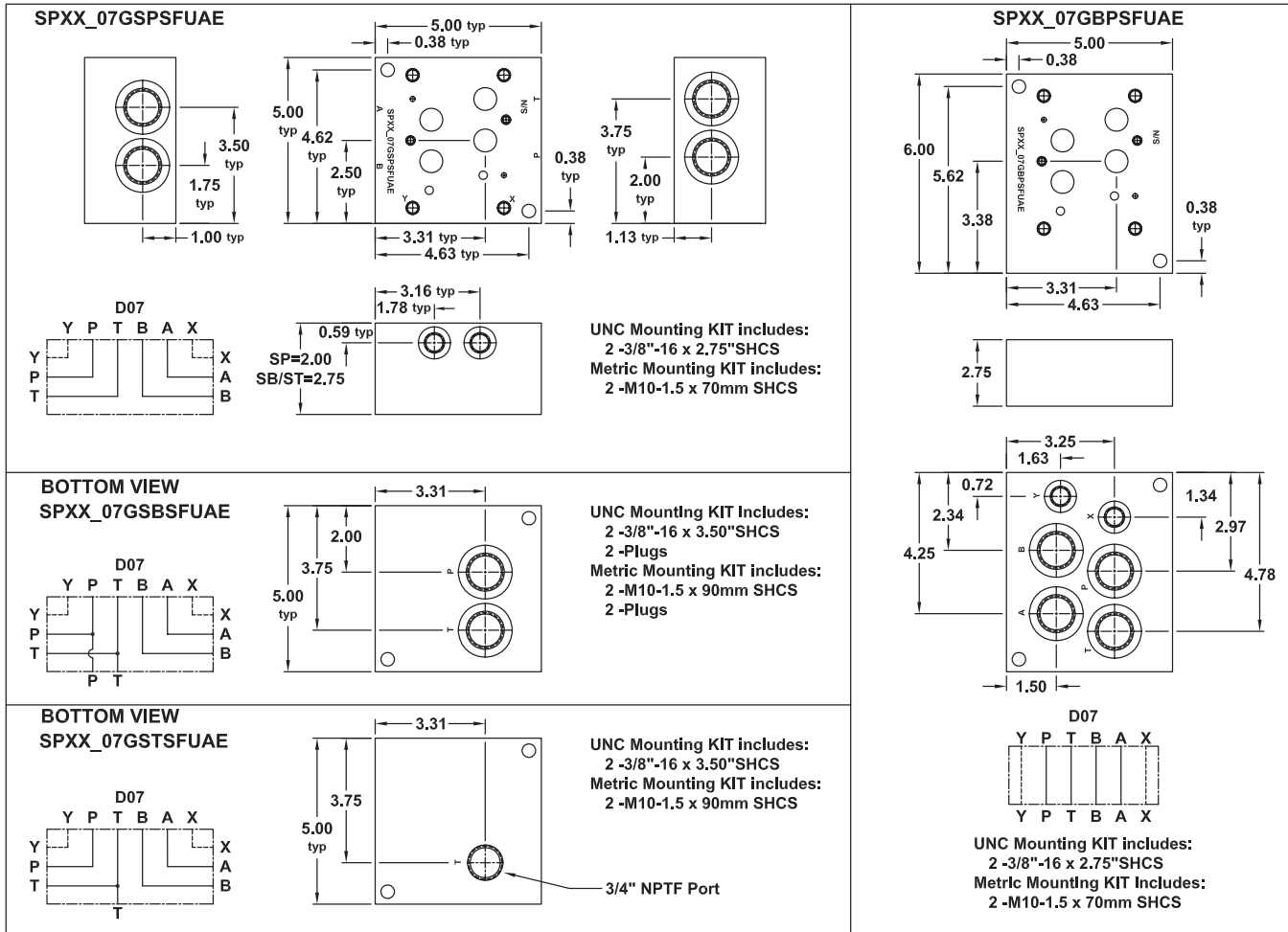


WE RESERVE THE RIGHT TO DISCONTINUE MODELS, OR CHANGE SPECIFICATIONS WITHOUT NOTICE OR INCURRING OBLIGATION

Lynch Products Can Be Modified to Suit Your Application

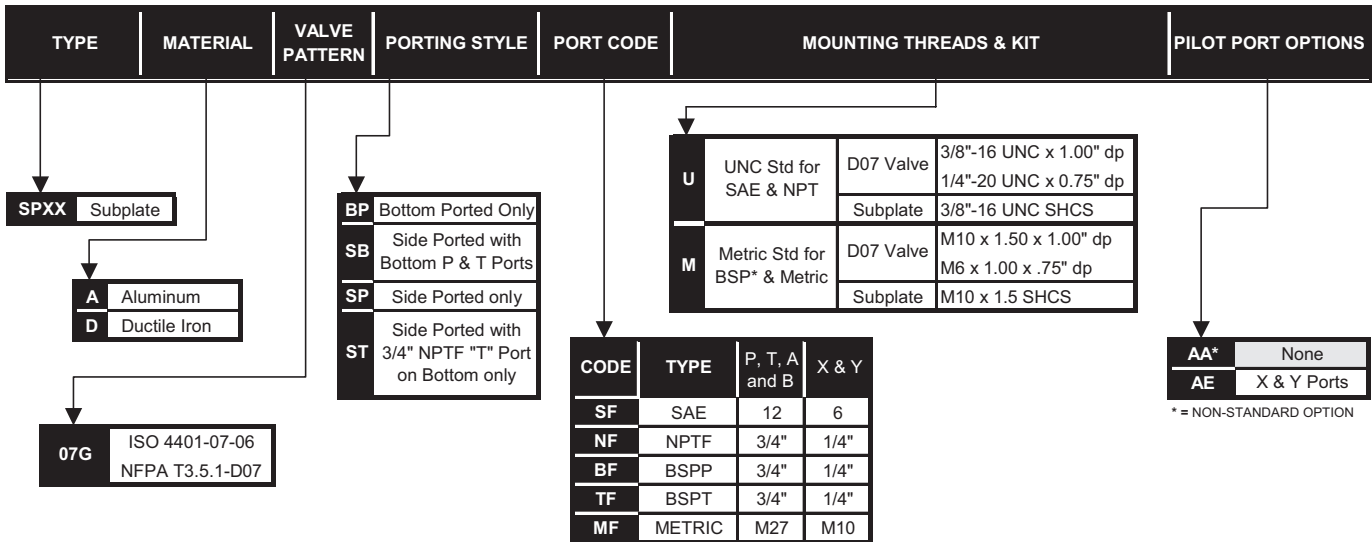
Phone: 1 (888) 626-4365 or +1 (905) 363-2400 Fax: 1 (800) 263-5807 www.lynch.ca sales@lynch.ca

D07 Subplate - Nominal 3/4"



PART NUMBER SYSTEM

Aluminum D07 Side Ported Subplate with SAE 12 Ports & Pilot Ports Example: **SPXXA07GSPSFUAE**

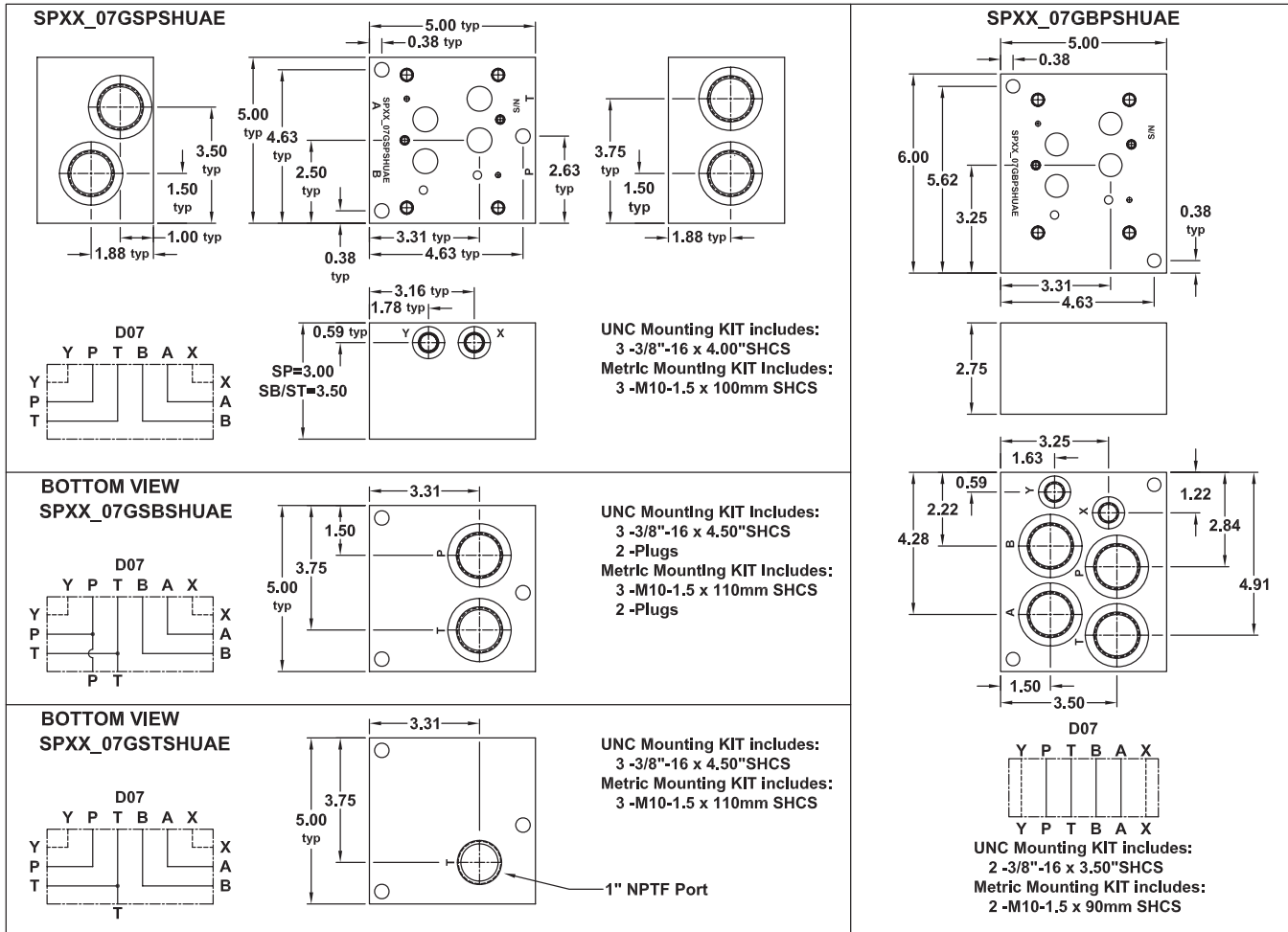


WE RESERVE THE RIGHT TO DISCONTINUE MODELS, OR CHANGE SPECIFICATIONS WITHOUT NOTICE OR INCURRING OBLIGATION

Lynch Products Can Be Modified to Suit Your Application

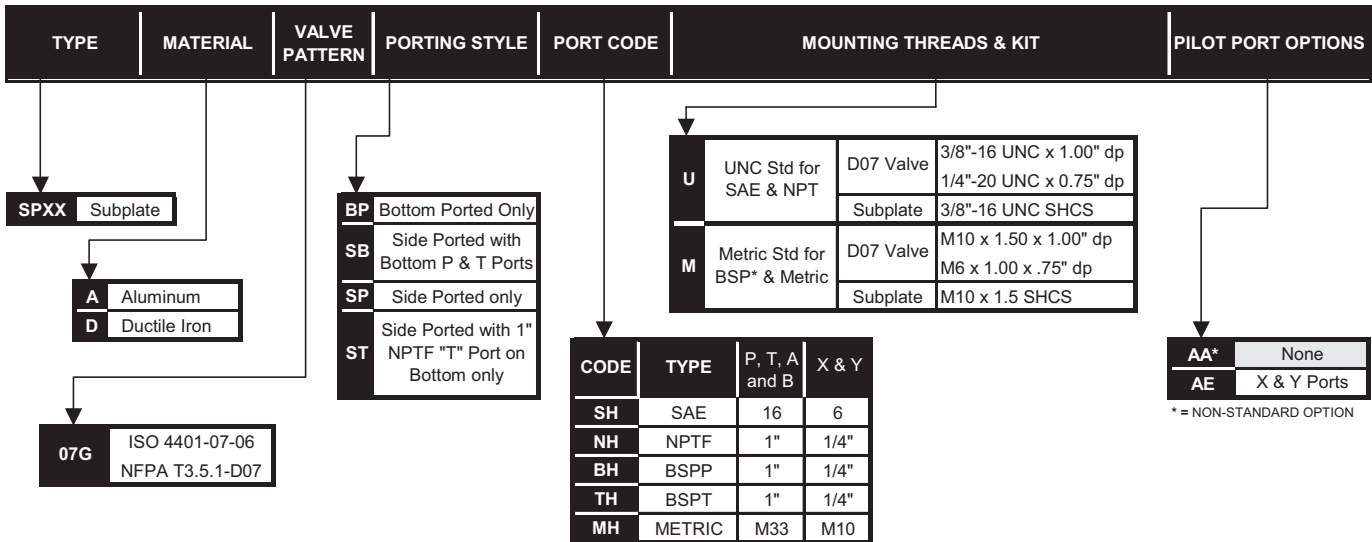
Phone: 1 (888) 626-4365 or +1 (905) 363-2400 Fax: 1 (800) 263-5807 www.lynch.ca sales@lynch.ca

D07 Subplate - Nominal 1"



PART NUMBER SYSTEM

Aluminum D07 Side Ported Subplate with SAE 16 Ports & Pilot Ports Example: **SPXXA07GSPSHUAE**

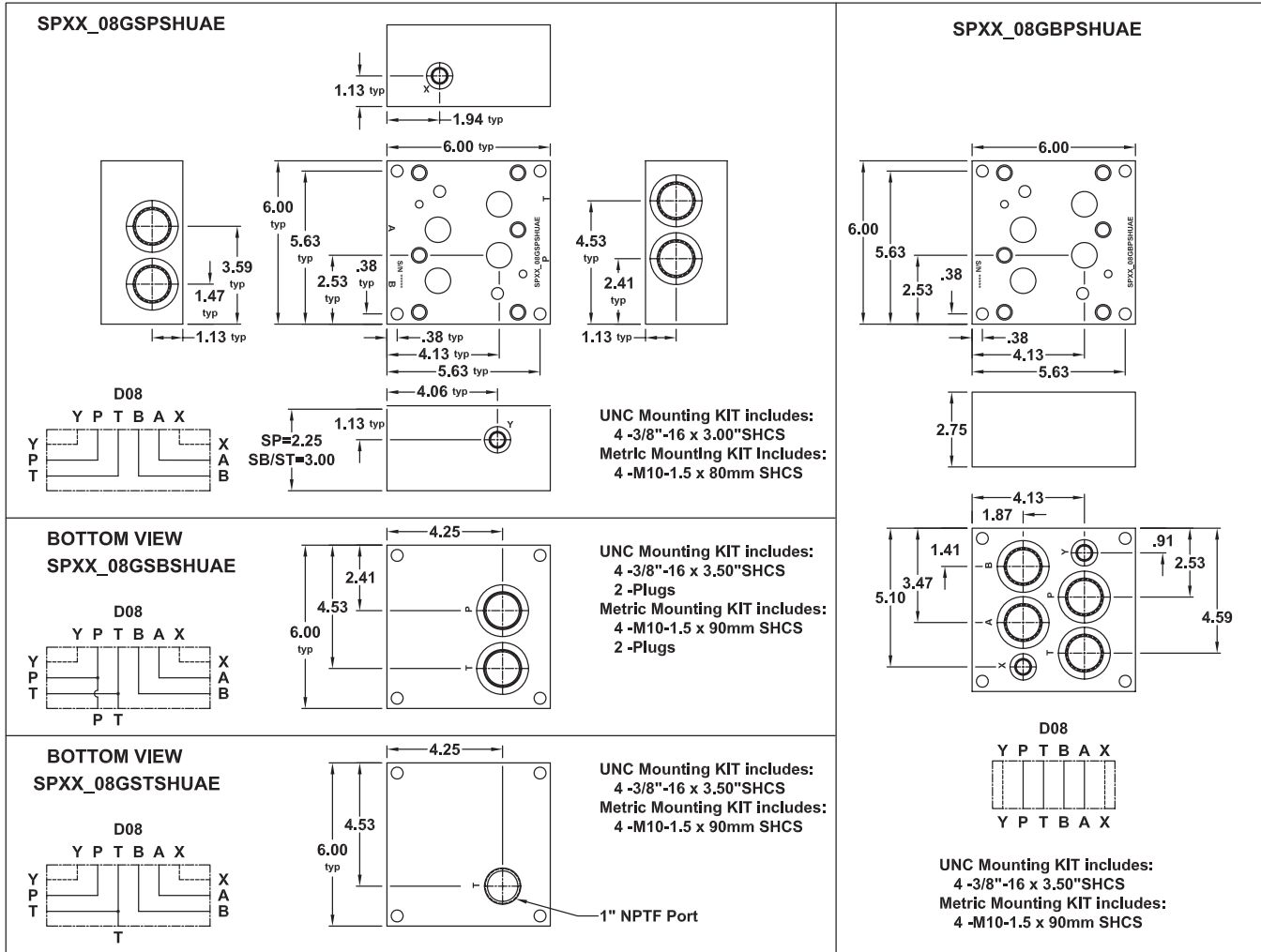


WE RESERVE THE RIGHT TO DISCONTINUE MODELS, OR CHANGE SPECIFICATIONS WITHOUT NOTICE OR INCURRING OBLIGATION

Lynch Products Can Be Modified to Suit Your Application

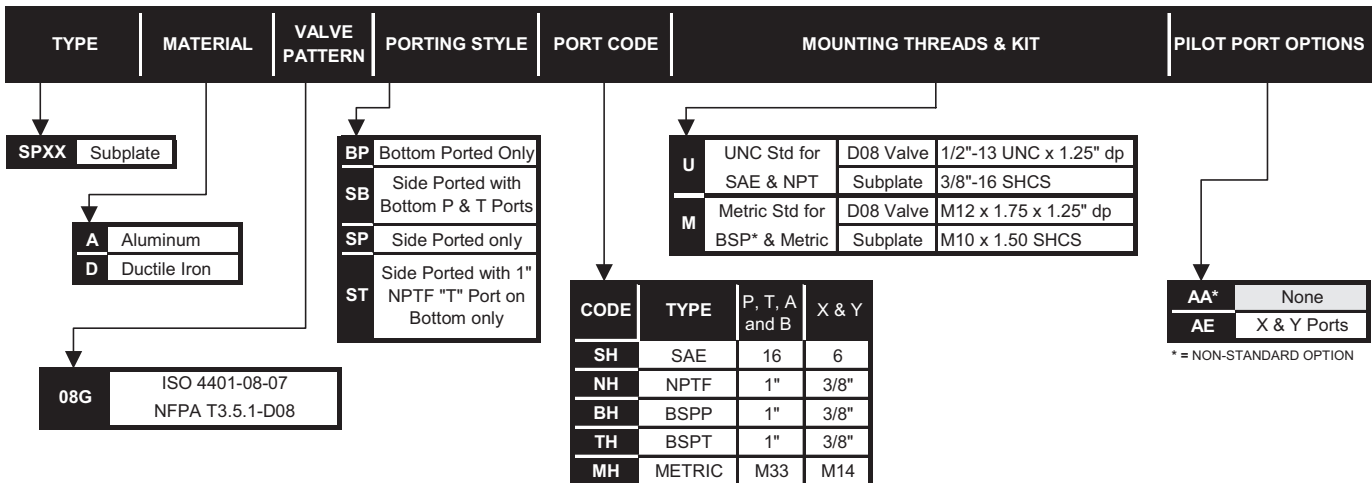
Phone: 1 (888) 626-4365 or +1 (905) 363-2400 Fax: 1 (800) 263-5807 www.lynch.ca sales@lynch.ca

D08 Subplate - Nominal 1"



PART NUMBER SYSTEM

Aluminum D08 Side Ported Subplate with SAE 16 Ports & Pilot Ports Example: **SPXXA08GSPSHUAE**

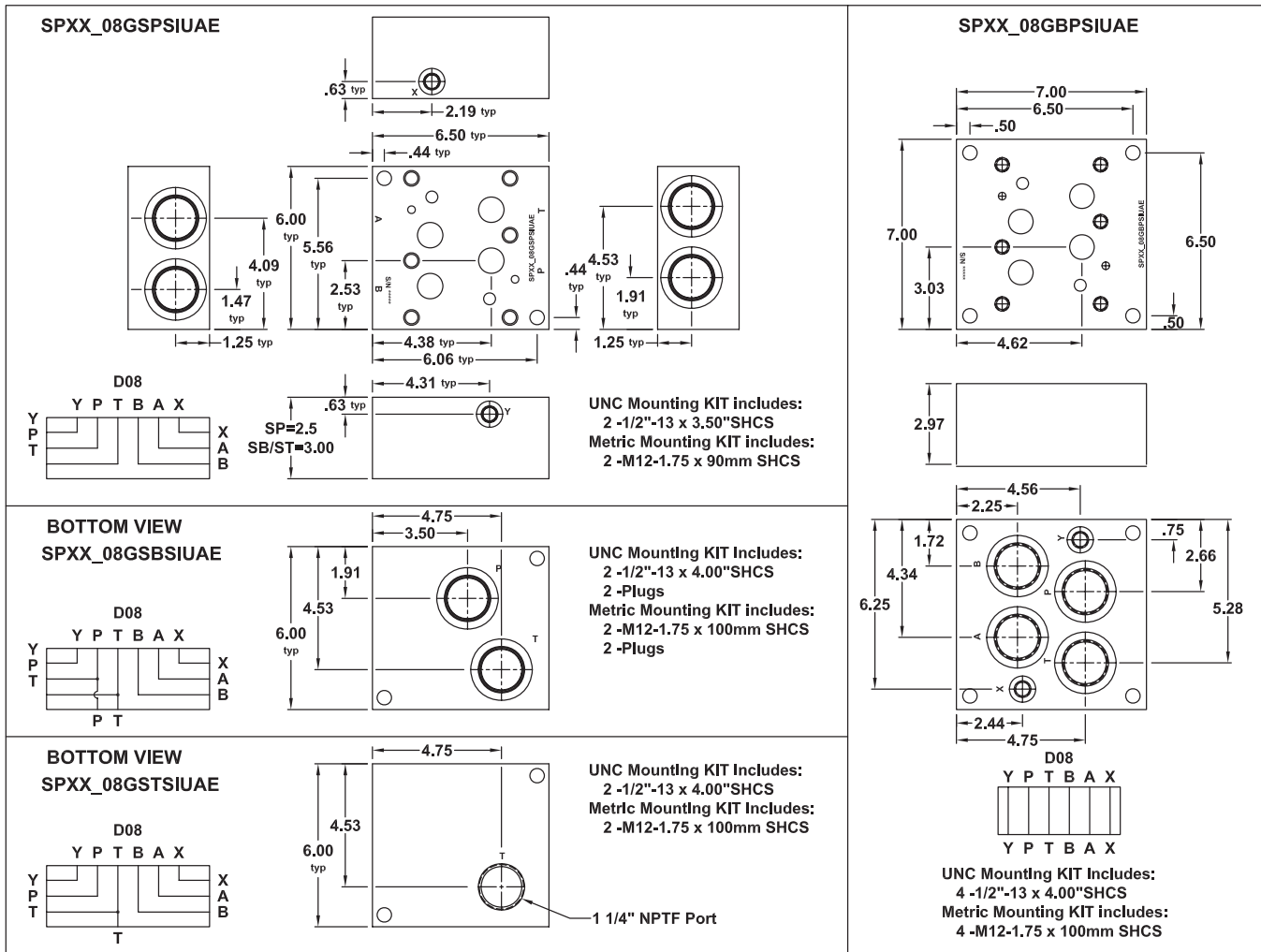


WE RESERVE THE RIGHT TO DISCONTINUE MODELS, OR CHANGE SPECIFICATIONS WITHOUT NOTICE OR INCURRING OBLIGATION

Lynch Products Can Be Modified to Suit Your Application

Phone: 1 (888) 626-4365 or +1 (905) 363-2400 Fax: 1 (800) 263-5807 www.lynch.ca sales@lynch.ca

D08 Subplate - Nominal 1-1/4"



PART NUMBER SYSTEM

Aluminum D08 Side Ported Sub-base with SAE 20 Ports & Pilot Ports Example: **SPXXA08GSPSIUAE**

TYPE	MATERIAL	VALVE PATTERN	PORTING STYLE	PORT CODE	MOUNTING THREADS & KIT	PILOT PORT OPTIONS
SPXX	Subplate					
A	Aluminum					
D	Ductile Iron					
08G	ISO 4401-08-07 NFPA T3.5.1-D08					
BP	Bottom Ported Only					
SB	Side Ported with Bottom P & T Ports					
SP	Side Ported only					
ST	Side Ported with 1-1/4" NPTF "T" Port on Bottom only					
U	UNC Std for SAE & NPT	D08 Valve	1/2"-13 UNC x 1.25" dp			
M	Metric Std for BSP* & Metric	Subplate	1/2"-13 UNC SHCS			
		D08 Valve	M12 x 1.75 x 1.25" dp			
		Subplate	M12 x 1.75 SHCS			
SI	SAE	P, T, A and B	20	X & Y		
NI	NPTF		1 1/4"	3/8"		
BI	BSPP		1 1/4"	3/8"		
TI	BSPT		1 1/4"	3/8"		
MI	METRIC		M42	M14		
AA*	None					
AE	X & Y Ports					

* = NON-STANDARD OPTION

WE RESERVE THE RIGHT TO DISCONTINUE MODELS, OR CHANGE SPECIFICATIONS WITHOUT NOTICE OR INCURRING OBLIGATION

Lynch Products Can Be Modified to Suit Your Application

Product Tips and Features

Subplates with Circuits

Subplates with Relief from P to T are designed to provide a means to connect a single solenoid valve to field piping either on the power unit or near the actuator. This manifold provides an integral system relief cavity to minimize piping.

1. Standard materials are Aluminum and Ductile Iron. Other materials including Mild Steel or Stainless Steel are optionally available.
2. Special Finishes including Black Oxide, Electroless Nickel Plating or Anodizing are optionally available.
3. UNC or Metric mounting bolt kits and any plugs that may be required are supplied as standard.
4. Clearance holes are located outside the solenoid valve interface limits wherever possible in order to facilitate valve assembly prior to mounting the subplate.
5. Internal galleries have been maximized in order to minimize pressure drops and fluid velocities.
6. Port spacing has been maximized and aligned simplifying the installation of piping and minimizing space requirements.
7. No variation in design layout for each Model regardless of Port Code.
8. Gauge Ports on Pressure Port are standard in order to facilitate the setting of the relief valve.
9. All D05H and D05HE Subplates designed with dual tank ports on the solenoid interface in order to maximize valve performance.
10. "05T" Code provides dual tank ports without the pilot ports for D05H(E) designs for higher performance applications. See note on data sheets 5.03.02 and 5.03.03 for complete Part Number details.
11. "ST" Porting Style includes additional tank port on side in addition to bottom NPT tank port.
12. Subplates with Circuits such as "P" Port Check With and Without Reliefs, Reducer on "P" Port and Cross-Line reliefs on "A" and "B" Ports are available. Please contact Factory for Part Numbers.

WE RESERVE THE RIGHT TO DISCONTINUE MODELS, OR CHANGE SPECIFICATIONS WITHOUT NOTICE OR INCURRING OBLIGATION

Lynch Products Can Be Modified to Suit Your Application

Phone: 1 (888) 626-4365 or +1 (905) 363-2400 Fax: 1 (800) 263-5807 www.lynch.ca sales@lynch.ca

Index

Subplates with Circuits

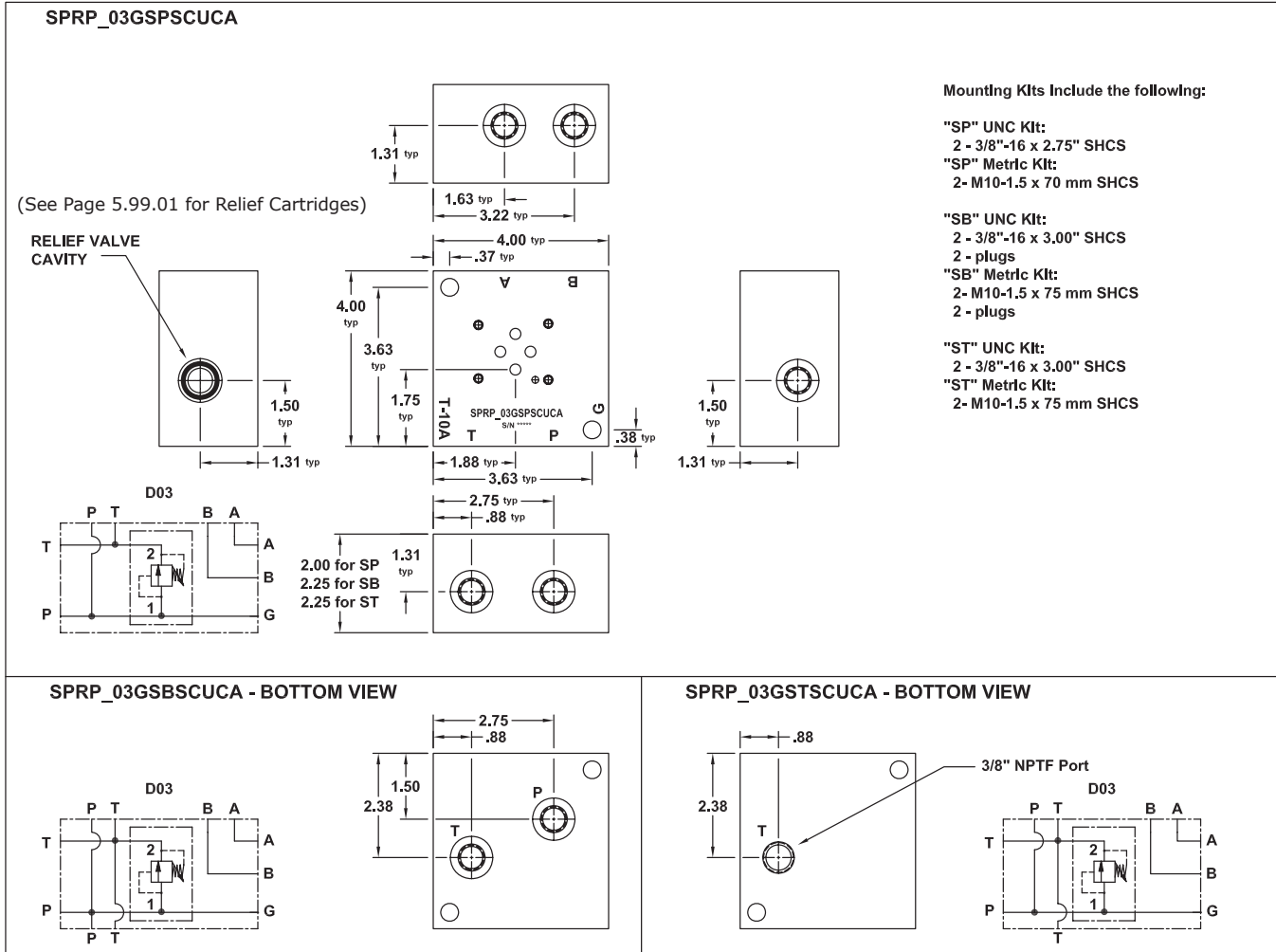
D03 Subplate with P To T Relief - Nominal 3/8"	5.02.01
D03 Subplate with P To T Relief - Nominal 1/2"	5.02.02
D03 Subplate with P To T Relief - Nominal 3/4"	5.02.03
D05 Subplate with P To T Relief - Nominal 1/2"	5.03.01
D05H/HE Subplate with P To T Relief - Nominal 3/4"	5.03.02
D05H/HE Subplate with P To T Relief - Nominal 1"	5.03.03
D07 Subplate with P To T Relief - Nominal 3/4"	5.04.01
D07 Subplate with P To T Relief - Nominal 1"	5.04.02
D08 Subplate with P To T Relief - Nominal 1"	5.05.01
D08 Subplate with P To T Relief - Nominal 1 1/4"	5.05.02
Relief Valves.....	5.99.01

WE RESERVE THE RIGHT TO DISCONTINUE MODELS, OR CHANGE SPECIFICATIONS WITHOUT NOTICE OR INCURRING OBLIGATION

Lynch Products Can Be Modified to Suit Your Application

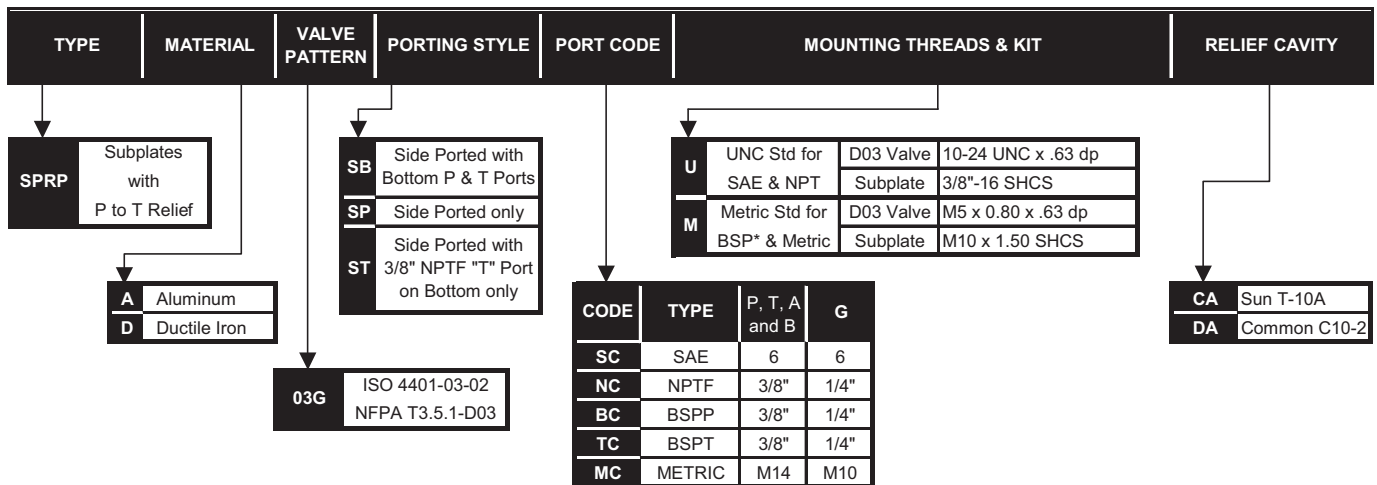
Phone: 1 (888) 626-4365 or +1 (905) 363-2400 Fax: 1 (800) 263-5807 www.lynch.ca sales@lynch.ca

D03 Subplate with Relief - Nominal 3/8"



PART NUMBER SYSTEM

Aluminum D03 Side Ported Subplate with SAE 6 Ports & T-10A Relief Example: **SPRPA03GSPSCUCA**



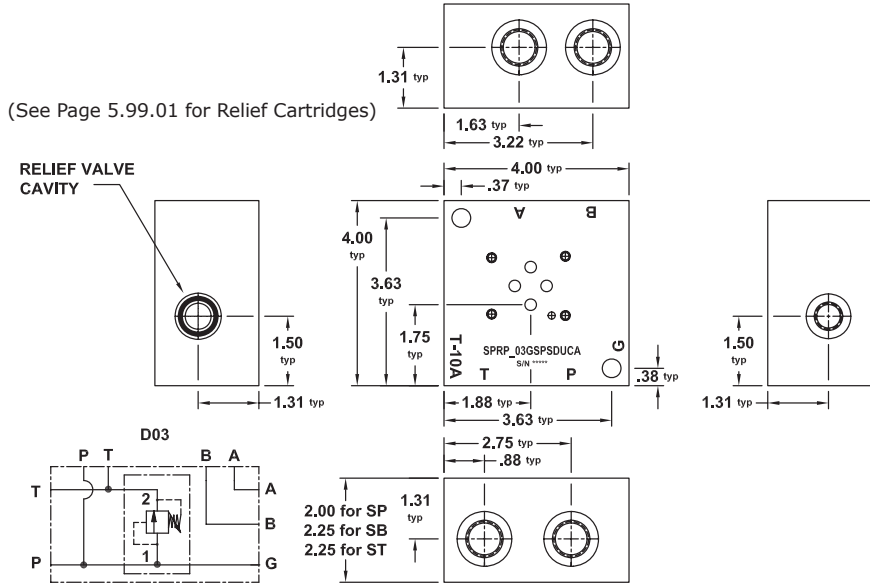
WE RESERVE THE RIGHT TO DISCONTINUE MODELS, OR CHANGE SPECIFICATIONS WITHOUT NOTICE OR INCURRING OBLIGATION

Lynch Products Can Be Modified to Suit Your Application

Phone: 1 (888) 626-4365 or +1 (905) 363-2400 Fax: 1 (800) 263-5807 www.lynch.ca sales@lynch.ca

D03 Subplate with Relief - Nominal 1/2"

SPRP_03GSPSDUCA



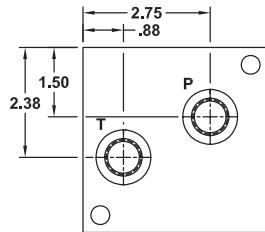
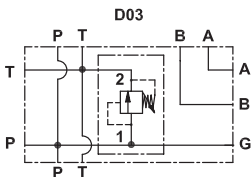
Mounting Kits Include the following:

"SP" UNC Kit:
2 - 3/8"-16 x 2.75" SHCS
"SP" Metric Kit:
2 - M10-1.5 x 70 mm SHCS

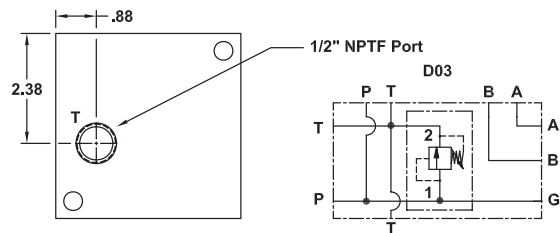
"SB" UNC Kit:
2 - 3/8"-16 x 3.00" SHCS
2 - plugs
"SB" Metric Kit:
2 - M10-1.5 x 75 mm SHCS
2 - plugs

"ST" UNC Kit:
2 - 3/8"-16 x 3.00" SHCS
"ST" Metric Kit:
2 - M10-1.5 x 75 mm SHCS

SPRP_03GSBSDUCA - BOTTOM VIEW



SPRP_03GSTSDUCA - BOTTOM VIEW



PART NUMBER SYSTEM

Aluminum D03 Side Ported Subplate with SAE 8 Ports & T-10A Relief Example: **SPRPA03GSPSDUCA**

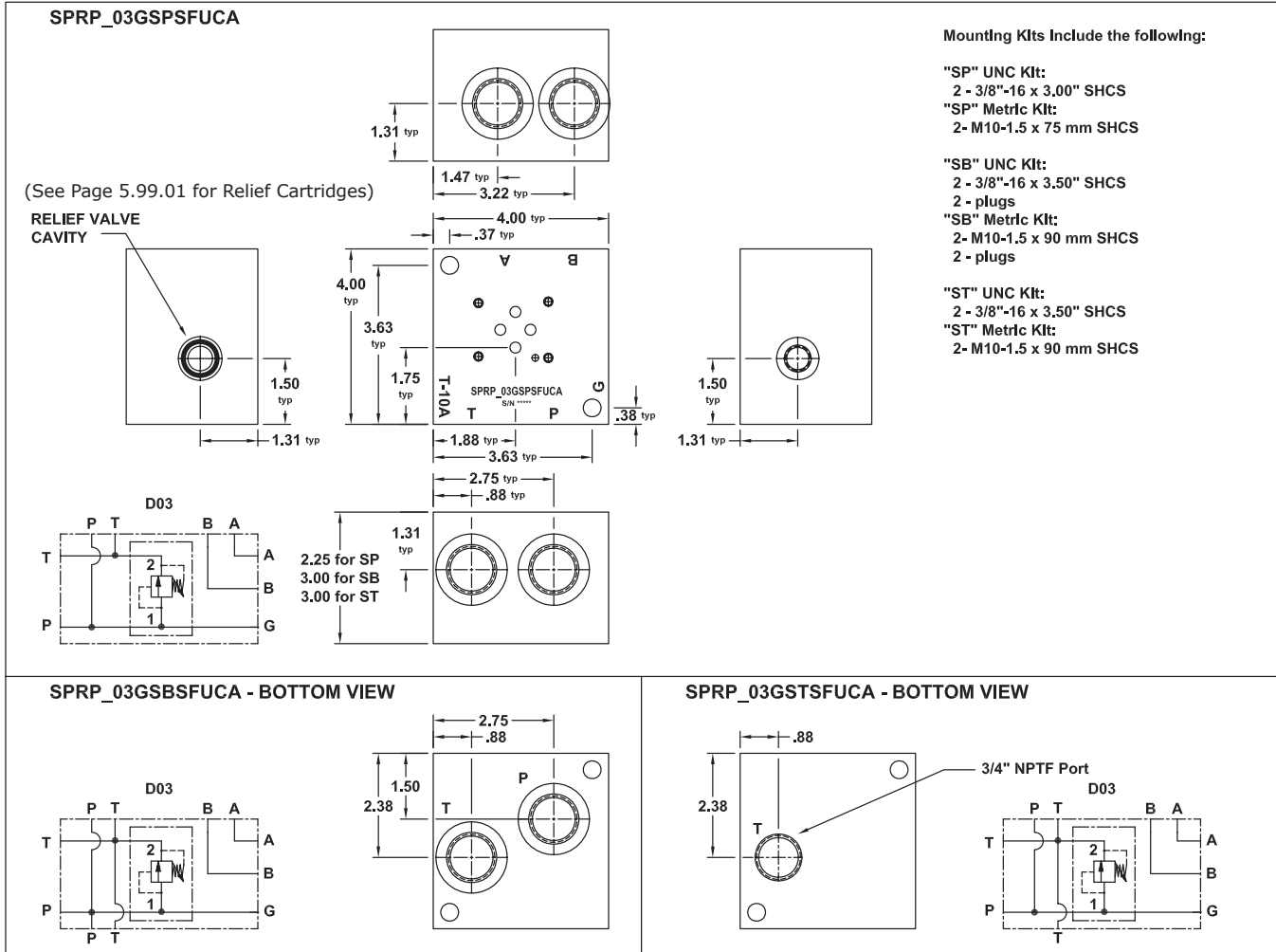
TYPE	MATERIAL	VALVE PATTERN	PORTING STYLE	PORT CODE	MOUNTING THREADS & KIT	RELIEF CAVITY																						
SPRP	Subplates with P to T Relief		SB Side Ported with Bottom P & T Ports SP Side Ported only ST Side Ported with 1/2" NPTF "T" Port on Bottom only	U UNC Std for SAE & NPT M Metric Std for BSP* & Metric	<table border="1"> <tr> <td>D03 Valve</td> <td>10-24 UNC x .63 dp</td> </tr> <tr> <td>Subplate</td> <td>3/8"-16 SHCS</td> </tr> <tr> <td>D03 Valve</td> <td>M5 x 0.80 x .63 dp</td> </tr> <tr> <td>Subplate</td> <td>M10 x 1.50 SHCS</td> </tr> </table>	D03 Valve	10-24 UNC x .63 dp	Subplate	3/8"-16 SHCS	D03 Valve	M5 x 0.80 x .63 dp	Subplate	M10 x 1.50 SHCS	<table border="1"> <tr> <td>CA</td> <td>Sun T-10A</td> </tr> <tr> <td>DA</td> <td>Common C10-2</td> </tr> </table>	CA	Sun T-10A	DA	Common C10-2										
	D03 Valve	10-24 UNC x .63 dp																										
Subplate	3/8"-16 SHCS																											
D03 Valve	M5 x 0.80 x .63 dp																											
Subplate	M10 x 1.50 SHCS																											
CA	Sun T-10A																											
DA	Common C10-2																											
A D	Aluminum Ductile Iron	03G	ISO 4401-03-02 NFFPA T3.5.1-D03	<table border="1"> <thead> <tr> <th>CODE</th> <th>TYPE</th> <th>P, T, A and B</th> <th>G</th> </tr> </thead> <tbody> <tr> <td>SD</td> <td>SAE</td> <td>8</td> <td>6</td> </tr> <tr> <td>ND</td> <td>NPTF</td> <td>1/2"</td> <td>1/4"</td> </tr> <tr> <td>BD</td> <td>BSPP</td> <td>1/2"</td> <td>1/4"</td> </tr> <tr> <td>TD</td> <td>BSPT</td> <td>1/2"</td> <td>1/4"</td> </tr> <tr> <td>MD</td> <td>METRIC</td> <td>M18</td> <td>M10</td> </tr> </tbody> </table>	CODE	TYPE	P, T, A and B	G	SD	SAE	8	6	ND	NPTF	1/2"	1/4"	BD	BSPP	1/2"	1/4"	TD	BSPT	1/2"	1/4"	MD	METRIC	M18	M10
CODE	TYPE	P, T, A and B	G																									
SD	SAE	8	6																									
ND	NPTF	1/2"	1/4"																									
BD	BSPP	1/2"	1/4"																									
TD	BSPT	1/2"	1/4"																									
MD	METRIC	M18	M10																									

WE RESERVE THE RIGHT TO DISCONTINUE MODELS, OR CHANGE SPECIFICATIONS WITHOUT NOTICE OR INCURRING OBLIGATION

Lynch Products Can Be Modified to Suit Your Application

Phone: 1 (888) 626-4365 or +1 (905) 363-2400 Fax: 1 (800) 263-5807 www.lynch.ca sales@lynch.ca

D03 Subplate with Relief - Nominal 3/4"



PART NUMBER SYSTEM

Aluminum D03 Side Ported Subplate with SAE 12 Ports & T-10A Relief Example: **SPRPA03GSPSFUCA**

TYPE	MATERIAL	VALVE PATTERN	PORTING STYLE	PORT CODE	MOUNTING THREADS & KIT	RELIEF CAVITY																								
SPRP	Subplates with P to T Relief		SB Side Ported with Bottom P & T Ports SP Side Ported only ST Side Ported with 3/4" NPTF "T" Port on Bottom only	U UNC Std for D03 Valve M Metric Std for D03 Valve	10-24 UNC x .63 dp 3/8"-16 SHCS	CA Sun T-10A DA Common C10-2																								
	A Aluminum D Ductile Iron	03G ISO 4401-03-02 NFPA T3.5.1-D03			M5 x 0.80 x .63 dp M10 x 1.50 SHCS																									
<table border="1"> <thead> <tr> <th>CODE</th> <th>TYPE</th> <th>P, T, A and B</th> <th>G</th> </tr> </thead> <tbody> <tr> <td>SF</td> <td>SAE</td> <td>12</td> <td>6</td> </tr> <tr> <td>NF</td> <td>NPTF</td> <td>3/4"</td> <td>1/4"</td> </tr> <tr> <td>BF</td> <td>BSP</td> <td>3/4"</td> <td>1/4"</td> </tr> <tr> <td>TF</td> <td>BSPT</td> <td>3/4"</td> <td>1/4"</td> </tr> <tr> <td>MF</td> <td>METRIC</td> <td>M27</td> <td>M10</td> </tr> </tbody> </table>							CODE	TYPE	P, T, A and B	G	SF	SAE	12	6	NF	NPTF	3/4"	1/4"	BF	BSP	3/4"	1/4"	TF	BSPT	3/4"	1/4"	MF	METRIC	M27	M10
CODE	TYPE	P, T, A and B	G																											
SF	SAE	12	6																											
NF	NPTF	3/4"	1/4"																											
BF	BSP	3/4"	1/4"																											
TF	BSPT	3/4"	1/4"																											
MF	METRIC	M27	M10																											

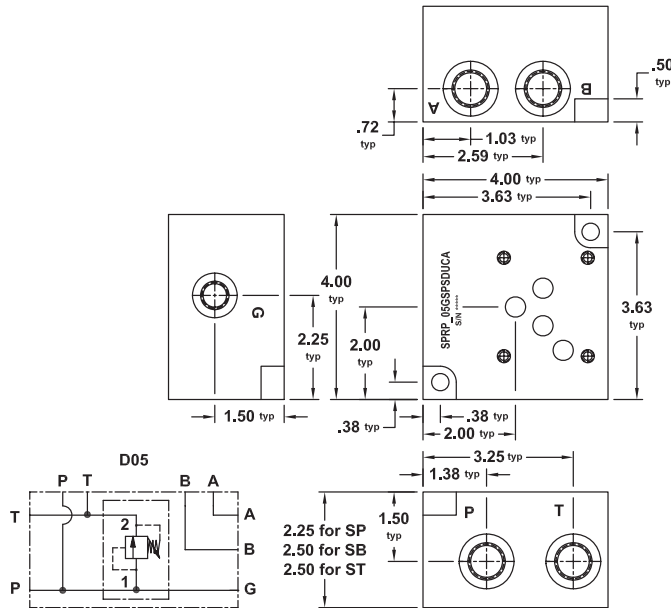
WE RESERVE THE RIGHT TO DISCONTINUE MODELS, OR CHANGE SPECIFICATIONS WITHOUT NOTICE OR INCURRING OBLIGATION

Lynch Products Can Be Modified to Suit Your Application

Phone: 1 (888) 626-4365 or +1 (905) 363-2400 Fax: 1 (800) 263-5807 www.lynch.ca sales@lynch.ca

D05 Subplate with Relief - Nominal 1/2"

SPRP_05GSPSDUCA



Mounting Kits Include the following:

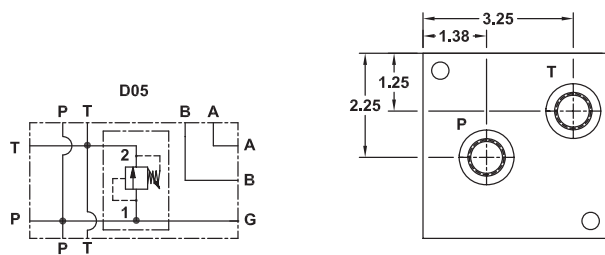
"SP" UNC Kit:
2 - 3/8"-16 x 2.50" SHCS
"SP" Metric Kit:
2 - M10-1.5 x 65 mm SHCS

"SB" UNC Kit:
2 - 3/8"-16 x 2.75" SHCS
2 - plugs
"SB" Metric Kit:
2 - M10-1.5 x 70 mm SHCS
2 - plugs

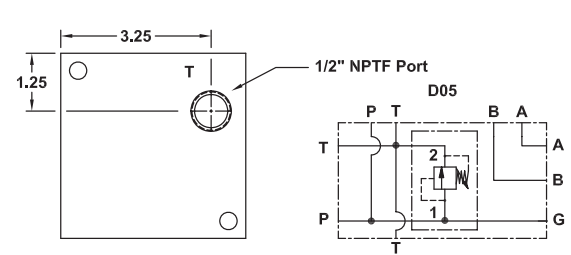
"ST" UNC Kit:
2 - 3/8"-16 x 2.75" SHCS
"ST" Metric Kit:
2 - M10-1.5 x 70 mm SHCS

(See Page 5.99.01 for Relief Cartridges)
RELIEF VALVE CAVITY

SPRP_05GSBSDUCA - BOTTOM VIEW



SPRP_05GSTSDUCA - BOTTOM VIEW



PART NUMBER SYSTEM

Aluminum D05 Side Ported Subplate with SAE 8 Ports & T-10A Relief Example: **SPRPA05GSPSDUCA**

TYPE	MATERIAL	VALVE PATTERN	PORTING STYLE	PORT CODE	MOUNTING THREADS & KIT	RELIEF CAVITY	
SPRP	Subplates with P to T Relief		SB Side Ported with Bottom P & T Ports SP Side Ported only ST Side Ported with 1/2" NPTF "T" Port on Bottom only	CODE	TYPE	P, T, A and B	G
	A Aluminum	D Ductile Iron					
	05G	ISO 4401-05-04 NFPA T3.5.1-D05					
					U UNC Std for SAE & NPT	D05 Valve Subplate	1/4"-20 UNC x .75 dp 3/8"-16 UNC SHCS
					M Metric Std for BSP* & Metric	D05 Valve Subplate	M6 x 1.00 x .75 dp M10 x 1.50 SHCS
						CA Sun T-10A	DA Common C10-2
				SD	SAE	8	6
				ND	NPTF	1/2"	1/4"
				BD	BSP	1/2"	1/4"
				TD	BSPT	1/2"	1/4"
				MD	METRIC	M18	M10

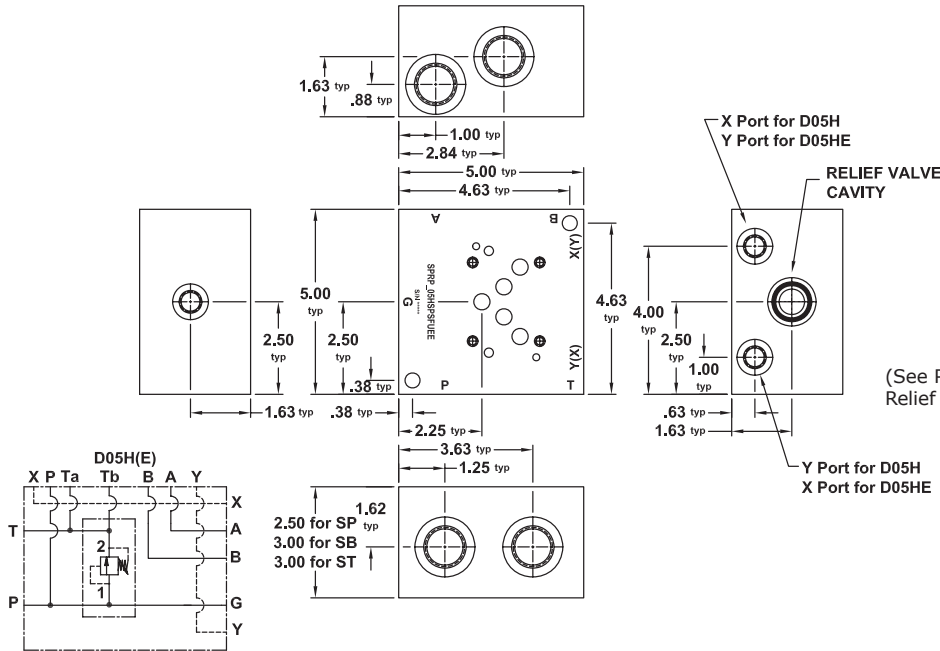
WE RESERVE THE RIGHT TO DISCONTINUE MODELS, OR CHANGE SPECIFICATIONS WITHOUT NOTICE OR INCURRING OBLIGATION

Lynch Products Can Be Modified to Suit Your Application

Phone: 1 (888) 626-4365 or +1 (905) 363-2400 Fax: 1 (800) 263-5807 www.lynch.ca sales@lynch.ca

D05H(E) High Flow Subplate w/Relief - Nominal 3/4"

SPRP_05_SPSFUEE



Mounting Kits Include the following:

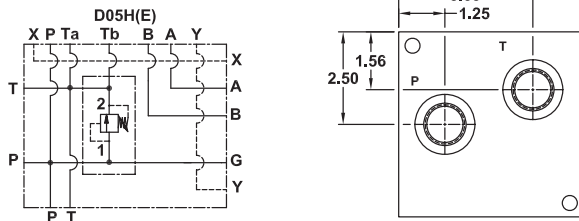
"SP" UNC Kit:
2 - 3/8"-16 x 3.00" SHCS
"SP" Metric Kit:
2 - M10-1.5 x 75 mm SHCS

"SB" UNC Kit:
2 - 3/8"-16 x 3.50" SHCS
2 - plugs
"SB" Metric Kit:
2 - M10-1.5 x 90 mm SHCS
2 - plugs

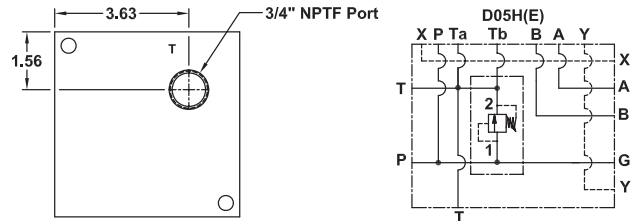
"ST" UNC Kit:
2 - 3/8"-16 x 3.50" SHCS
"ST" Metric Kit:
2 - M10-1.5 x 90 mm SHCS

(See Page 5.99.01 for Relief Cartridges)

SPRP_05_SBSFUEE - BOTTOM VIEW



SPRP_05_STSFUEE - BOTTOM VIEW



PART NUMBER SYSTEM

Aluminum D05H Side Ported Subplate with SAE 12 Ports & T-3A Relief Example: **SPRPA05HSPSFUEE**

TYPE	MATERIAL	VALVE PATTERN	PORTING STYLE	PORT CODE	MOUNTING THREADS & KIT	RELIEF CAVITY AND PILOT PORT OPTIONS
SPRP	Subplates with P to T Relief					
	A Aluminum					
	D Ductile Iron					
		SB Side Ported with Bottom P & T Ports				
		SP Side Ported only				
		ST Side Ported with 3/4" NPTF "T" Port on Bottom only				
		05H (USA Standard) NFPA T3.5.1-D05 Alt B				
		05E ISO 4401-05-05 (EURO) NFPA T3.5.1-D05 Alt A				
					U UNC Std for D05 Valve 1/4"-20 UNC x 0.75" dp SAE & NPT Subplate 3/8"-16 SHCS	
					M Metric Std for D05 Valve M6 x 1.00 x .75" dp BSP* & Metric Subplate M10 x 1.50 SHCS	
						DE Common C10-2
						EE Sun T-3A
						NOTE: As a Non-Standard Option, Subplates with no Pilot Ports can be ordered by using "05T" for Valve Pattern Code and replacing the "E" at the end of the Part Number with an "A". An Example Part Number would be: SPRPA05TSPSFUEA

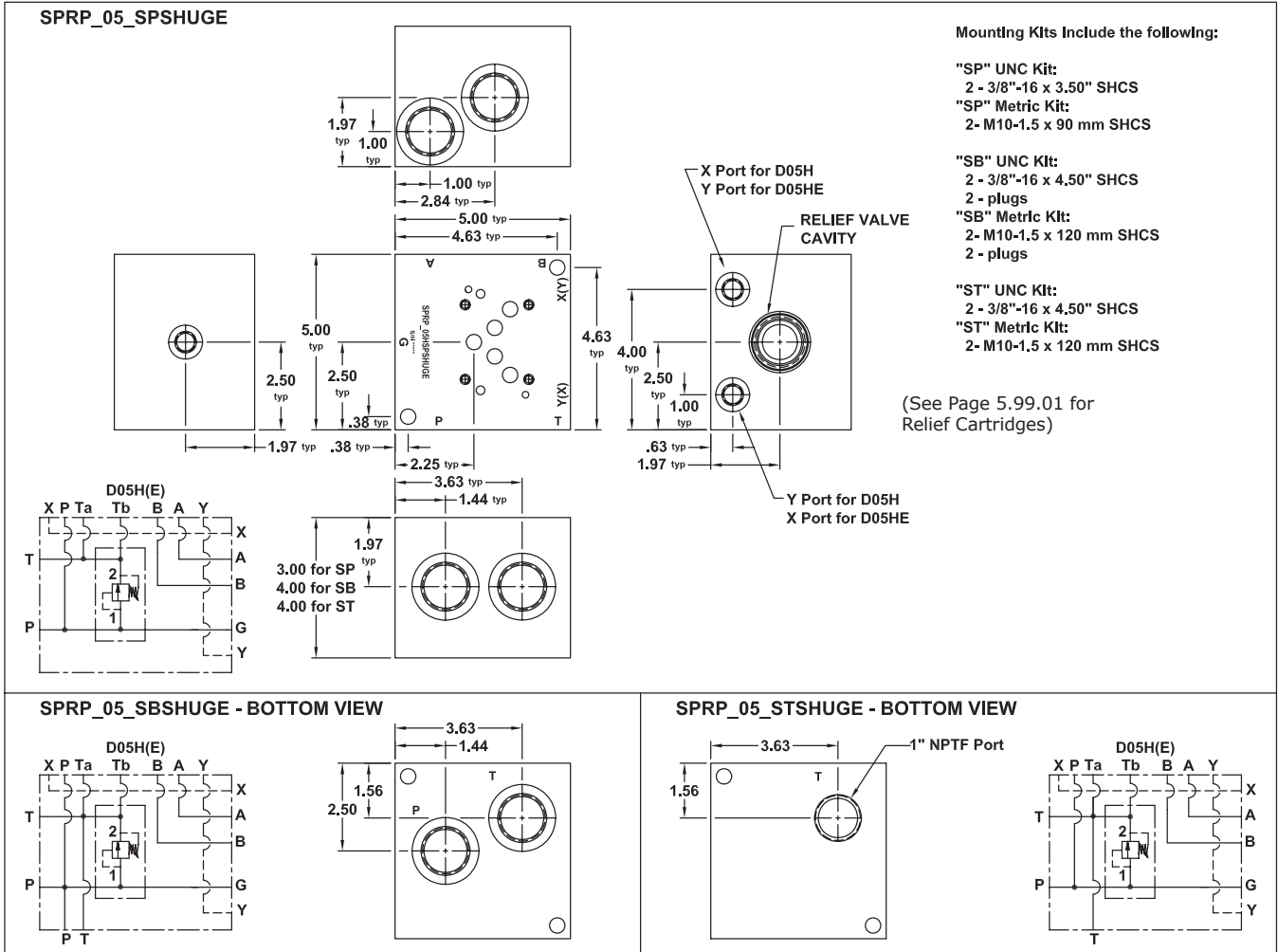
CODE	TYPE	P, T, A and B	X & Y	G
SF	SAE	12	6	6
NF	NPTF	3/4"	1/4"	1/4"
BF	BSPP	3/4"	1/4"	1/4"
TF	BSPT	3/4"	1/4"	1/4"
MF	METRIC	M27	M10	M10

WE RESERVE THE RIGHT TO DISCONTINUE MODELS, OR CHANGE SPECIFICATIONS WITHOUT NOTICE OR INCURRING OBLIGATION

Lynch Products Can Be Modified to Suit Your Application

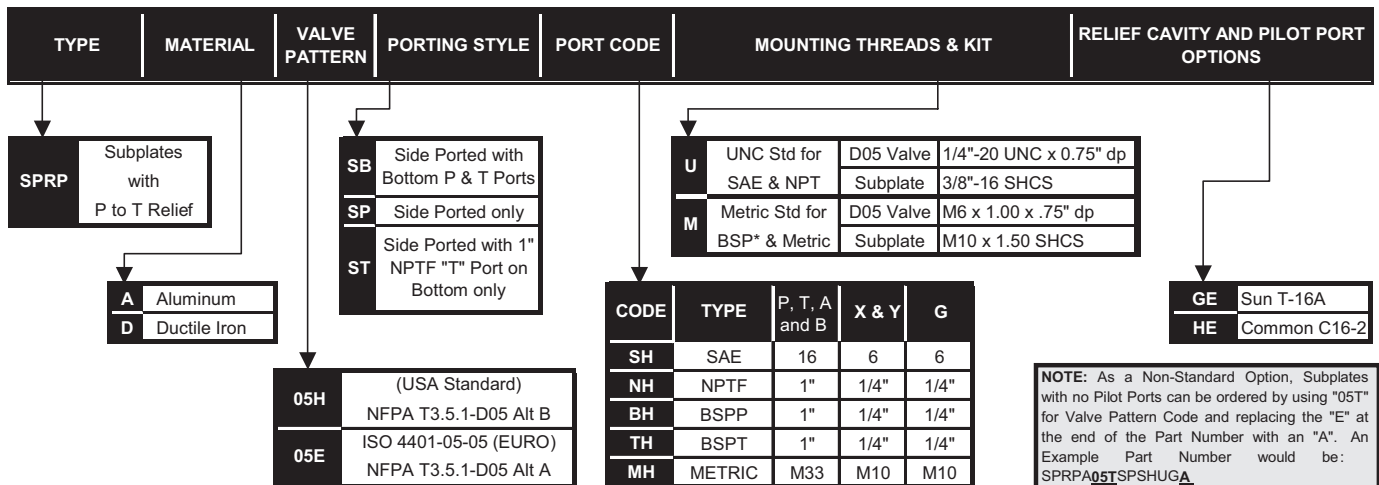
Phone: 1 (888) 626-4365 or +1 (905) 363-2400 Fax: 1 (800) 263-5807 www.lynch.ca sales@lynch.ca

D05H(E) High Flow Subplate w/Relief - Nominal 1"



PART NUMBER SYSTEM

Aluminum D05H Side Ported Subplate with SAE 16 Ports & T-16A Relief Example: **SPRPA05HSPSHUGE**

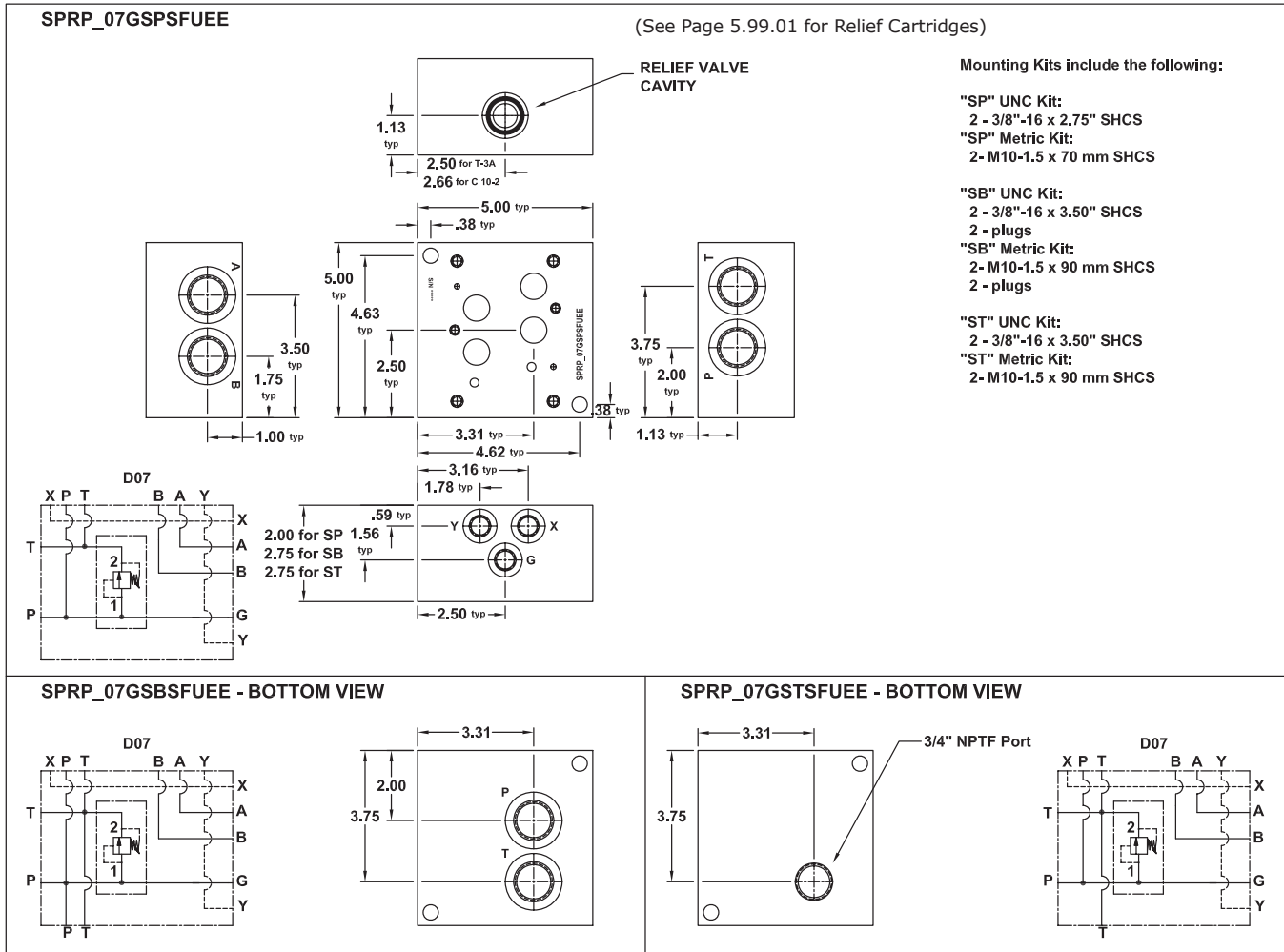


WE RESERVE THE RIGHT TO DISCONTINUE MODELS, OR CHANGE SPECIFICATIONS WITHOUT NOTICE OR INCURRING OBLIGATION

Lynch Products Can Be Modified to Suit Your Application

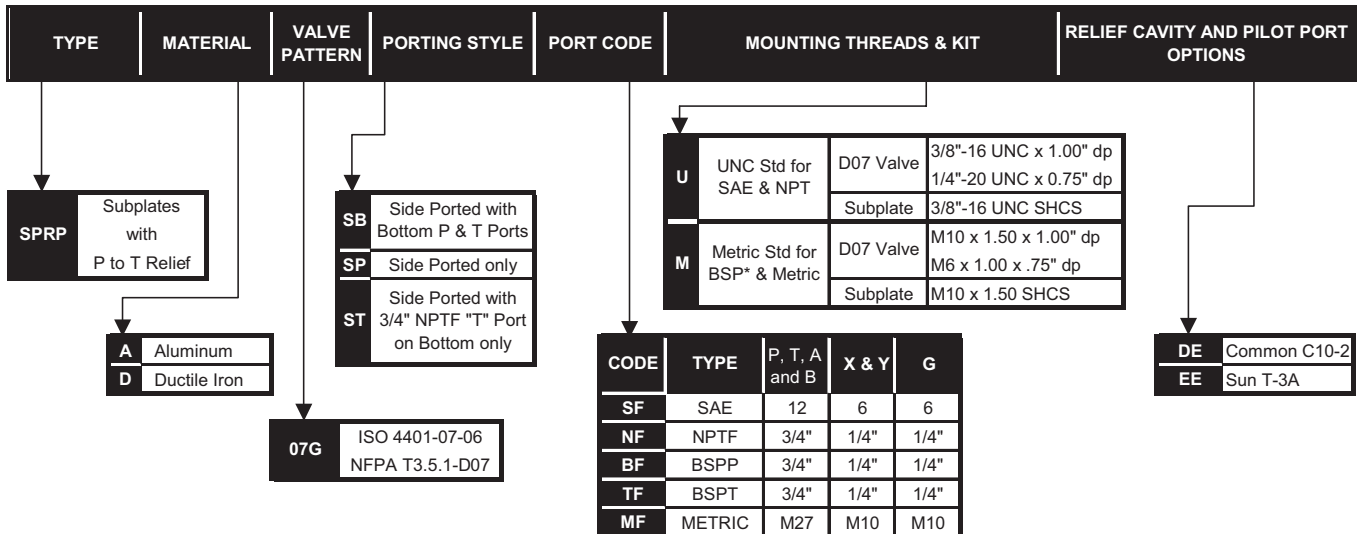
Phone: 1 (888) 626-4365 or +1 (905) 363-2400 Fax: 1 (800) 263-5807 www.lynch.ca sales@lynch.ca

D07 Subplate with Relief - Nominal 3/4"



PART NUMBER SYSTEM

Aluminum D07 Side Ported Subplate with SAE 12 Ports & T-3A Relief Example: **SPRPA07GSPSFUEE**

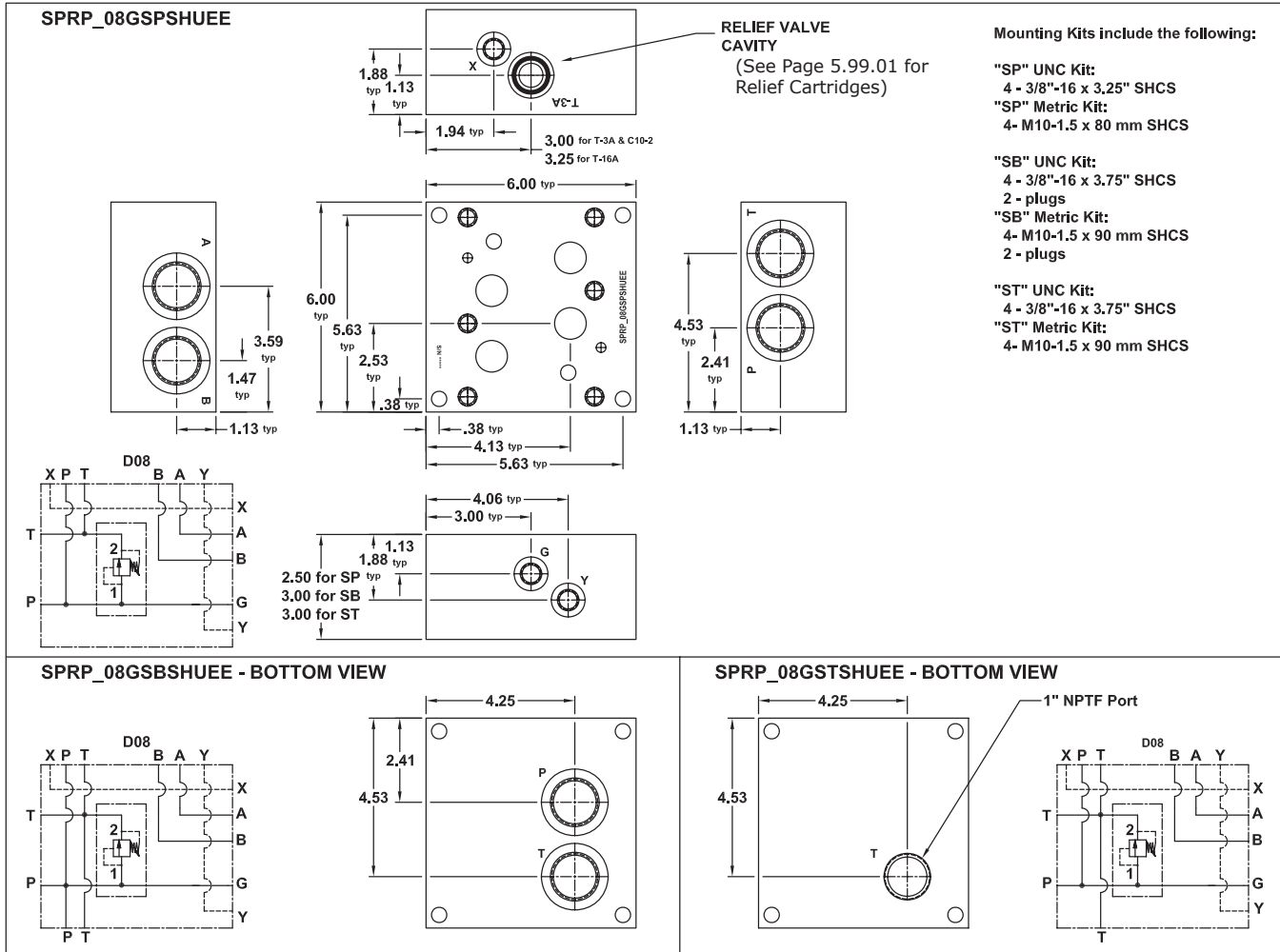


WE RESERVE THE RIGHT TO DISCONTINUE MODELS, OR CHANGE SPECIFICATIONS WITHOUT NOTICE OR INCURRING OBLIGATION

Lynch Products Can Be Modified to Suit Your Application

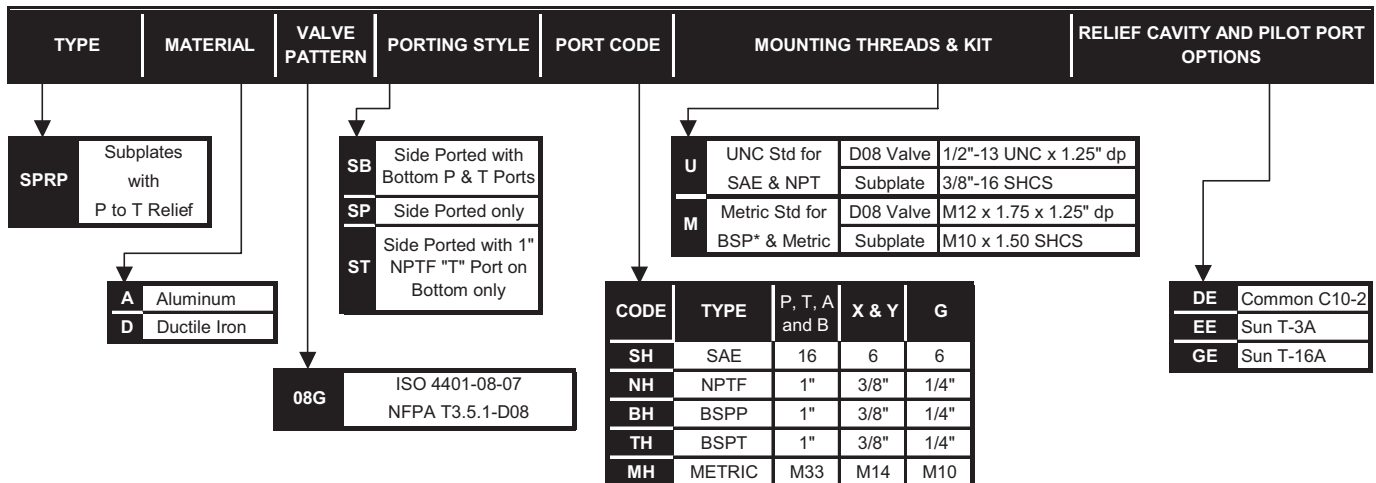
Phone: 1 (888) 626-4365 or +1 (905) 363-2400 Fax: 1 (800) 263-5807 www.lynch.ca sales@lynch.ca

D08 Subplate with Relief - Nominal 1"



PART NUMBER SYSTEM

Aluminum D08 Side Ported Subplate with SAE 16 Ports & T-3A Relief Example: **SPRPA08GSPSHUEE**

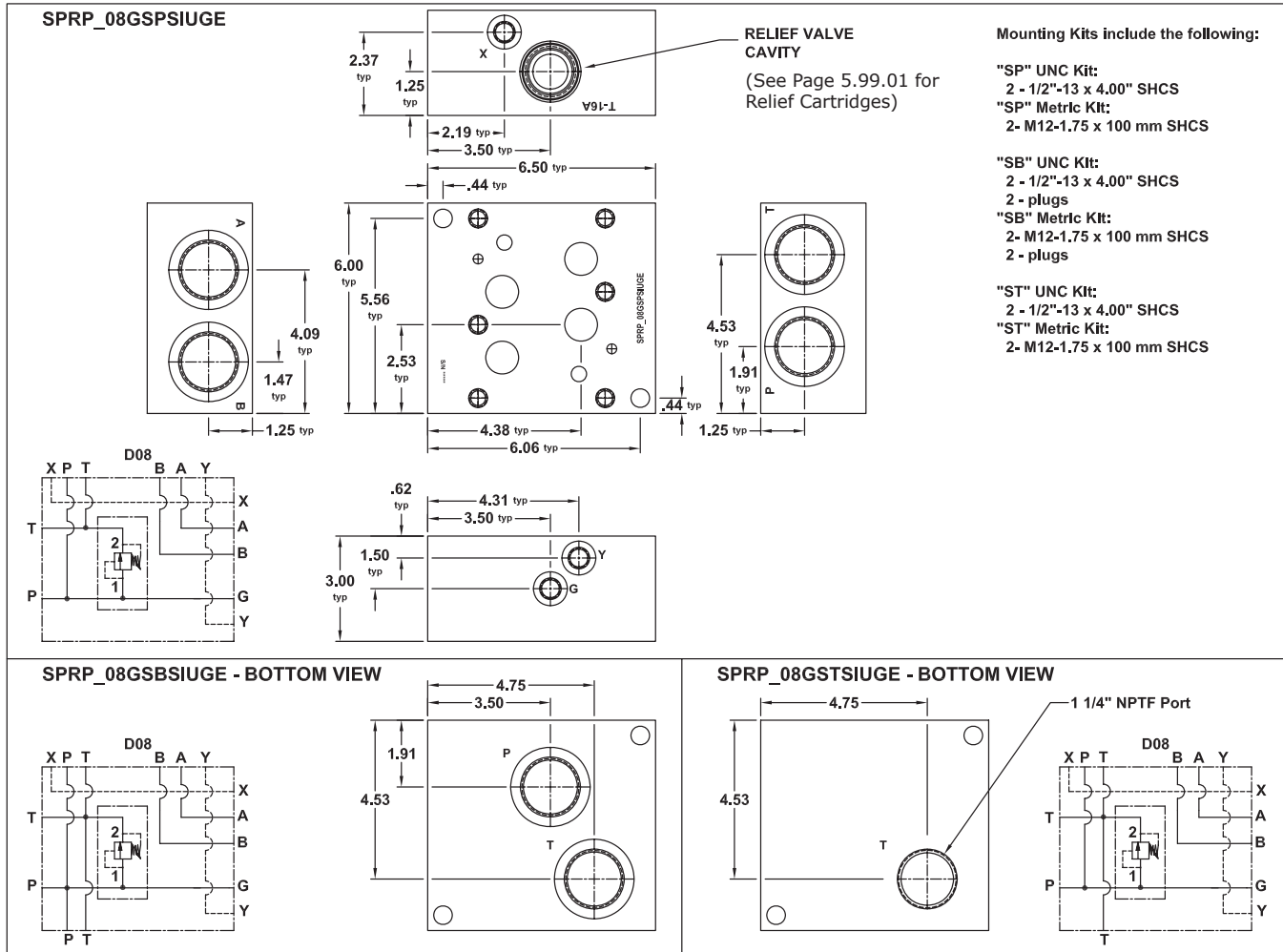


WE RESERVE THE RIGHT TO DISCONTINUE MODELS, OR CHANGE SPECIFICATIONS WITHOUT NOTICE OR INCURRING OBLIGATION

Lynch Products Can Be Modified to Suit Your Application

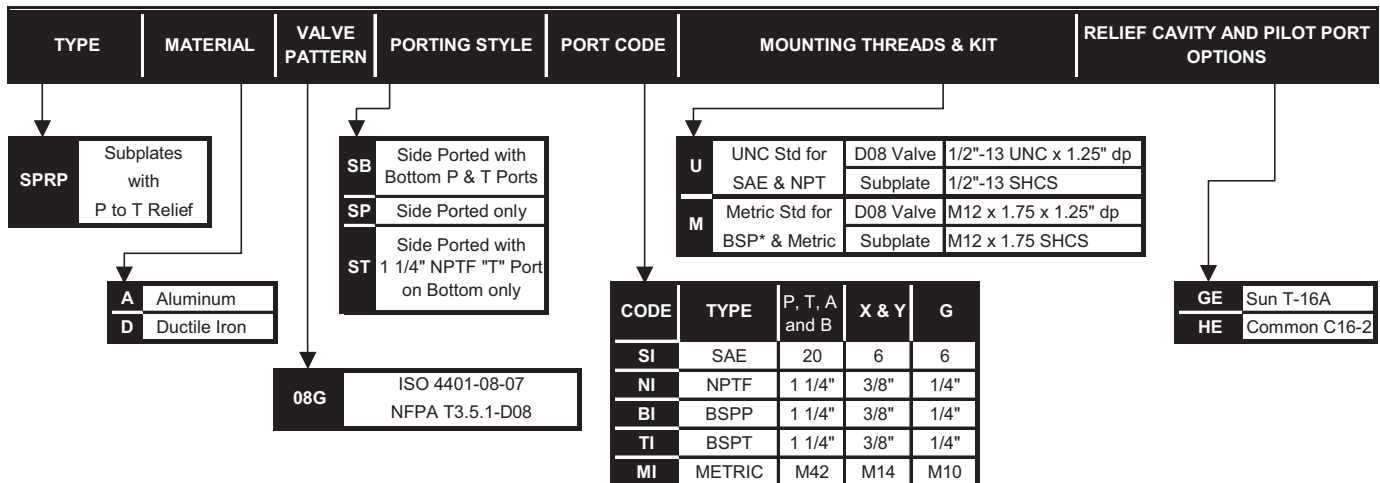
Phone: 1 (888) 626-4365 or +1 (905) 363-2400 Fax: 1 (800) 263-5807 www.lynch.ca sales@lynch.ca

D08 Subplate with Relief - Nominal 1-1/4"



PART NUMBER SYSTEM

Aluminum D08 Side Ported Subplate with SAE 20 Ports & T-16A Relief Example: **SPRPA08GSPSIUGE**



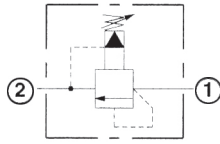
WE RESERVE THE RIGHT TO DISCONTINUE MODELS, OR CHANGE SPECIFICATIONS WITHOUT NOTICE OR INCURRING OBLIGATION

Lynch Products Can Be Modified to Suit Your Application

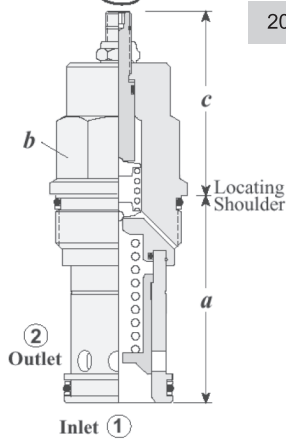
Phone: 1 (888) 626-4365 or +1 (905) 363-2400 Fax: 1 (800) 263-5807 www.lynch.ca sales@lynch.ca

Relief Valves

PILOT OPERATED RELIEF VALVES



Full Adjustment 5 Turns



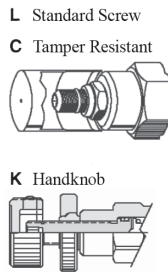
CAPACITY	MODEL CODE	CAVITY	CARTRIDGE DIMENSIONS					INSTALLATION TORQUE (lb/ft)
			a	b	L	C	K	
12 GPM	RPCC - LAN	T - 162A	1.22	3/4"	2.11	2.17	2.31	25/30
25 GPM	RPEC - LAN	T - 10A	1.56	7/8"	2.00	2.06	2.25	30/35
50 GPM	RPGC - LAN	T - 3A	1.88	1 1/8"	2.12	2.18	2.38	45/50
100 GPM	RPIC - LAN	T - 16A	2.44	1 1/4"	2.44	2.47	2.69	150/160
200 GPM	RPKC - LAN	T - 18A	3.13	1 5/8"	2.81	2.94	3.06	350/375

RP * C - * * *

Nominal Capacity

C 12 GPM*
E 25 GPM
G 50 GPM
I 100 GPM
K 200 GPM

Control**



Adjustment Range

A 100 - 3000 psi
B 50 - 1500 psi
C 150 - 6000 psi
N 60 - 800 psi
Q 60 - 400 psi
W 150 - 4500 psi

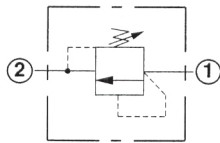
Seal

N Buna - N
V Viton

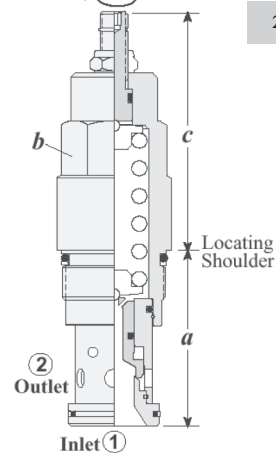
Adjustment Range Options:

A, B, C, and W are standard set at 1000 psi
N Option is standard set at 400 psi
Q Option is standard set at 200 psi
* Minimum setting 75 psi on all ranges
Customer may specify pressure setting.

DIRECT ACTING RELIEF VALVES



Full Adjustment 5 Turns



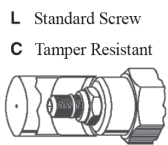
CAPACITY	MODEL CODE	CAVITY	CARTRIDGE DIMENSIONS				INSTALLATION TORQUE (lb/ft)
			a	b	L	C	
12 GPM	RDBA - LAN	T - 162A	1.22	3/4"	2.11	2.17	25/30
25 GPM	RDDA - LAN	T - 10A	1.56	7/8"	2.38	2.44	30/35
50 GPM	RDEA - LAN	T - 3A	1.88	1 1/8"	2.50	2.56	45/50
100 GPM	RDHA - LAN	T - 16A	2.44	1 1/4"	3.25	3.31	150/160
200GPM	RDJA - LAN	T - 18A	3.13	1 5/8"	3.94	4.07	350/375

RD * A - * * *

Nominal Capacity

B 12 GPM
D 25 GPM
F 50 GPM
H 100 GPM
J 200 GPM

Control**



Adjustment Range

A 500 - 3000 psi
B 300 - 1500 psi
C 1000 - 6000 psi
D 200 - 800 psi
E 100 - 400 psi
S 50 - 200 psi
W 1000 - 4500 psi

Seal

N Buna - N
V Viton

Adjustment Range Options:

A, B, C, and W are standard set at 1000 psi
D Option is standard set at 400 psi
E Option is standard set at 200 psi
S Option is standard set at 100 psi
Customer may specify pressure setting.

U.S. Patent #4,742,846
European Patent Pending

Note: Sun's stainless steel passivated product line is growing.

If you are interested in a stainless option for a model which is not shown please contact Lynch Fluid Controls Inc.

WE RESERVE THE RIGHT TO DISCONTINUE MODELS, OR CHANGE SPECIFICATIONS WITHOUT NOTICE OR INCURRING OBLIGATION

Lynch Products Can Be Modified to Suit Your Application

Phone: 1 (888) 626-4365 or +1 (905) 363-2400 Fax: 1 (800) 263-5807 www.lynch.ca sales@lynch.ca

Product Tips and Features

Cover Plates

Cover Plates are used in place of directional valves to either completely block off a bar manifold station, or to provide a means of flushing a manifold as determined by the internal port connections chosen. They are available in parallel and series models.

1. Standard materials are Aluminum and Ductile Iron. Other materials including Mild Steel or Stainless Steel are optionally available.
2. Special Finishes including Black Oxide, Electroless Nickel Plating or Anodizing are optionally available.
3. UNC or Metric mounting bolt kits and any plugs that may be required are supplied as standard.
4. Viton O-rings and locating pins are supplied as standard.
5. Optional Gauge Port available on Pressure Port. NOTE: on some designs the thickness of the cover plate must be increased in order to accommodate the gauge port.
6. Internal passages maximized to match the interface port connection in order to minimize pressure drops and fluid velocities.
7. Special D05D valve pattern matches both D05H and D05HE
8. Cover plates with all external ports for relocating valves are available. Contact Factory for Part Numbers.
9. Special combinations of ports including X & Y ports are non-standard. Contact Factory for Part Numbers.
10. Servo Cover Plates are available. Contact Factory for Part Numbers.

WE RESERVE THE RIGHT TO DISCONTINUE MODELS, OR CHANGE SPECIFICATIONS WITHOUT NOTICE OR INCURRING OBLIGATION

Lynch Products Can Be Modified to Suit Your Application

Phone: 1 (888) 626-4365 or + 1 (905) 363-2400 Fax: 1 (800) 263-5807 www.lynch.ca sales@lynch.ca

Index

Cover Plates

D02 Cover Plates	6.01.01
D03 Cover Plates	6.02.01
D05 Cover Plates	6.03.01
D05H & D05HE Cover Plates	6.03.02
D07 Cover Plates	6.04.01
D08 Cover Plates	6.05.01
D10 Cover Plates	6.06.01

WE RESERVE THE RIGHT TO DISCONTINUE MODELS, OR CHANGE SPECIFICATIONS WITHOUT NOTICE OR INCURRING OBLIGATION

Lynch Products Can Be Modified to Suit Your Application

Phone: 1 (888) 626-4365 or + 1 (905) 363-2400 Fax: 1 (800) 263-5807 www.lynch.ca sales@lynch.ca

D02 Cover Plates

<p>Circuit - "XXXX"</p> <p>Optional gauge port</p> <p>UNC mounting kit includes: 4 - 10-24 x 1.50" SHCS 4 - 010 O-ring viton 1 - pin 1 - Plug (with gauge option)</p> <p>Metric mounting kit includes: 4 - M5 x 0.8 x 35mm SHCS 4 - 010 O-ring viton 1 - pin 1 - Plug (with gauge option)</p> <p>CP_02GXXXXAAX_ S/N</p>	<p>Circuit - "PABT"</p> <p>Optional gauge port</p> <p>UNC mounting kit includes: 4 - 10-24 x 1.50" (1.75") SHCS 4 - 010 O-ring viton 1 - pin 1 - Plug (with gauge option)</p> <p>Metric mounting kit includes: 4 - M5 x 0.8 x 35mm (45mm) SHCS 4 - 010 O-ring viton 1 - pin 1 - Plug (with gauge option)</p> <p>CP_02GPABTAAX_ S/N</p>
<p>Circuit - "PBAT"</p> <p>Optional gauge port</p> <p>UNC mounting kit includes: 4 - 10-24 x 1.50" (1.75") SHCS 4 - 010 O-ring viton 1 - pin 1 - Plug (with gauge option)</p> <p>Metric mounting kit includes: 4 - M5 x 0.8 x 35mm (45mm) SHCS 4 - 010 O-ring viton 1 - pin 1 - Plug (with gauge option)</p> <p>CP_02GPBATAAX_ S/N</p>	<p>Circuit - "PTXX"</p> <p>Optional gauge port</p> <p>UNC mounting kit includes: 4 - 10-24 x 1.50" (1.75") SHCS 4 - 010 O-ring viton 1 - pin 1 - Plug (with gauge option)</p> <p>Metric mounting kit includes: 4 - M5 x 0.8 x 35mm (45mm) SHCS 4 - 010 O-ring viton 1 - pin 1 - Plug (with gauge option)</p> <p>CP_02GPTXXAAX_ S/N</p>

PART NUMBER SYSTEM

D02 Aluminum Cover Plate with All Ports Blocked & No Gauge Port Example : CPA02GXXXXAAXU

TYPE	MATERIAL	VALVE PATTERN	CIRCUIT CODE	GAUGE PORT CODE	LOCATION OF GAUGE PORTS	MOUNTING																																									
CP Cover Plate	A Aluminum D Ductile Iron	02G ISO 4401-02-01 NFPA T3.5.1 - D02	<table border="1"> <thead> <tr> <th>CODE</th> <th>CIRCUIT</th> </tr> </thead> <tbody> <tr> <td>XXXX</td> <td>All Ports Blocked</td> </tr> <tr> <td>PABT</td> <td>P Connected to A, B Connected to T</td> </tr> <tr> <td>PBAT</td> <td>P Connected to B, A Connected to T</td> </tr> <tr> <td>PTXX</td> <td>P Connected to T</td> </tr> </tbody> </table>	CODE	CIRCUIT	XXXX	All Ports Blocked	PABT	P Connected to A, B Connected to T	PBAT	P Connected to B, A Connected to T	PTXX	P Connected to T	<table border="1"> <thead> <tr> <th>CODE</th> <th>TYPE</th> <th>SIZE</th> </tr> </thead> <tbody> <tr> <td>AA</td> <td>None</td> <td>None</td> </tr> <tr> <td>SB</td> <td>SAE</td> <td>4</td> </tr> <tr> <td>NA</td> <td>NPTF</td> <td>1/8"</td> </tr> <tr> <td>BA</td> <td>BSPP</td> <td>1/8"</td> </tr> <tr> <td>TA</td> <td>BSPT</td> <td>1/8"</td> </tr> <tr> <td>MB</td> <td>Metric</td> <td>M10</td> </tr> </tbody> </table>	CODE	TYPE	SIZE	AA	None	None	SB	SAE	4	NA	NPTF	1/8"	BA	BSPP	1/8"	TA	BSPT	1/8"	MB	Metric	M10	<table border="1"> <thead> <tr> <th>X</th> <th>None</th> </tr> </thead> <tbody> <tr> <td>P</td> <td>P Port</td> </tr> </tbody> </table>	X	None	P	P Port	<table border="1"> <thead> <tr> <th>U</th> <th>M</th> </tr> </thead> <tbody> <tr> <td>U</td> <td>UNC Std for SAE & NPT</td> </tr> <tr> <td>M</td> <td>Metric Std for BSP* & Metric</td> </tr> </tbody> </table>	U	M	U	UNC Std for SAE & NPT	M	Metric Std for BSP* & Metric
CODE	CIRCUIT																																														
XXXX	All Ports Blocked																																														
PABT	P Connected to A, B Connected to T																																														
PBAT	P Connected to B, A Connected to T																																														
PTXX	P Connected to T																																														
CODE	TYPE	SIZE																																													
AA	None	None																																													
SB	SAE	4																																													
NA	NPTF	1/8"																																													
BA	BSPP	1/8"																																													
TA	BSPT	1/8"																																													
MB	Metric	M10																																													
X	None																																														
P	P Port																																														
U	M																																														
U	UNC Std for SAE & NPT																																														
M	Metric Std for BSP* & Metric																																														

WE RESERVE THE RIGHT TO DISCONTINUE MODELS, OR CHANGE SPECIFICATIONS WITHOUT NOTICE OR INCURRING OBLIGATION

Lynch Products Can Be Modified to Suit Your Application

Phone: 1 (888) 626-4365 or +1 (905) 363-2400 Fax: 1 (800) 263-5807 www.lynch.ca sales@lynch.ca

D03 Cover Plates

<p>Circuit - "XXXX"</p> <p>Optional gauge port</p> <p>UNC mounting kit includes: 4 - 10-24 x 1.50" SHCS 4 - 012 O-ring viton 1 - pin 1 - Plug (with gauge option)</p> <p>Metric mounting kit includes: 4 - M5 x 0.8 x 35mm SHCS 4 - 012 O-ring viton 1 - pin 1 - Plug (with gauge option)</p> <p>CP_03GXXXXAAX_ S/N</p>	<p>Circuit - "PABT"</p> <p>Optional gauge port</p> <p>UNC mounting kit includes: 4 - 10-24 x 1.50" (1.75") SHCS 4 - 012 O-ring viton 1 - pin 1 - Plug (with gauge option)</p> <p>Metric mounting kit includes: 4 - M5 x 0.8 x 35mm (45 mm) SHCS 4 - 012 O-ring viton 1 - pin 1 - Plug (with gauge option)</p> <p>CP_03GPABTAAX_ S/N</p>
<p>Circuit - "PBAT"</p> <p>Optional gauge port</p> <p>UNC mounting kit includes: 4 - 10-24 x 1.50" (1.75") SHCS 4 - 012 O-ring viton 1 - pin 1 - Plug (with gauge option)</p> <p>Metric mounting kit includes: 4 - M5 x 0.8 x 35mm (45 mm) SHCS 4 - 012 O-ring viton 1 - pin 1 - Plug (with gauge option)</p> <p>CP_03GPBATAAX_ S/N</p>	<p>Circuit - "PTXX"</p> <p>Optional gauge port</p> <p>UNC mounting kit includes: 4 - 10-24 x 1.50" (1.75") SHCS 4 - 012 O-ring viton 1 - pin 1 - Plug (with gauge option)</p> <p>Metric mounting kit includes: 4 - M5 x 0.8 x 35mm (45 mm) SHCS 4 - 012 O-ring viton 1 - pin 1 - Plug (with gauge option)</p> <p>CP_03GPTXXAAX_ S/N</p>

PART NUMBER SYSTEM

D03 Aluminum Cover Plate with All Ports Blocked & No Gauge Port Example : CPA03GXXXXAAXU

TYPE	MATERIAL	VALVE PATTERN	CIRCUIT CODE	GAUGE PORT CODE	LOCATION OF GAUGE PORTS	MOUNTING																																									
CP Cover Plate	A Aluminum D Ductile Iron	03G ISO 4401-03-02 NFPA T3.5.1 - D03	<table border="1"> <thead> <tr> <th>CODE</th> <th>CIRCUIT</th> </tr> </thead> <tbody> <tr> <td>XXXX</td> <td>All Ports Blocked</td> </tr> <tr> <td>PABT</td> <td>P Connected to A, B Connected to T</td> </tr> <tr> <td>PBAT</td> <td>P Connected to B, A Connected to T</td> </tr> <tr> <td>PTXX</td> <td>P Connected to T</td> </tr> </tbody> </table>	CODE	CIRCUIT	XXXX	All Ports Blocked	PABT	P Connected to A, B Connected to T	PBAT	P Connected to B, A Connected to T	PTXX	P Connected to T	<table border="1"> <thead> <tr> <th>CODE</th> <th>TYPE</th> <th>SIZE</th> </tr> </thead> <tbody> <tr> <td>AA</td> <td>None</td> <td>None</td> </tr> <tr> <td>SC</td> <td>SAE</td> <td>6</td> </tr> <tr> <td>NB</td> <td>NPTF</td> <td>1/4"</td> </tr> <tr> <td>BB</td> <td>BSPP</td> <td>1/4"</td> </tr> <tr> <td>TB</td> <td>BSPT</td> <td>1/4"</td> </tr> <tr> <td>MB</td> <td>Metric</td> <td>M10</td> </tr> </tbody> </table>	CODE	TYPE	SIZE	AA	None	None	SC	SAE	6	NB	NPTF	1/4"	BB	BSPP	1/4"	TB	BSPT	1/4"	MB	Metric	M10	<table border="1"> <thead> <tr> <th>X</th> <th>None</th> </tr> </thead> <tbody> <tr> <td>P</td> <td>P Port</td> </tr> </tbody> </table>	X	None	P	P Port	<table border="1"> <thead> <tr> <th>U</th> <th>M</th> </tr> </thead> <tbody> <tr> <td>U</td> <td>UNC Std for SAE & NPT</td> </tr> <tr> <td>M</td> <td>Metric Std for BSP* & Metric</td> </tr> </tbody> </table>	U	M	U	UNC Std for SAE & NPT	M	Metric Std for BSP* & Metric
CODE	CIRCUIT																																														
XXXX	All Ports Blocked																																														
PABT	P Connected to A, B Connected to T																																														
PBAT	P Connected to B, A Connected to T																																														
PTXX	P Connected to T																																														
CODE	TYPE	SIZE																																													
AA	None	None																																													
SC	SAE	6																																													
NB	NPTF	1/4"																																													
BB	BSPP	1/4"																																													
TB	BSPT	1/4"																																													
MB	Metric	M10																																													
X	None																																														
P	P Port																																														
U	M																																														
U	UNC Std for SAE & NPT																																														
M	Metric Std for BSP* & Metric																																														

WE RESERVE THE RIGHT TO DISCONTINUE MODELS, OR CHANGE SPECIFICATIONS WITHOUT NOTICE OR INCURRING OBLIGATION

Lynch Products Can Be Modified to Suit Your Application

Phone: 1 (888) 626-4365 or +1 (905) 363-2400 Fax: 1 (800) 263-5807 www.lynch.ca sales@lynch.ca

D05 Cover Plates

<p>Circuit - "XXXX"</p> <p>Optional gauge port</p> <p>UNC mounting kit Includes: 4 - 1/4"-20 x 1.50" SHCS 5 - 014 O-ring viton 1 - Plug (with gauge option)</p> <p>Metric mounting kit includes: 4 - M6-1.0 x 35mm SHCS 5 - 014 O-ring viton 1 - Plug (with option)</p>	<p>Circuit - "PABT"</p> <p>Optional gauge port</p> <p>UNC mounting kit Includes: 4 - 1/4"-20 x 1.75" SHCS 1 - 014 O-ring viton 2 - 022 O-ring viton 1 - Plug (with gauge option)</p> <p>Metric mounting kit includes: 4 - M6-1.0 x 45mm SHCS 1 - 014 O-ring viton 2 - 022 O-ring viton 1 - Plug (with gauge option)</p>
<p>Circuit - "PBAT"</p> <p>Optional gauge port</p> <p>UNC mounting kit Includes: 4 - 1/4"-20 x 1.75" SHCS 1 - 014 O-ring viton 2 - 022 O-ring viton 1 - Plug (with gauge option)</p> <p>Metric mounting kit Includes: 4 - M6-1.0 x 45mm SHCS 1 - 014 O-ring viton 2 - 022 O-ring viton 1 - Plug (with gauge option)</p>	<p>Circuit - "PTXX"</p> <p>Optional gauge port</p> <p>UNC mounting kit Includes: 4 - 1/4"-20 x 1.50" (1.75") SHCS 5 - 014 O-ring viton 1 - Plug (with gauge option)</p> <p>Metric mounting kit Includes: 4 - M6-1.0 x 35mm (45mm) SHCS 5 - 014 O-ring viton 1 - Plug (with gauge option)</p>

PART NUMBER SYSTEM

D05 Aluminum Cover Plate with All Ports Blocked & No Gauge Port Example : CPA05GXXXXAAXU

TYPE	MATERIAL	VALVE PATTERN	CIRCUIT CODE	GAUGE PORT CODE	LOCATION OF GAUGE PORTS	MOUNTING																																											
CP Cover Plate	A Aluminum D Ductile Iron	05G ISO 4401-05-04 NFPA T3.5.1 - D05	<table border="1"> <thead> <tr> <th>CODE</th> <th>CIRCUIT</th> </tr> </thead> <tbody> <tr> <td>XXXX</td> <td>All Ports Blocked</td> </tr> <tr> <td>PABT</td> <td>P Connected to A, B Connected to T</td> </tr> <tr> <td>PBAT</td> <td>P Connected to B, A Connected to T</td> </tr> <tr> <td>PTXX</td> <td>P Connected to T</td> </tr> </tbody> </table>	CODE	CIRCUIT	XXXX	All Ports Blocked	PABT	P Connected to A, B Connected to T	PBAT	P Connected to B, A Connected to T	PTXX	P Connected to T	<table border="1"> <thead> <tr> <th>CODE</th> <th>TYPE</th> <th>SIZE</th> </tr> </thead> <tbody> <tr> <td>AA</td> <td>None</td> <td>None</td> </tr> <tr> <td>SC</td> <td>SAE</td> <td>6</td> </tr> <tr> <td>NB</td> <td>NPTF</td> <td>1/4"</td> </tr> <tr> <td>BB</td> <td>BSPP</td> <td>1/4"</td> </tr> <tr> <td>TB</td> <td>BSPT</td> <td>1/4"</td> </tr> <tr> <td>MB</td> <td>Metric</td> <td>M10</td> </tr> </tbody> </table>	CODE	TYPE	SIZE	AA	None	None	SC	SAE	6	NB	NPTF	1/4"	BB	BSPP	1/4"	TB	BSPT	1/4"	MB	Metric	M10	<table border="1"> <thead> <tr> <th>Code</th> <th>Description</th> </tr> </thead> <tbody> <tr> <td>X</td> <td>None</td> </tr> <tr> <td>P</td> <td>P Port</td> </tr> </tbody> </table>	Code	Description	X	None	P	P Port	<table border="1"> <thead> <tr> <th>Code</th> <th>Description</th> </tr> </thead> <tbody> <tr> <td>U</td> <td>UNC Std for SAE & NPT</td> </tr> <tr> <td>M</td> <td>Metric Std for BSP* & Metric</td> </tr> </tbody> </table>	Code	Description	U	UNC Std for SAE & NPT	M	Metric Std for BSP* & Metric
CODE	CIRCUIT																																																
XXXX	All Ports Blocked																																																
PABT	P Connected to A, B Connected to T																																																
PBAT	P Connected to B, A Connected to T																																																
PTXX	P Connected to T																																																
CODE	TYPE	SIZE																																															
AA	None	None																																															
SC	SAE	6																																															
NB	NPTF	1/4"																																															
BB	BSPP	1/4"																																															
TB	BSPT	1/4"																																															
MB	Metric	M10																																															
Code	Description																																																
X	None																																																
P	P Port																																																
Code	Description																																																
U	UNC Std for SAE & NPT																																																
M	Metric Std for BSP* & Metric																																																

WE RESERVE THE RIGHT TO DISCONTINUE MODELS, OR CHANGE SPECIFICATIONS WITHOUT NOTICE OR INCURRING OBLIGATION

Lynch Products Can Be Modified to Suit Your Application

Phone: 1 (888) 626-4365 or +1 (905) 363-2400 Fax: 1 (800) 263-5807 www.lynch.ca sales@lynch.ca

D05H & D05HE Cover Plates

<p>Circuit -"XXXX"</p> <p>Optional gauge port</p> <p>UNC mounting kit Includes: 4 - 1/4"-20x1.50" SHCS 5 - 014 O-ring viton 1 - 010 O-ring viton 1 - 012 O-ring viton 1 - 016 O-ring viton 1 - Plug (with gauge option)</p> <p>Metric mounting kit Includes: 4 - M6-1.0 x 35mm SHCS 5 - 014 O-ring viton 1 - 010 O-ring viton 1 - 012 O-ring viton 1 - 016 O-ring viton 1 - Plug (with gauge option)</p>	<p>Circuit -"PABT"</p> <p>Optional gauge port</p> <p>UNC mounting kit Includes: 4 - 1/4"-20 x 1.75" SHCS 1 - 014 O-ring viton 1 - 010 O-ring viton 1 - 012 O-ring viton 1 - 016 O-ring viton 2 - 022 O-ring viton 1 - Plug (with option)</p> <p>Metric mounting kit Includes: 4 - M6-1.0 x 45mm SHCS 1 - 014 O-ring viton 1 - 010 O-ring viton 1 - 012 O-ring viton 1 - 016 O-ring viton 2 - 022 O-ring viton 1 - Plug (with option)</p>
<p>Circuit -"PBAT"</p> <p>Optional gauge port</p> <p>UNC mounting kit includes: 4 - 1/4"-20 x 1.75" SHCS 1 - 014 O-ring viton 1 - 010 O-ring viton 1 - 012 O-ring viton 1 - 016 O-ring viton 2 - 022 O-ring viton 1 - Plug (with gauge option)</p> <p>Metric mounting kit includes: 4 - M6-1.0 x 45mm SHCS 1 - 014 O-ring viton 1 - 010 O-ring viton 1 - 012 O-ring viton 1 - 016 O-ring viton 2 - 022 O-ring viton 1 - Plug (with gauge option)</p>	<p>Circuit -"PTXX"</p> <p>Optional gauge port</p> <p>UNC mounting kit includes: 4 - 1/4"-20x1.50" (1.75") SHCS 5 - 014 O-ring viton 1 - 010 O-ring viton 1 - 012 O-ring viton 1 - 016 O-ring viton 1 - Plug (with gauge option)</p> <p>Metric mounting kit includes: 4 - M6-1.0 x 35mm (45mm) SHCS 5 - 014 O-ring viton 1 - 010 O-ring viton 1 - 012 O-ring viton 1 - 016 O-ring viton 1 - Plug (with gauge option)</p>

PART NUMBER SYSTEM

D05H(E) Aluminum Cover Plate with All Ports Blocked & No Gauge Port Example : CPA05DXXXXAAXU

TYPE	MATERIAL	VALVE PATTERN	CIRCUIT CODE	GAUGE PORT CODE	LOCATION OF GAUGE PORTS	MOUNTING																																							
CP Cover Plate	A Aluminum D Ductile Iron	05D Matches Both ISO 4401-05-05 (EURO) NFPA T3.5.1-D05 Alt A and (USA Standard) NFPA T3.5.1-D05 Alt B	<table border="1"> <thead> <tr><th>CODE</th><th>CIRCUIT</th></tr> </thead> <tbody> <tr><td>XXXX</td><td>All Ports Blocked</td></tr> <tr><td>PABT</td><td>P Connected to A, B Connected to T</td></tr> <tr><td>PBAT</td><td>P Connected to B, A Connected to T</td></tr> <tr><td>PTXX</td><td>P Connected to T</td></tr> </tbody> </table>	CODE	CIRCUIT	XXXX	All Ports Blocked	PABT	P Connected to A, B Connected to T	PBAT	P Connected to B, A Connected to T	PTXX	P Connected to T	<table border="1"> <thead> <tr><th>CODE</th><th>TYPE</th><th>SIZE</th></tr> </thead> <tbody> <tr><td>AA</td><td>None</td><td>None</td></tr> <tr><td>SC</td><td>SAE</td><td>6</td></tr> <tr><td>NB</td><td>NPTF</td><td>1/4"</td></tr> <tr><td>BB</td><td>BSPP</td><td>1/4"</td></tr> <tr><td>TB</td><td>BSPT</td><td>1/4"</td></tr> <tr><td>MB</td><td>Metric</td><td>M10</td></tr> </tbody> </table>	CODE	TYPE	SIZE	AA	None	None	SC	SAE	6	NB	NPTF	1/4"	BB	BSPP	1/4"	TB	BSPT	1/4"	MB	Metric	M10	<table border="1"> <tbody> <tr><td>X</td><td>None</td></tr> <tr><td>P</td><td>P Port</td></tr> </tbody> </table>	X	None	P	P Port	<table border="1"> <tbody> <tr><td>U</td><td>UNC Std for SAE & NPT</td></tr> <tr><td>M</td><td>Metric Std for BSP* & Metric</td></tr> </tbody> </table>	U	UNC Std for SAE & NPT	M	Metric Std for BSP* & Metric
CODE	CIRCUIT																																												
XXXX	All Ports Blocked																																												
PABT	P Connected to A, B Connected to T																																												
PBAT	P Connected to B, A Connected to T																																												
PTXX	P Connected to T																																												
CODE	TYPE	SIZE																																											
AA	None	None																																											
SC	SAE	6																																											
NB	NPTF	1/4"																																											
BB	BSPP	1/4"																																											
TB	BSPT	1/4"																																											
MB	Metric	M10																																											
X	None																																												
P	P Port																																												
U	UNC Std for SAE & NPT																																												
M	Metric Std for BSP* & Metric																																												

WE RESERVE THE RIGHT TO DISCONTINUE MODELS, OR CHANGE SPECIFICATIONS WITHOUT NOTICE OR INCURRING OBLIGATION

Lynch Products Can Be Modified to Suit Your Application

Phone: 1 (888) 626-4365 or +1 (905) 363-2400 Fax: 1 (800) 263-5807 www.lynch.ca sales@lynch.ca

D07 Cover Plates

<p>Circuit -"XXXX"</p> <p>Optional gauge port G</p> <p>UNC mounting kit Includes: 4 - 3/8"-16 x 1.50" SHCS 2 - 1/4"-20 x 1.50" SHCS 4 - 118 O-ring viton 2 - 111 O-ring viton 2 - pin 1 - Plug (with gauge option)</p> <p>Metric mounting kit includes: 4 - M10-1.5 x 40mm SHCS 2 - M6-1.0 x 40mm SHCS 4 - 118 O-ring viton 2 - 111 O-ring viton 2 - pin 1 - Plug (with gauge option)</p>	<p>Circuit -"PABT"</p> <p>Optional gauge port G</p> <p>UNC mounting kit Includes: 4 - 3/8"-16 x 2.50" SHCS 2 - 1/4"-20 x 2.50" SHCS 2 - 118 O-ring viton 2 - 111 O-ring viton 1 - 136 O-ring viton 2 - pin 1 - Plug (with gauge option)</p> <p>Metric mounting kit includes: 4 - M10-1.5 x 60mm SHCS 2 - M6-1.0 x 60mm SHCS 2 - 118 O-ring viton 2 - 111 O-ring viton 1 - 136 O-ring viton 2 - pin 1 - Plug (with gauge option)</p>
<p>Circuit -"PBAT"</p> <p>Optional gauge port G</p> <p>UNC mounting kit includes: 4 - 3/8"-16 x 2" SHCS 2 - 1/4"-20 x 2" SHCS 2 - 136 O-ring viton 2 - 111 O-ring viton 2 - pin 1 - Plug (with gauge option)</p> <p>Metric mounting kit includes: 4 - M10-1.5 x 50mm SHCS 2 - M6-1.0 x 50mm SHCS 2 - 136 O-ring viton 2 - 111 O-ring viton 2 - pin 1 - Plug (with gauge option)</p>	<p>Circuit -"PTXX"</p> <p>Optional gauge port G</p> <p>UNC mounting kit includes: 4 - 3/8"-16 x 1.50" SHCS 2 - 1/4"-20 x 1.50" SHCS 2 - 118 O-ring viton 2 - 111 O-ring viton 1 - 132 O-ring viton 2 - pin 1 - Plug (with gauge option)</p> <p>Metric mounting kit includes: 4 - M10-1.5 x 40mm SHCS 2 - M6-1.0 x 40mm SHCS 2 - 118 O-ring viton 2 - 111 O-ring viton 1 - 132 O-ring viton 2 - pin 1 - Plug (with gauge option)</p>

PART NUMBER SYSTEM

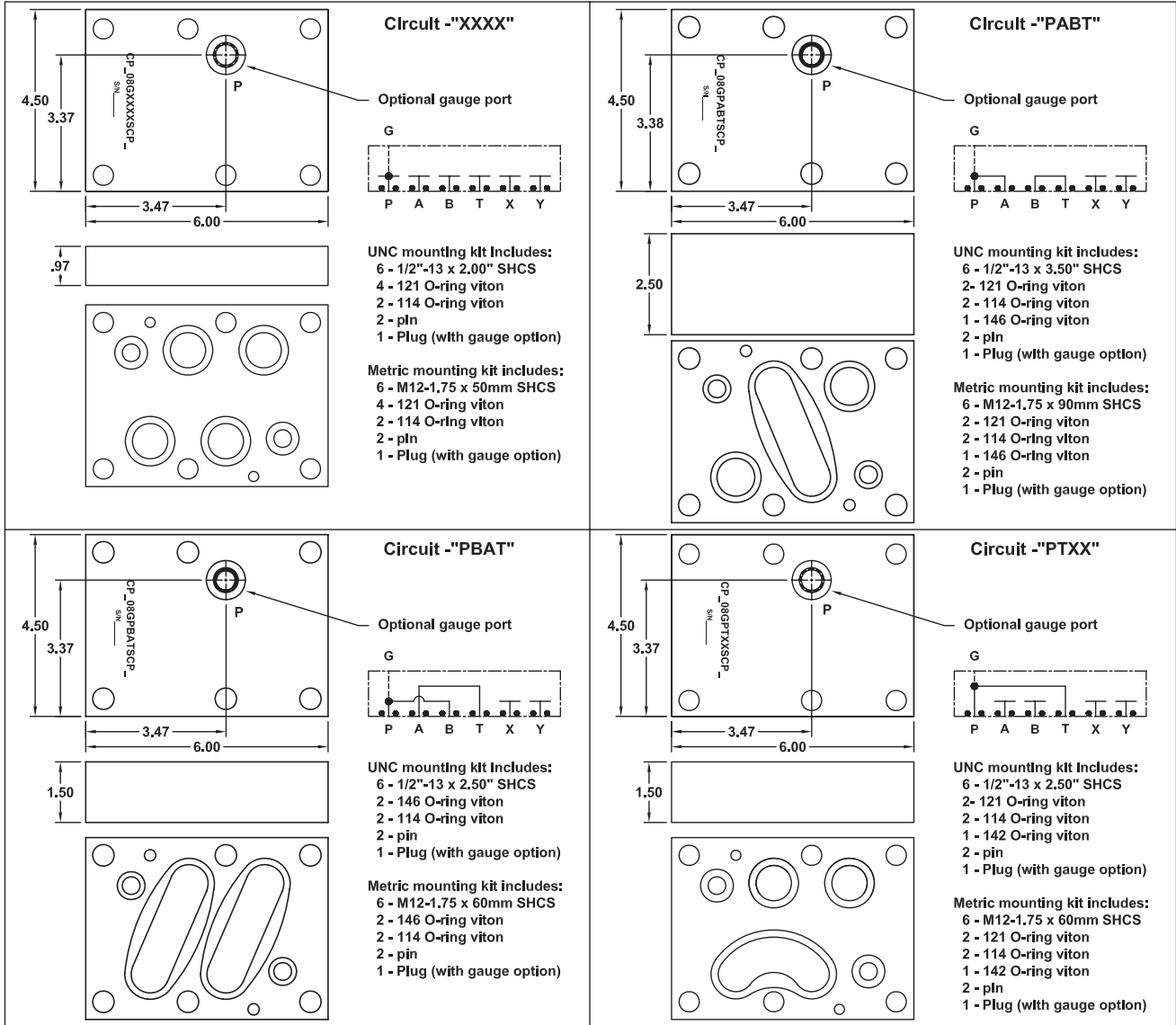
D07 Aluminum Cover Plate with All Ports Blocked & No Gauge Port Example : **CPA07GXXXXAAXU**

TYPE	MATERIAL	VALVE PATTERN	CIRCUIT CODE	GAUGE PORT CODE	LOCATION OF GAUGE PORTS	MOUNTING																																									
CP Cover Plate	A Aluminum D Ductile Iron	07G ISO 4401-07-06 NFFPA T3.5.1-D07	<table border="1"> <thead> <tr> <th>CODE</th> <th>CIRCUIT</th> </tr> </thead> <tbody> <tr> <td>XXXX</td> <td>All Ports Blocked</td> </tr> <tr> <td>PABT</td> <td>P Connected to A, B Connected to T</td> </tr> <tr> <td>PBAT</td> <td>P Connected to B, A Connected to T</td> </tr> <tr> <td>PTXX</td> <td>P Connected to T</td> </tr> </tbody> </table>	CODE	CIRCUIT	XXXX	All Ports Blocked	PABT	P Connected to A, B Connected to T	PBAT	P Connected to B, A Connected to T	PTXX	P Connected to T	<table border="1"> <thead> <tr> <th>CODE</th> <th>TYPE</th> <th>SIZE</th> </tr> </thead> <tbody> <tr> <td>AA</td> <td>None</td> <td>None</td> </tr> <tr> <td>SC</td> <td>SAE</td> <td>6</td> </tr> <tr> <td>NB</td> <td>NPTF</td> <td>1/4"</td> </tr> <tr> <td>BB</td> <td>BSPP</td> <td>1/4"</td> </tr> <tr> <td>TB</td> <td>BSPT</td> <td>1/4"</td> </tr> <tr> <td>MB</td> <td>Metric</td> <td>M10</td> </tr> </tbody> </table>	CODE	TYPE	SIZE	AA	None	None	SC	SAE	6	NB	NPTF	1/4"	BB	BSPP	1/4"	TB	BSPT	1/4"	MB	Metric	M10	<table border="1"> <thead> <tr> <th>X</th> <th>None</th> </tr> </thead> <tbody> <tr> <td>P</td> <td>P Port</td> </tr> </tbody> </table>	X	None	P	P Port	<table border="1"> <thead> <tr> <th>U</th> <th>M</th> </tr> </thead> <tbody> <tr> <td>U</td> <td>UNC Std for SAE & NPT</td> </tr> <tr> <td>M</td> <td>Metric Std for BSP* & Metric</td> </tr> </tbody> </table>	U	M	U	UNC Std for SAE & NPT	M	Metric Std for BSP* & Metric
CODE	CIRCUIT																																														
XXXX	All Ports Blocked																																														
PABT	P Connected to A, B Connected to T																																														
PBAT	P Connected to B, A Connected to T																																														
PTXX	P Connected to T																																														
CODE	TYPE	SIZE																																													
AA	None	None																																													
SC	SAE	6																																													
NB	NPTF	1/4"																																													
BB	BSPP	1/4"																																													
TB	BSPT	1/4"																																													
MB	Metric	M10																																													
X	None																																														
P	P Port																																														
U	M																																														
U	UNC Std for SAE & NPT																																														
M	Metric Std for BSP* & Metric																																														

WE RESERVE THE RIGHT TO DISCONTINUE MODELS, OR CHANGE SPECIFICATIONS WITHOUT NOTICE OR INCURRING OBLIGATION

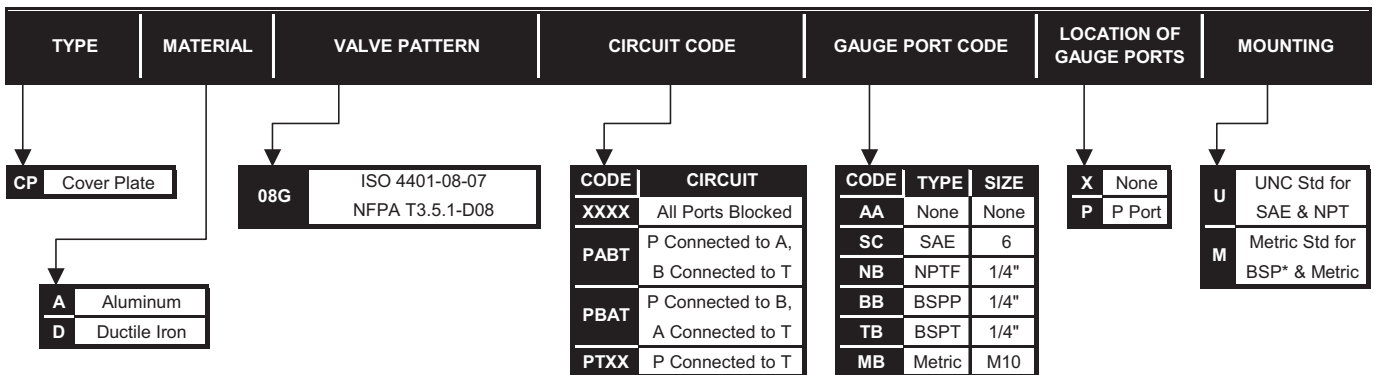
Lynch Products Can Be Modified to Suit Your Application

D08 Cover Plates



PART NUMBER SYSTEM

D08 Aluminum Cover Plate with All Ports Blocked & No Gauge Port Example : **CPA08GXXXXAAXU**



WE RESERVE THE RIGHT TO DISCONTINUE MODELS, OR CHANGE SPECIFICATIONS WITHOUT NOTICE OR INCURRING OBLIGATION

Lynch Products Can Be Modified to Suit Your Application

Phone: 1 (888) 626-4365 or +1 (905) 363-2400 Fax: 1 (800) 263-5807 www.lynch.ca sales@lynch.ca

D10 Cover Plates

<p>Circuit -"XXXX"</p> <p>Optional gauge port</p> <p>UNC mounting kit includes: 6 - 3/4"-10 x 3.50" SHCS 4 - 220 O-ring viton 3 - 210 O-ring viton 2 - pin 1 - Plug (with gauge option)</p> <p>Metric mounting kit includes: 6 - M20-2.5 x 90mm SHCS 4 - 220 O-ring viton 3 - 210 O-ring viton 2 - pin 1 - Plug (with gauge option)</p>	<p>Circuit -"PABT"</p> <p>Optional gauge port</p> <p>UNC mounting kit Includes: 6 - 3/4"-10 x 6.50" SHCS 4 - 220 O-ring viton 3 - 210 O-ring viton 2 - pin 1 - Plug (with gauge option)</p> <p>Metric mounting kit Includes: 6 - M20-2.5 x 160mm SHCS 4 - 220 O-ring viton 3 - 210 O-ring viton 2 - pin 1 - Plug (with gauge option)</p>
<p>Circuit -"PBAT"</p> <p>Optional gauge port</p> <p>UNC mounting kit Includes: 6 - 3/4"-10 x 4.00" SHCS 4 - 220 O-ring viton 3 - 210 O-ring viton 2 - pin 1 - Plug (with gauge option)</p> <p>Metric mounting kit includes: 6 - M20-2.5 x 100mm SHCS 4 - 220 O-ring viton 3 - 210 O-ring viton 2 - pin 1 - Plug (with gauge option)</p>	<p>Circuit -"PTXX"</p> <p>Optional gauge port</p> <p>UNC mounting kit Includes: 6 - 3/4"-10 x 3.50" SHCS 1 - 236 O-ring viton 2 - 220 O-ring viton 3 - 210 O-ring viton 2 - pin 1 - Plug (with gauge option)</p> <p>Metric mounting kit includes: 6 - M20-2.5 x 90mm SHCS 1 - 236 O-ring viton 2 - 220 O-ring viton 3 - 210 O-ring viton 2 - pin 1 - Plug (with gauge option)</p>

PART NUMBER SYSTEM

D10 Aluminum Cover Plate with All Ports Blocked & No Gauge Port Example : CPA10GXXXXAAXU

TYPE	MATERIAL	VALVE PATTERN	CIRCUIT CODE	GAUGE PORT CODE	LOCATION OF GAUGE PORTS	MOUNTING																																									
CP Cover Plate	A Aluminum D Ductile Iron	10G ISO 4401-10-08 NFPA T3.5.1-D10	<table border="1"> <tr><th>CODE</th><th>CIRCUIT</th></tr> <tr><td>XXXX</td><td>All Ports Blocked</td></tr> <tr><td>PABT</td><td>P Connected to A, B Connected to T</td></tr> <tr><td>PBAT</td><td>P Connected to B, A Connected to T</td></tr> <tr><td>PTXX</td><td>P Connected to T</td></tr> </table>	CODE	CIRCUIT	XXXX	All Ports Blocked	PABT	P Connected to A, B Connected to T	PBAT	P Connected to B, A Connected to T	PTXX	P Connected to T	<table border="1"> <tr><th>CODE</th><th>TYPE</th><th>SIZE</th></tr> <tr><td>AA</td><td>None</td><td>None</td></tr> <tr><td>SC</td><td>SAE</td><td>6</td></tr> <tr><td>NB</td><td>NPTF</td><td>1/4"</td></tr> <tr><td>BB</td><td>BSPP</td><td>1/4"</td></tr> <tr><td>TB</td><td>BSPT</td><td>1/4"</td></tr> <tr><td>MB</td><td>Metric</td><td>M10</td></tr> </table>	CODE	TYPE	SIZE	AA	None	None	SC	SAE	6	NB	NPTF	1/4"	BB	BSPP	1/4"	TB	BSPT	1/4"	MB	Metric	M10	<table border="1"> <tr><th>X</th><th>None</th></tr> <tr><td>P</td><td>P Port</td></tr> </table>	X	None	P	P Port	<table border="1"> <tr><th>U</th><th>M</th></tr> <tr><td>U</td><td>UNC Std for SAE & NPT</td></tr> <tr><td>M</td><td>Metric Std for BSP* & Metric</td></tr> </table>	U	M	U	UNC Std for SAE & NPT	M	Metric Std for BSP* & Metric
CODE	CIRCUIT																																														
XXXX	All Ports Blocked																																														
PABT	P Connected to A, B Connected to T																																														
PBAT	P Connected to B, A Connected to T																																														
PTXX	P Connected to T																																														
CODE	TYPE	SIZE																																													
AA	None	None																																													
SC	SAE	6																																													
NB	NPTF	1/4"																																													
BB	BSPP	1/4"																																													
TB	BSPT	1/4"																																													
MB	Metric	M10																																													
X	None																																														
P	P Port																																														
U	M																																														
U	UNC Std for SAE & NPT																																														
M	Metric Std for BSP* & Metric																																														

WE RESERVE THE RIGHT TO DISCONTINUE MODELS, OR CHANGE SPECIFICATIONS WITHOUT NOTICE OR INCURRING OBLIGATION

Lynch Products Can Be Modified to Suit Your Application

Phone: 1 (888) 626-4365 or +1 (905) 363-2400 Fax: 1 (800) 263-5807 www.lynch.ca sales@lynch.ca

Product Tips and Features

Headers & Junctions

Header & Junction blocks are used to provide distribution or connection points in a fluid power piping system. Headers provide a common through port for multiple inlet or outlet ports at each station to be neatly connected together. Junctions offer termination points to join individual lines in order to change direction or combine/split flow with other lines at each station. In both cases they provide support to the piping system.

1. Standard materials are Aluminum, Ductile Iron, and Steel. Other materials including Stainless Steel, Brass and Nylon are optionally available.
2. Special Finishes including Black Oxide, Electroless Nickel Plating or Anodizing are optionally available.
3. UNC mounting bolt kits are supplied as standard.
4. Top & Side mounting is standard.
5. Internal galleries are equal to or greater than the nominal port connection in order to minimize pressure drops and fluid velocities.
6. No variation in design layout for each Model regardless of Port Code.
7. Both Headers & Junctions are offered in odd and even number of stations up to 10. Contact factory for models with more stations.
8. Headers are offered in 0°, 90° and 180° configurations as standard. Special orders can be placed for the 270° configurations.
9. Junctions are offered in 90°, 180° and 270° configurations as standard.
10. Models with smaller ports than shown are available as non-standards. Contact factory for part numbers.
11. Optional spacing between ports available upon request. Contact factory for part numbers.
12. Optional port sizes and types such as Metric, BSPP and SAE Flanges Code 61 or 62 are available on request. Contact factory for part numbers.
13. Some models of Twin Headers and Junctions are available as a special. Contact factory for part numbers.

WE RESERVE THE RIGHT TO DISCONTINUE MODELS, OR CHANGE SPECIFICATIONS WITHOUT NOTICE OR INCURRING OBLIGATION

Lynch Products Can Be Modified to Suit Your Application

Phone: 1 (888) 626-4365 or +1 (905) 363-2400 Fax: 1 (800) 263-5807 www.lynch.ca sales@lynch.ca

Index

Headers & Junctions

Headers - Layout & Part Number System.....	7.01.01
Headers - Dimensional Data.....	7.01.02
Junctions - Layout & Part Number System.....	7.01.03
Junctions - Dimensional Data	7.01.04
Compact Headers - Layout & Part Number System.....	7.02.01
Compact Junctions - Layout & Part Number System.....	7.02.02
Typical Mounting Styles and Cross Sections.....	7.03.01
Compact Mounting Styles and Cross Sections	7.03.02
Non Standard Header Options & Ordering Information.....	7.99.01
Dual Headers & Junctions.....	Consult Factory

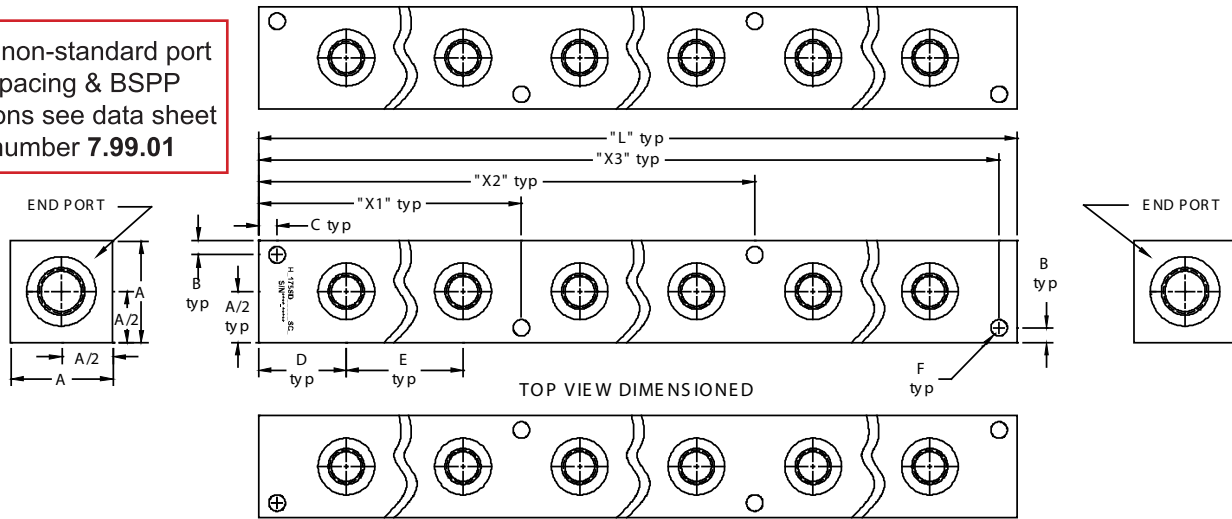
WE RESERVE THE RIGHT TO DISCONTINUE MODELS, OR CHANGE SPECIFICATIONS WITHOUT NOTICE OR INCURRING OBLIGATION

Lynch Products Can Be Modified to Suit Your Application

Phone: 1 (888) 626-4365 or + 1 (905) 363-2400 Fax: 1 (800) 263-5807 www.lynch.ca sales@lynch.ca

Headers - Layout & Part Number System

For non-standard port spacing & BSPP options see data sheet number **7.99.01**



To order a standard product, select one CODE from each Column. Port sizes are linked to material size and must be selected from the same row for standard product.
STANDARD EXAMPLE Aluminum Header with SAE 8 End Ports and SAE 6 Ports Out Top & One Side: HA175SD090**SCU

To special order a non-standard port combination, select any port code above the stock material size row.

NON-STANDARD EXAMPLE Ductile Header with SAE 6 End Ports and SAE 6 Ports Out Top & One Side: HD175SC090**SCU

TYPE	MATERIAL	MATERIAL SIZE	END PORT CODE	PORT ORIENTATION	NO. of STATIONS	SIDE PORT CODE	MT'G	
H E A D E R	Standard Options		CODE SIZE	CODE TYPE	CODE STYLE	01 to 10	CODE TYPE	U STD TOP & SIDE MTG HOLES
	A	Aluminum	100 1.00" x 1.00"	NA 1/8" NPTF	000 One Side Only		NR 1/16" NPTF	
	F	Steel					NA 1/8" NPTF	
	Non-Standard Options							
	D	Ductile	150 1.50" x 1.50"	NB 1/4" NPTF			SB SAE 4 NB 1/4" NPTF	
	B	Brass						
	6	316 Stainless Steel	175 1.75" x 1.75"	SC SAE 6 NC 3/8" NPTF	090 Top & One Side		SC SAE 6 NC 3/8" NPTF	
	3	303 Stainless Steel		SD SAE 8 ND 1/2" NPTF			SD SAE 8 ND 1/2" NPTF	
	Available on Special Order Only							
			200 2.00" x 2.00"	SF SAE 12 NF 3/4" NPTF	180 Two Opposite Sides		SF SAE 12 NF 3/4" NPTF	
			250 2.50" x 2.50"	SH SAE 16 NH 1" NPTF			SH SAE 16 NH 1" NPTF	
	Standard Options		300 3.00" x 3.00"	SI SAE 20 NI 1 1/4" NPTF	270 Top & Two Opposite Sides		SI SAE 20 NI 1 1/4" NPTF	
	A	Aluminum						
	D	Ductile						
Non-Standard Options								
6	316 Stainless Steel	350 3.50" x 3.50"	SJ SAE 24 NJ 1 1/2" NPTF	Available on Special Order Only	01 to 09 SJ SAE 24 NJ 1 1/2" NPTF			
3	303 Stainless Steel							
Available on Special Order Only								
		400 4.00" x 4.00"	SK SAE 32 NK 2" NPTF		01 to 07 SK SAE 32 NK 2" NPTF			

WE RESERVE THE RIGHT TO DISCONTINUE MODELS, OR CHANGE SPECIFICATIONS WITHOUT NOTICE OR INCURRING OBLIGATION

Lynch Products Can Be Modified to Suit Your Application

Phone: 1 (888) 626-4365 or +1 (905) 363-2400 Fax: 1 (800) 263-5807 www.lynch.ca sales@lynch.ca

Header Dimensional Data

1.00" HEADER

A	B	C	D	E	F
1.00	0.16	0.31	1.00	1.25	0.20

Mounting Kit includes:
2 or 4 SHCS 10-24 UNC x 1.50" Long

1.50" HEADER

A	B	C	D	E	F
1.50	0.25	0.31	1.13	1.38	0.27

Mounting Kit includes:
2 or 4 SHCS 1/4"-20 UNC x 2.00" Long

1.75" HEADER - STANDARD FLOW

A	B	C	D	E	F
1.75	0.25	0.31	1.06	1.75	0.27

Mounting Kit includes:
2 or 4 SHCS 1/4"-20 UNC x 2.25" Long

1.75" HEADER - HIGH FLOW

A	B	C	D	E	F
1.75	0.25	0.31	1.50	2.00	0.27

Mounting Kit includes:
2 or 4 SHCS 1/4"-20 UNC x 2.25" Long

2.00" HEADER

A	B	C	D	E	F
2.00	0.25	0.31	1.50	2.38	0.27

Mounting Kit includes:
2 or 4 SHCS 1/4"-20 UNC x 2.50" Long

2.50" HEADER

A	B	C	D	E	F
2.50	0.28	0.38	1.81	3.25	0.34

Mounting Kit includes:
2 or 4 SHCS 5/16"-18 UNC x 3.00" Long

3.00" HEADER

A	B	C	D	E	F
3.00	0.34	0.38	2.00	3.75	0.41

Mounting Kit includes:
2 or 4 SHCS 3/8"-16 UNC x 3.75" Long

3.50" HEADER

A	B	C	D	E	F
3.50	0.41	0.50	2.25	4.00	0.53

Mounting Kit includes:
2 or 4 SHCS 1/2"-13 UNC x 4.50" Long

4.00" HEADER

A	B	C	D	E	F
4.00	0.41	2.00	4.00	5.00	0.53

Mounting Kit includes:
2 or 4 SHCS 1/2"-13 UNC x 5.00" Long

No. of Stations	1	2	3	4	5	6	7	8	9	10
Dim. "L"	2.00	3.25	4.50	5.75	7.00	8.25	9.50	10.75	12.00	13.25
X1	*	*	*	*	2.88	2.88	2.88	4.13	4.13	4.13
X2	*	*	*	*	4.13	5.38	6.63	6.63	7.88	9.13
X3	1.38	2.63	3.88	5.13	6.38	7.63	8.88	10.13	11.38	12.63

No. of Stations	1	2	3	4	5	6	7	8	9	10
Dim. "L"	2.25	3.63	5.00	6.38	7.75	9.13	10.50	11.88	13.25	14.63
X1	*	*	*	*	3.19	3.19	3.19	4.56	4.56	4.56
X2	*	*	*	*	4.56	5.94	7.31	7.31	8.69	10.06
X3	1.94	3.31	4.69	6.06	7.44	8.81	10.19	11.56	12.94	14.31

No. of Stations	1	2	3	4	5	6	7	8	9	10
Dim. "L"	2.13	3.88	5.63	7.38	9.13	10.88	12.63	14.38	16.13	17.88
X1	*	*	*	*	3.69	3.69	3.69	5.44	5.44	5.44
X2	*	*	*	*	5.44	7.19	8.94	8.94	10.69	12.44
X3	1.81	3.56	5.31	7.06	8.81	10.56	12.31	14.06	15.81	17.56

No. of Stations	1	2	3	4	5	6	7	8	9	10
Dim. "L"	3.00	5.00	7.00	9.00	11.00	13.00	15.00	17.00	19.00	21.00
X1	*	*	*	*	4.50	4.50	4.50	6.50	6.50	6.50
X2	*	*	*	*	6.50	8.50	10.50	10.50	12.50	14.50
X3	2.69	4.69	6.69	8.69	10.69	12.69	14.69	16.69	18.69	20.69

No. of Stations	1	2	3	4	5	6	7	8	9	10
Dim. "L"	3.00	5.38	7.75	10.13	12.50	14.88	17.25	19.63	22.00	24.38
X1	*	*	*	*	5.06	5.06	5.06	7.44	7.44	7.44
X2	*	*	*	*	7.44	9.81	12.19	12.19	14.56	16.94
X3	2.69	5.06	7.44	9.81	12.19	14.56	16.94	19.31	21.69	24.06

No. of Stations	1	2	3	4	5	6	7	8	9	10
Dim. "L"	3.63	6.88	10.13	13.38	16.63	19.88	23.13	26.38	29.63	32.88
X1	*	*	*	*	6.69	6.69	6.69	9.94	9.94	9.94
X2	*	*	*	*	9.94	13.19	16.44	16.44	19.69	22.94
X3	3.25	6.50	9.75	13.00	16.25	19.50	22.75	26.00	29.25	32.50

No. of Stations	1	2	3	4	5	6	7	8	9	10
Dim. "L"	4.00	7.75	11.50	15.25	19.00	22.75	26.50	30.25	34.00	37.75
X1	*	*	*	*	7.63	7.63	7.63	11.38	11.38	11.38
X2	*	*	*	*	11.38	15.13	18.88	18.88	22.63	26.38
X3	3.63	7.38	11.13	14.88	18.63	22.38	26.13	29.88	33.63	37.38

No. of Stations	1	2	3	4	5	6	7	8	9
Dim. "L"	4.50	8.50	12.50	16.50	20.50	24.50	28.50	32.50	36.50
X1	*	*	*	*	8.25	8.25	8.25	12.25	12.25
X2	*	*	*	*	12.25	16.25	20.25	20.25	24.25
X3	4.00	8.00	12.00	16.00	20.00	24.00	28.00	32.00	36.00

No. of Stations	1	2	3	4	5	6	7
Dim. "L"	8.00	13.00	18.00	23.00	28.00	33.00	38.00
X1	*	*	*	*	11.50	11.50	11.50
X2	*	*	*	*	16.50	21.50	26.50
X3	6.00	11.00	16.00	21.00	26.00	31.00	36.00

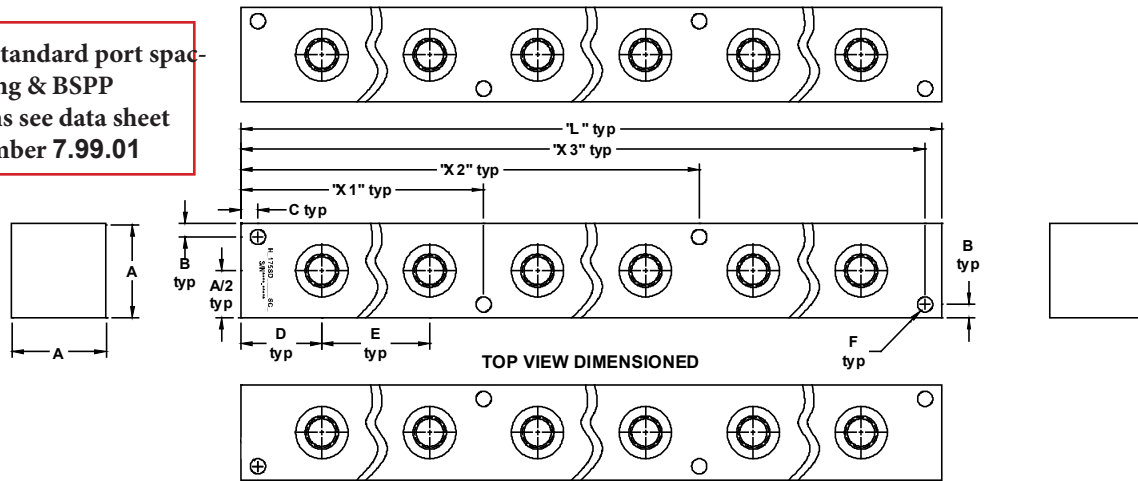
WE RESERVE THE RIGHT TO DISCONTINUE MODELS, OR CHANGE SPECIFICATIONS WITHOUT NOTICE OR INCURRING OBLIGATION

Lynch Products Can Be Modified to Suit Your Application

Phone: 1 (888) 626-4365 or +1 (905) 363-2400 Fax: 1 (800) 263-5807 www.lynch.ca sales@lynch.ca

Junctions - Layout & Part Number System

For non-standard port spacing & BSPP options see data sheet number 7.99.01



To order a standard product, select one CODE from each Column. Port sizes are linked to material size and must be selected from the same row for standard product.
STANDARD EXAMPLE Ductile Junction with SAE 16 Ports Out Top & Two Opposite Sides: JD300XX270**SHU

To special order a non-standard port code, select any port code above the stock material size row.

NON-STANDARD EXAMPLE Ductile Junction with SAE 6 Ports Out Top & One Side: JD175XX090**SCU

TYPE	MATERIAL	MATERIAL SIZE		END PORT CODE		PORT ORIENTATION		NO. of STATIONS	SIDE PORT CODE		MT'G							
		CODE	SIZE	CODE	TYPE	CODE	STYLE		CODE	TYPE								
J JUNCTION	Standard Options	A	Aluminum	100	1.00"	XX	NONE	090	Top & One Side	NR	1/16" NPTF	U STD TOP & SIDE MTG HOLES						
	F	Steel	1.00"															
	Non-Standard Options	D	Ductile	150	1.50"								180	Two Opposite Sides	NA	1/8" NPTF		
	B	Brass	x 1.50"															
	6	316 Stainless Steel	175	1.75"	175								175	175	175	175	SB	SAE 4
	3	303 Stainless Steel		x 1.75"														
	Available on Special Order Only		175	1.75"	200								200	200	200	200	SC	SAE 6
	200	2.00"		x 2.00"														
		250	2.50"	x 2.50"	300								300	300	300	300	SD	SAE 8
	300		3.00"	x 3.00"														
		Standard Options	A	Aluminum	350								3.50"	01 to 09	01 to 09	01 to 09	SI	SAE 20
	D	Ductile	3.50"															
Non-Standard Options	6	316 Stainless Steel	400	4.00"	01 to 07	01 to 07	01 to 07	01 to 07	SJ	SAE 24								
3	303 Stainless Steel	x 4.00"																
Available on Special Order Only		400	4.00"	400	400	400	400	400	NJ	1 1/2" NPTF								
400	x 4.00"																	

WE RESERVE THE RIGHT TO DISCONTINUE MODELS, OR CHANGE SPECIFICATIONS WITHOUT NOTICE OR INCURRING OBLIGATION

Lynch Products Can Be Modified to Suit Your Application

Phone: 1 (888) 626-4365 or +1 (905) 363-2400 Fax: 1 (800) 263-5807 www.lynch.ca sales@lynch.ca

Junction Dimensional Data

1.00" JUNCTION

A	B	C	D	E	F
1.00	0.16	0.63	1.00	1.25	0.20

Mounting Kit includes:
2 or 4 SHCS 10-24 UNC x 1.50" Long

1.50" JUNCTION

A	B	C	D	E	F
1.50	0.25	0.31	1.13	1.38	0.27

Mounting Kit includes:
2 or 4 SHCS 1/4"-20 UNC x 2.00" Long

1.75" JUNCTION - STANDARD FLOW

A	B	C	D	E	F
1.75	0.25	0.31	1.06	1.75	0.27

Mounting Kit includes:
2 or 4 SHCS 1/4"-20 UNC x 2.25" Long

1.75" JUNCTION - HIGH FLOW

A	B	C	D	E	F
1.75	0.25	0.31	1.50	2.00	0.27

Mounting Kit includes:
2 or 4 SHCS 1/4"-20 UNC x 2.25" Long

2.00" JUNCTION

A	B	C	D	E	F
2.00	0.25	0.31	1.50	2.38	0.27

Mounting Kit includes:
2 or 4 SHCS 1/4"-20 UNC x 2.50" Long

2.50" JUNCTION

A	B	C	D	E	F
2.50	0.28	0.38	1.81	3.25	0.34

Mounting Kit includes:
2 or 4 SHCS 5/16"-18 UNC x 3.00" Long

3.00" JUNCTION

A	B	C	D	E	F
3.00	0.34	0.38	2.00	3.75	0.41

Mounting Kit includes:
2 or 4 SHCS 3/8"-16 UNC x 3.75" Long

3.50" JUNCTION

A	B	C	D	E	F
3.50	0.41	0.50	2.25	4.00	0.53

Mounting Kit includes:
2 or 4 SHCS 1/2"-13 UNC x 4.50" Long

4.00" JUNCTION

A	B	C	D	E	F
4.00	0.41	0.50	2.50	5.00	0.53

Mounting Kit includes:
2 or 4 SHCS 1/2"-13 UNC x 5.00" Long

No. of Stations	1	2	3	4	5	6	7	8	9	10
Dim. "L"	2.00	3.25	4.50	5.75	7.00	8.25	9.50	10.75	12.00	13.25
X1	*	*	*	*	2.88	2.88	2.88	4.13	4.13	4.13
X2	*	*	*	*	4.13	5.38	6.63	6.63	7.88	9.13
X3	1.38	2.63	3.88	5.13	6.38	7.63	8.88	10.13	11.38	12.63

No. of Stations	1	2	3	4	5	6	7	8	9	10
Dim. "L"	2.25	3.63	5.00	6.38	7.75	9.13	10.50	11.88	13.25	14.63
X1	*	*	*	*	3.19	3.19	3.19	4.56	4.56	4.56
X2	*	*	*	*	4.56	5.94	7.31	7.31	8.69	10.06
X3	1.94	3.31	4.69	6.06	7.44	8.81	10.19	11.56	12.94	14.31

No. of Stations	1	2	3	4	5	6	7	8	9	10
Dim. "L"	2.13	3.88	5.63	7.38	9.13	10.88	12.63	14.38	16.13	17.88
X1	*	*	*	*	3.69	3.69	3.69	5.44	5.44	5.44
X2	*	*	*	*	5.44	7.19	8.94	8.94	10.69	12.44
X3	1.81	3.56	5.31	7.06	8.81	10.56	12.31	14.06	15.81	17.56

No. of Stations	1	2	3	4	5	6	7	8	9	10
Dim. "L"	3.00	5.00	7.00	9.00	11.00	13.00	15.00	17.00	19.00	21.00
X1	*	*	*	*	4.50	4.50	4.50	6.50	6.50	6.50
X2	*	*	*	*	6.50	8.50	10.50	10.50	12.50	14.50
X3	2.69	4.69	6.69	8.69	10.69	12.69	14.69	16.69	18.69	20.69

No. of Stations	1	2	3	4	5	6	7	8	9	10
Dim. "L"	3.00	5.38	7.75	10.13	12.50	14.88	17.25	19.63	22.00	24.38
X1	*	*	*	*	5.06	5.06	5.06	7.44	7.44	7.44
X2	*	*	*	*	7.44	9.81	12.19	12.19	14.56	16.94
X3	2.69	5.06	7.44	9.81	12.19	14.56	16.94	19.31	21.69	24.06

No. of Stations	1	2	3	4	5	6	7	8	9	10
Dim. "L"	3.63	6.88	10.13	13.38	16.63	19.88	23.13	26.38	29.63	32.88
X1	*	*	*	*	6.69	6.69	6.69	9.94	9.94	9.94
X2	*	*	*	*	9.94	13.19	16.44	16.44	19.69	22.94
X3	3.25	6.50	9.75	13.00	16.25	19.50	22.75	26.00	29.25	32.50

No. of Stations	1	2	3	4	5	6	7	8	9	10
Dim. "L"	4.00	7.75	11.50	15.25	19.00	22.75	26.50	30.25	34.00	37.75
X1	*	*	*	*	7.63	7.63	7.63	11.38	11.38	11.38
X2	*	*	*	*	11.38	15.13	18.88	18.88	22.63	26.38
X3	3.63	7.38	11.13	14.88	18.63	22.38	26.13	29.88	33.63	37.38

No. of Stations	1	2	3	4	5	6	7	8	9
Dim. "L"	4.50	8.50	12.50	16.50	20.50	24.50	28.50	32.50	36.50
X1	*	*	*	*	8.25	8.25	8.25	12.25	12.25
X2	*	*	*	*	12.25	16.25	20.25	20.25	24.25
X3	4.00	8.00	12.00	16.00	20.00	24.00	28.00	32.00	36.00

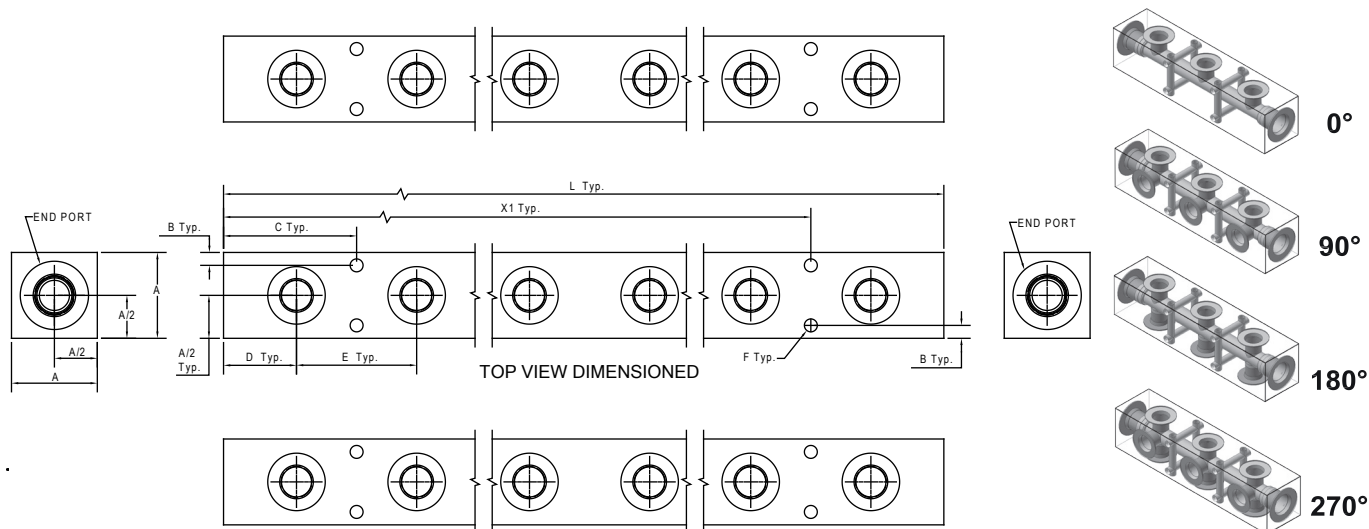
No. of Stations	1	2	3	4	5	6	7
Dim. "L"	5.00	10.00	15.00	20.00	25.00	30.00	35.00
X1	*	*	*	*	10.00	10.00	10.00
X2	*	*	*	*	15.00	20.00	25.00
X3	4.50	9.50	14.50	19.50	24.50	29.50	34.50

WE RESERVE THE RIGHT TO DISCONTINUE MODELS, OR CHANGE SPECIFICATIONS WITHOUT NOTICE OR INCURRING OBLIGATION

Lynch Products Can Be Modified to Suit Your Application

Phone: 1 (888) 626-4365 or +1 (905) 363-2400 Fax: 1 (800) 263-5807 www.lynch.ca sales@lynch.ca

Compact Headers - Layout & Part Number System



H1 COMPACT HEADER

A	B	C	D	E	F
0.88	0.14	0.69	0.38	0.63	0.13

H2 COMPACT HEADER

A	B	C	D	E	F
1.00	0.15	0.88	0.50	0.75	0.16

H3 COMPACT HEADER

A	B	C	D	E	F
1.25	0.18	1.06	0.63	0.88	0.19

H4 COMPACT HEADER

A	B	C	D	E	F
1.25	0.18	1.94	1.06	1.75	0.19

No. of Stations	2	3	4	5	6	7	8	9	10
Dim. "L"	1.38	2.00	2.63	3.25	3.88	4.50	5.13	5.75	6.38
X1	N/A	1.31	1.94	2.56	3.19	3.81	4.44	5.06	5.69

No. of Stations	2	3	4	5	6	7	8	9	10
Dim. "L"	1.75	2.50	3.25	4.00	4.75	5.50	6.25	7.00	7.75
X1	N/A	1.63	2.38	3.13	3.88	4.63	5.38	6.13	6.88

No. of Stations	2	3	4	5	6	7	8	9	10
Dim. "L"	2.13	3.00	3.88	4.75	5.63	6.50	7.38	8.25	9.13
X1	N/A	1.94	2.81	3.69	4.56	5.44	6.31	7.19	8.06

No. of Stations	2	3	4	5	6	7	8	9	10
Dim. "L"	3.88	5.63	7.38	9.13	10.88	12.63	14.38	16.13	17.88
X1	N/A	3.69	5.44	7.19	8.94	10.69	12.44	14.19	15.94

EXAMPLE Steel Compact Header with SAE 6 End Ports and SAE 4 Ports Out Two Opposite Sides: H4F125SC180**SB

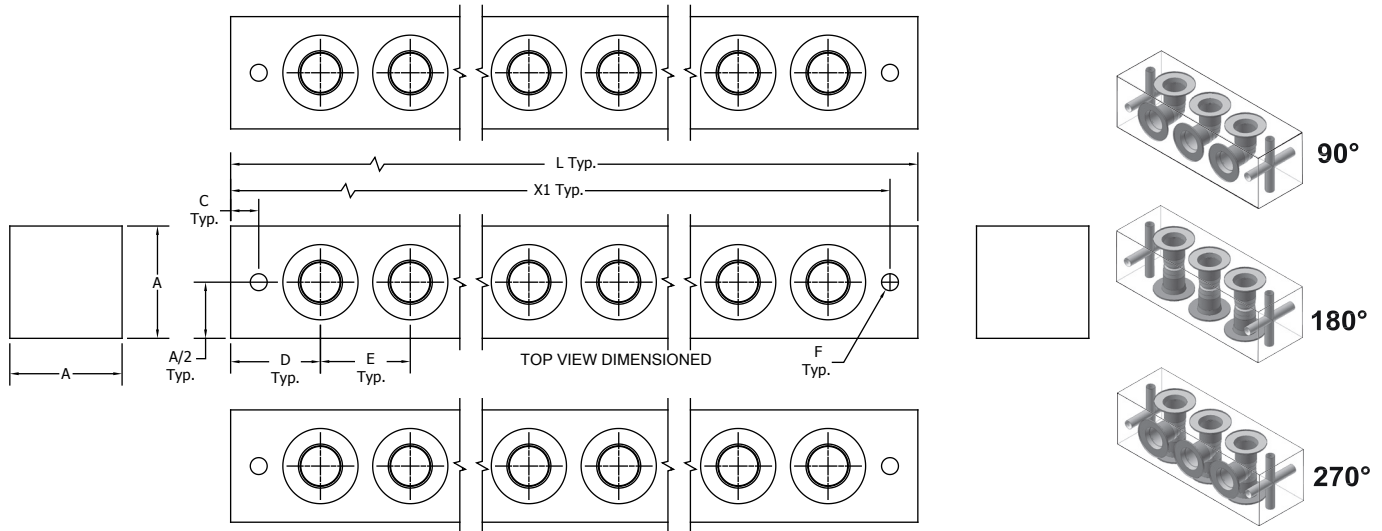
TYPE	MATERIAL	MATERIAL SIZE	END PORT CODE	PORT ORIENTATION	NO. of STATIONS	SIDE PORT CODE
C O M P A C T H E A D E R S	CODE H1 Standard Options B Brass F Steel	CODE SIZE 088 .88" x .88"	CODE TYPE NA 1/8" NPTF	CODE STYLE 000 0° One Side Only	02 to 10	CODE TYPE NR 1/16" NPTF
	H2 Aluminum	100 1.00" x 1.00"	NB 1/4" NPTF	090 90° Top & One Side		NA 1/8" NPTF
	H3 Non-Standard Options 6 316 Stainless Steel Available on Special Order Only	125 1.25" x 1.25"	NC 3/8" NPTF	180 180° Two Opposite Sides		NB 1/4" NPTF
	H4		SC SAE 6 NC 3/8" NPTF	270 270° Top & Two Opposite Sides Available on Special Order Only		SB SAE 4 NB 1/4" NPTF

WE RESERVE THE RIGHT TO DISCONTINUE MODELS, OR CHANGE SPECIFICATIONS WITHOUT NOTICE OR INCURRING OBLIGATION

Lynch Products Can Be Modified to Suit Your Application

Phone: 1 (888) 626-4365 or +1 (905) 363-2400 Fax: 1 (800) 263-5807 www.lynch.ca sales@lynch.ca

Compact Junctions - Layout & Part Number System



1.25" COMPACT JUNCTION FOR 1/8" & 1/4" PORTING

A	C	D	E	F
1.25	0.31	1.00	1.00	0.28

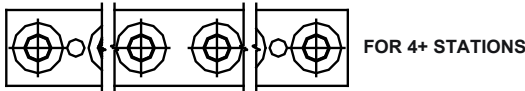
No. of Stations	1	2	3	4	5	6	7	8	9	10
Dim. "L"	2.00	3.00	4.00	5.00	6.00	7.00	8.00	9.00	10.00	11.00
X1	1.69	2.69	3.69	4.69	5.69	6.69	7.69	8.69	9.69	10.69

1.50" COMPACT JUNCTION FOR 3/8" PORTING

A	C	D	E	F
1.50	0.38	1.13	1.50	0.34
	1.38	0.63		

No. of Stations	1	2	3	4	5	6	7	8	9	10
Dim. "L"	2.25	3.75	5.25	5.75	7.25	8.75	10.25	11.75	13.25	14.75
X1	1.88	3.38	4.88	4.38	5.88	7.38	8.88	10.38	11.88	13.38

SHADED AREA - DIMENSIONS FOR 4+ STATIONS



EXAMPLE: Aluminum Compact Junction with SAE 4 Ports Out Top & One Side: JCA125XX090**SB

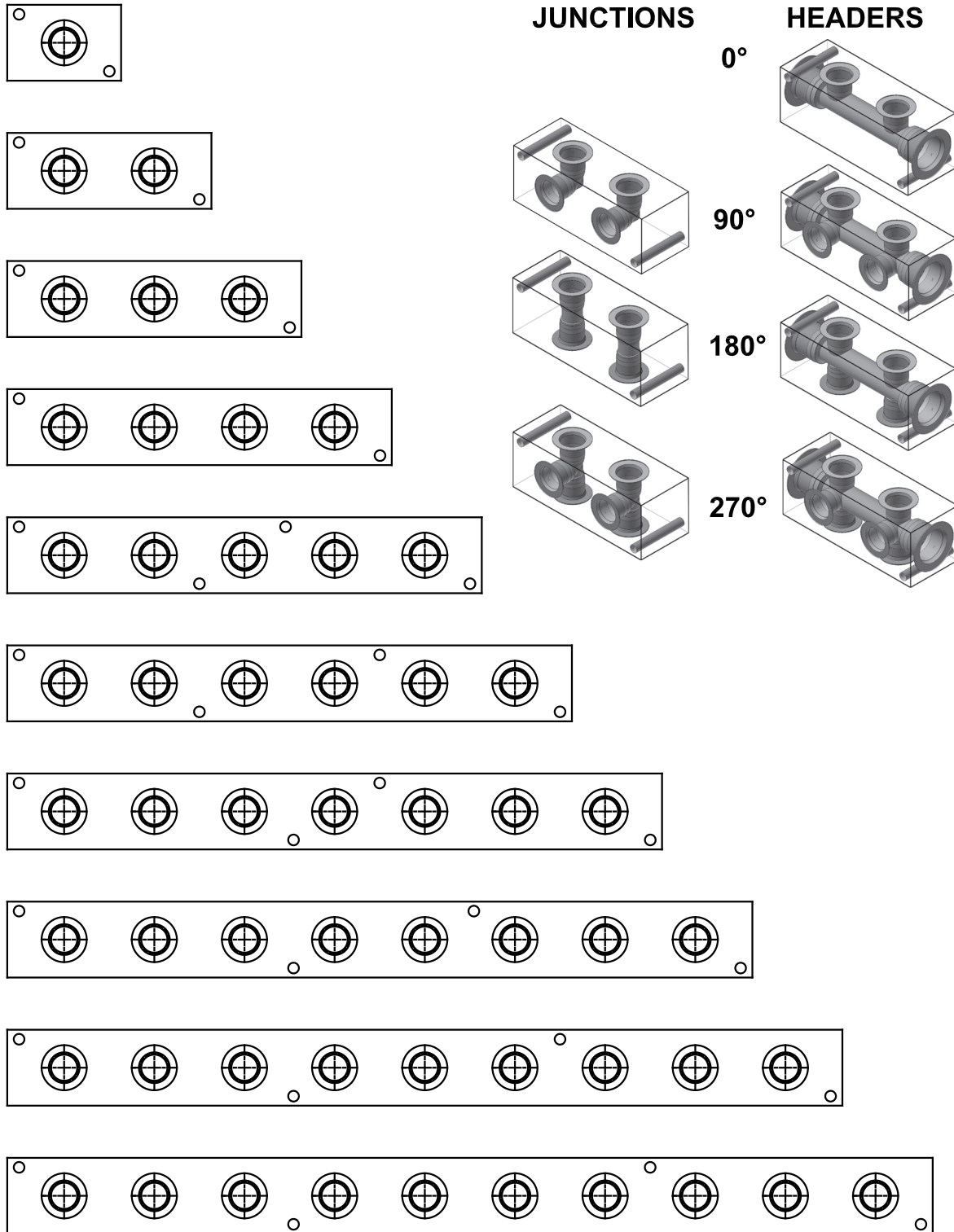
TYPE	MATERIAL	MATERIAL SIZE	END PORT CODE	PORT ORIENTATION	NO. of STATIONS	SIDE PORT CODE																
COMPACT JUNCTION	Standard Options			<table border="1"> <thead> <tr> <th>CODE</th> <th>STYLE</th> </tr> </thead> <tbody> <tr> <td>090</td> <td> 90° Top & One Side</td> </tr> <tr> <td>180</td> <td> 180° Two Opposite Sides</td> </tr> <tr> <td>270</td> <td> 270° Top & Two Opposite Sides Available on Special Order Only</td> </tr> </tbody> </table>	CODE	STYLE	090	90° Top & One Side	180	180° Two Opposite Sides	270	270° Top & Two Opposite Sides Available on Special Order Only	01 to 10	<table border="1"> <thead> <tr> <th>CODE</th> <th>TYPE</th> </tr> </thead> <tbody> <tr> <td>NA</td> <td>1/8" NPTF</td> </tr> <tr> <td>SB</td> <td>SAE 4</td> </tr> <tr> <td>NB</td> <td>1/4" NPTF</td> </tr> </tbody> </table>	CODE	TYPE	NA	1/8" NPTF	SB	SAE 4	NB	1/4" NPTF
	CODE	STYLE																				
	090	90° Top & One Side																				
	180	180° Two Opposite Sides																				
270	270° Top & Two Opposite Sides Available on Special Order Only																					
CODE	TYPE																					
NA	1/8" NPTF																					
SB	SAE 4																					
NB	1/4" NPTF																					
B	Brass	<table border="1"> <thead> <tr> <th>CODE</th> <th>SIZE</th> </tr> </thead> <tbody> <tr> <td>125</td> <td>1.25" x 1.25"</td> </tr> </tbody> </table>	CODE	SIZE	125	1.25" x 1.25"	<table border="1"> <thead> <tr> <th>CODE</th> <th>TYPE</th> </tr> </thead> <tbody> <tr> <td>XX</td> <td>NONE</td> </tr> </tbody> </table>	CODE	TYPE	XX	NONE											
CODE	SIZE																					
125	1.25" x 1.25"																					
CODE	TYPE																					
XX	NONE																					
F	Steel																					
A	Aluminum																					
	Non-Standard Options																					
3	303 Stainless Steel	<table border="1"> <thead> <tr> <th>CODE</th> <th>SIZE</th> </tr> </thead> <tbody> <tr> <td>150</td> <td>1.50" x 1.50"</td> </tr> </tbody> </table>	CODE	SIZE	150	1.50" x 1.50"																
CODE	SIZE																					
150	1.50" x 1.50"																					
4	304 Stainless Steel																					
6	316 Stainless Steel																					
	Available on Special Order Only																					
				<table border="1"> <thead> <tr> <th>CODE</th> <th>TYPE</th> </tr> </thead> <tbody> <tr> <td>SC</td> <td>SAE 6</td> </tr> <tr> <td>NC</td> <td>3/8" NPTF</td> </tr> </tbody> </table>	CODE	TYPE	SC	SAE 6	NC	3/8" NPTF												
CODE	TYPE																					
SC	SAE 6																					
NC	3/8" NPTF																					

WE RESERVE THE RIGHT TO DISCONTINUE MODELS, OR CHANGE SPECIFICATIONS WITHOUT NOTICE OR INCURRING OBLIGATION

Lynch Products Can Be Modified to Suit Your Application

Phone: 1 (888) 626-4365 or +1 (905) 363-2400 Fax: 1 (800) 263-5807 www.lynch.ca sales@lynch.ca

Typical Mounting Styles and Cross Sections

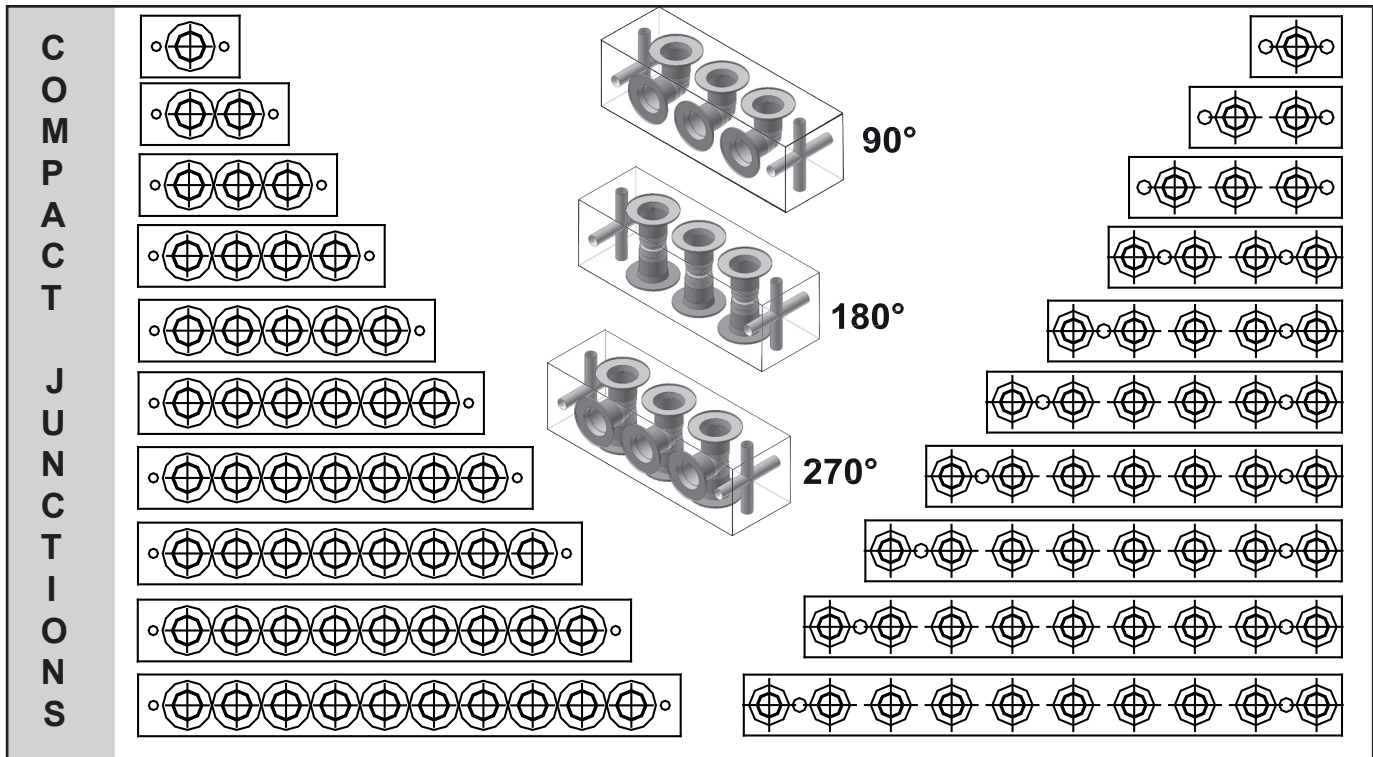
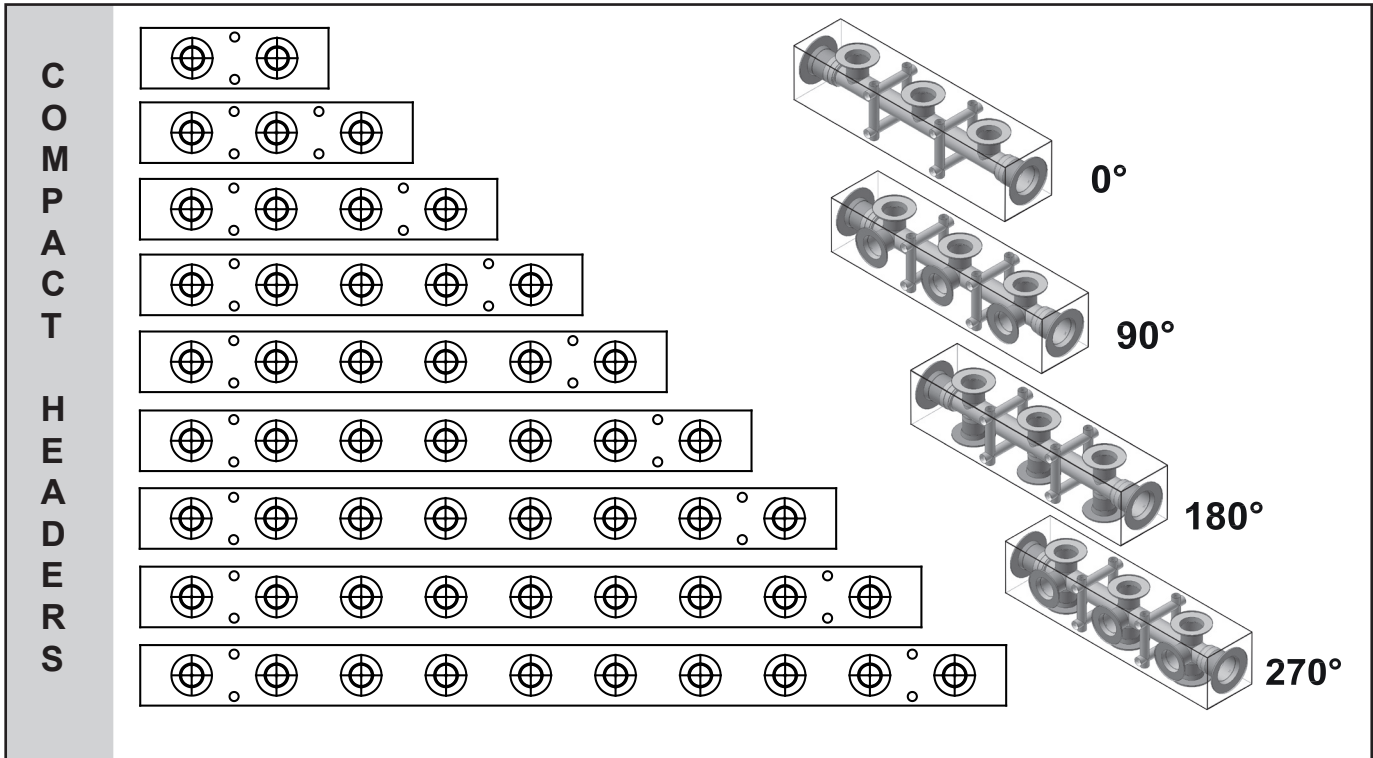


WE RESERVE THE RIGHT TO DISCONTINUE MODELS, OR CHANGE SPECIFICATIONS WITHOUT NOTICE OR INCURRING OBLIGATION

Lynch Products Can Be Modified to Suit Your Application

Phone: 1 (888) 626-4365 or +1 (905) 363-2400 Fax: 1 (800) 263-5807 www.lynch.ca sales@lynch.ca

Compact Mounting Styles and Cross Sections



WE RESERVE THE RIGHT TO DISCONTINUE MODELS, OR CHANGE SPECIFICATIONS WITHOUT NOTICE OR INCURRING OBLIGATION

Lynch Products Can Be Modified to Suit Your Application

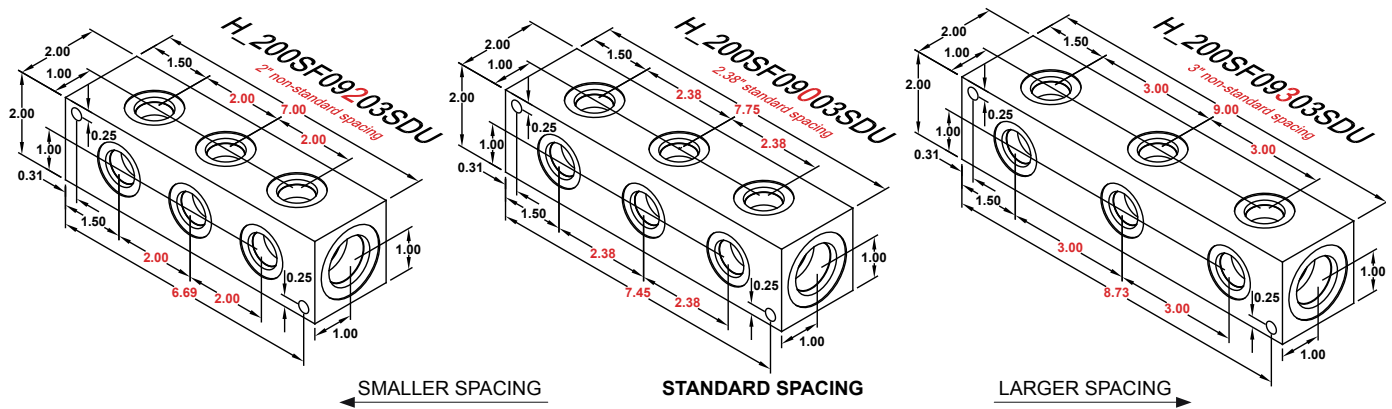
Phone: 1 (888) 626-4365 or +1 (905) 363-2400 Fax: 1 (800) 263-5807 www.lynch.ca sales@lynch.ca

Non Standard Options & Ordering Information

Combinations may be subject to a minimum quantity or set-up charge.

How To Special Order Non-Standard Port Spacing (Dimension E)

- 1- Only whole inch values can be ordered, minimum spacing is limited by the port sizes.
 - 2- Modify the third character in port orientation code with a value from 1-9.
 - ie: 000 becomes 002 for 0 degree with 2" special spacing.
 - ie: 180 becomes 184 for 180 degree with 4" special spacing.
- See complete examples below.



Note: All effected dimensions are shown above, in red.

BSPP Port Code Cross Reference

Replace the NPTF Code in the corresponding locations for either end port or side port.

Note: All BSPP configurations may not be possible, please consult the factory to confirm your part number.

CODE	TYPE
BA	1/8" BSPP
BB	1/4" BSPP
BC	3/8" BSPP
BD	1/2" BSPP
BF	3/4" BSPP
BH	1" BSPP
BI	1 1/4" BSPP
BJ	1 1/2" BSPP
BK	2" BSPP

Non Standard Part Number Examples

- Ex:** HA175NC09005NBU - Standard NPTF Header
 HA175BC09005BBU - BSPP Header Version with 3/8" BSPP End Ports and 1/4" BSPP Side Ports
- Ex:** JF150XX18010NAU - Standard NPTF Junction
 JF150XX18010BAU - BSPP Junction Version with 1/8" BSPP Side Ports
- Ex:** HD300NI00008NAU - Non-Standard NPTF Header
 HD300BI00008BHU - BSPP Header Version with 1 1/4" BSPP End Ports and 1" BSPP Side Ports

WE RESERVE THE RIGHT TO DISCONTINUE MODELS, OR CHANGE SPECIFICATIONS WITHOUT NOTICE OR INCURRING OBLIGATION

Lynch Products Can Be Modified to Suit Your Application

Phone: 1 (888) 626-4365 or +1 (905) 363-2400 Fax: 1 (800) 263-5807 www.lynch.ca sales@lynch.ca

Product Tips and Features

DIN Bodies

Din Bodies are designed for standard two-port slip-in cartridges. The bodies are designed to offer the maximum in flexibility in circuit applications. Select a variety of internal or external pilot port configurations with the use of the four internal plugs. These plugs are supplied as standard and make installation easy.

1. Standard materials are Aluminum, Ductile Iron. Other materials including Mild Steel or Stainless Steel are optionally available.
2. Special Finishes including Black Oxide, Electroless Nickel Plating or Anodizing are optionally available.
3. Sizes 16 through 63 single cavity bodies are standard. Contact factory for larger sizes.
4. Internal galleries are maximized within the ISO limits in order to minimize pressure drops and fluid velocities.
5. Circuit Version "A" is standard offering the maximum of pilot port configurations with the use of the internal plugs. Optional circuit versions available upon request. Contact factory for part numbers.
6. All UNC or Metric mounting is standard as is Metric mounting for the valve covers only and UNC mounting for all other tapped holes.
7. ISO flange ports in either Code 61 or 62 are available as standards. Contact factory for models with ISO 6164 high pressure square four-bolt flange ports, ANSI flange ports or other porting styles or combinations.
8. Optional configurations with multiple cavities and circuit layouts are available on request. Contact factory for models available.

WE RESERVE THE RIGHT TO DISCONTINUE MODELS, OR CHANGE SPECIFICATIONS WITHOUT NOTICE OR INCURRING OBLIGATION

Lynch Products Can Be Modified to Suit Your Application

Phone: 1 (888) 626-4365 or +1 (905) 363-2400 Fax: 1 (800) 263-5807 www.lynch.ca sales@lynch.ca

Index

DIN Bodies

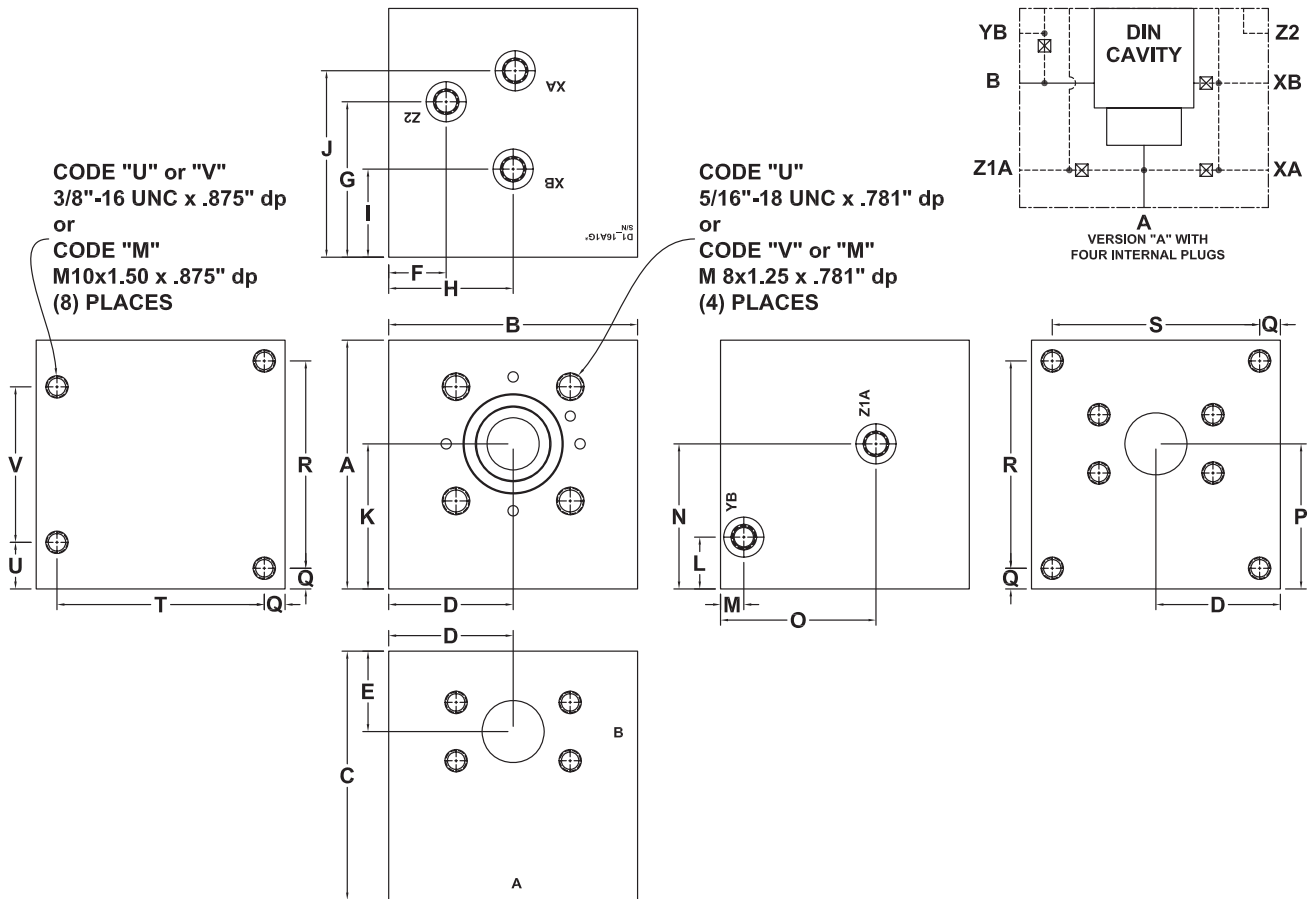
DIN 16 mm Single Cavity Body - Design "A"	8.01.01
DIN 25 mm Single Cavity Body - Design "A"	8.02.01
DIN 32 mm Single Cavity Body - Design "A"	8.03.01
DIN 40 mm Single Cavity Body - Design "A"	8.04.01
DIN 50 mm Single Cavity Body - Design "A"	8.05.01
DIN 63 mm Single Cavity Body - Design "A"	8.06.01
ISO 7368: Two-Port Slip-In Cartridge Valve Cavity	8.07.01

WE RESERVE THE RIGHT TO DISCONTINUE MODELS, OR CHANGE SPECIFICATIONS WITHOUT NOTICE OR INCURRING OBLIGATION

Lynch Products Can Be Modified to Suit Your Application

Phone: 1 (888) 626-4365 or +1 (905) 363-2400 Fax: 1 (800) 263-5807 www.lynch.ca sales@lynch.ca

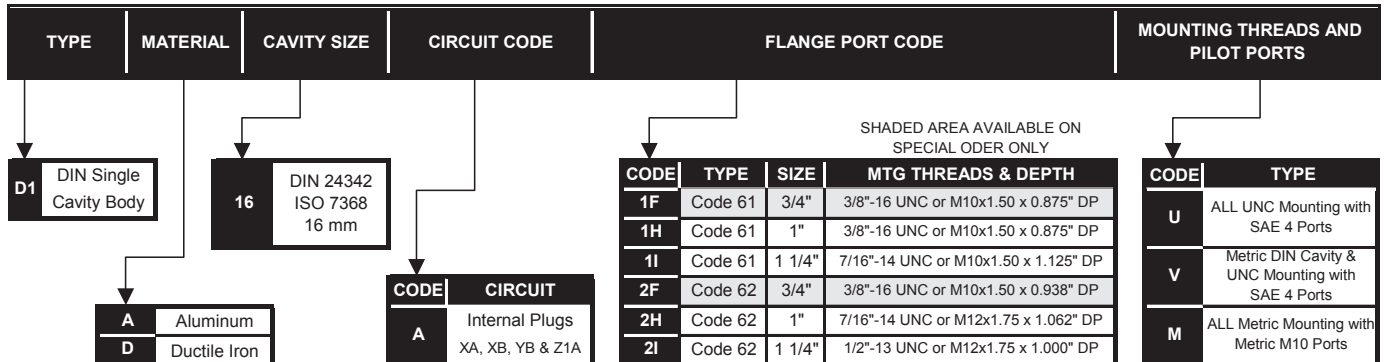
DIN 16 mm Single Cavity Body - Design "A"



DIM	A	B	C	D	E	F	G	H	I	J	K	L	M	N	O	P	Q	R	S	T	U	V	
C O D E	1F	4.00	4.00	3.00	2.00	1.31	1.02	1.38	2.00	1.38	2.50	2.25	0.63	0.44	2.25	2.50	2.25	0.38	3.25	3.25	2.25	0.78	2.44
	1H	4.00	4.00	3.00	2.00	1.50	1.02	1.38	2.00	1.38	2.50	2.25	0.63	0.44	2.25	2.50	2.25	0.38	3.25	3.25	2.25	0.78	2.44
	1I	4.00	4.00	4.00	2.00	1.63	1.02	1.38	2.00	1.38	2.50	2.25	0.63	0.44	2.25	2.50	2.13	0.38	3.25	3.25	3.25	0.78	2.44
	2F	4.00	4.00	3.00	2.00	1.31	1.02	1.38	2.00	1.38	2.50	2.25	0.63	0.44	2.25	2.50	2.25	0.38	3.25	3.25	2.25	0.78	2.44
	2H	4.00	4.00	3.00	2.00	1.50	1.02	1.38	2.00	1.38	2.50	2.25	0.63	0.44	2.25	2.50	2.25	0.38	3.25	3.25	2.25	0.78	2.44
	2I	4.00	4.00	4.00	2.00	1.63	1.02	1.38	2.00	1.38	2.50	2.25	0.63	0.44	2.25	2.50	2.13	0.38	3.25	3.25	3.25	0.78	2.44

PART NUMBER SYSTEM

Aluminum Din 16 Block with 1 SAE Code 61Port & UNC Mounting Example : **D1A16A1HU**

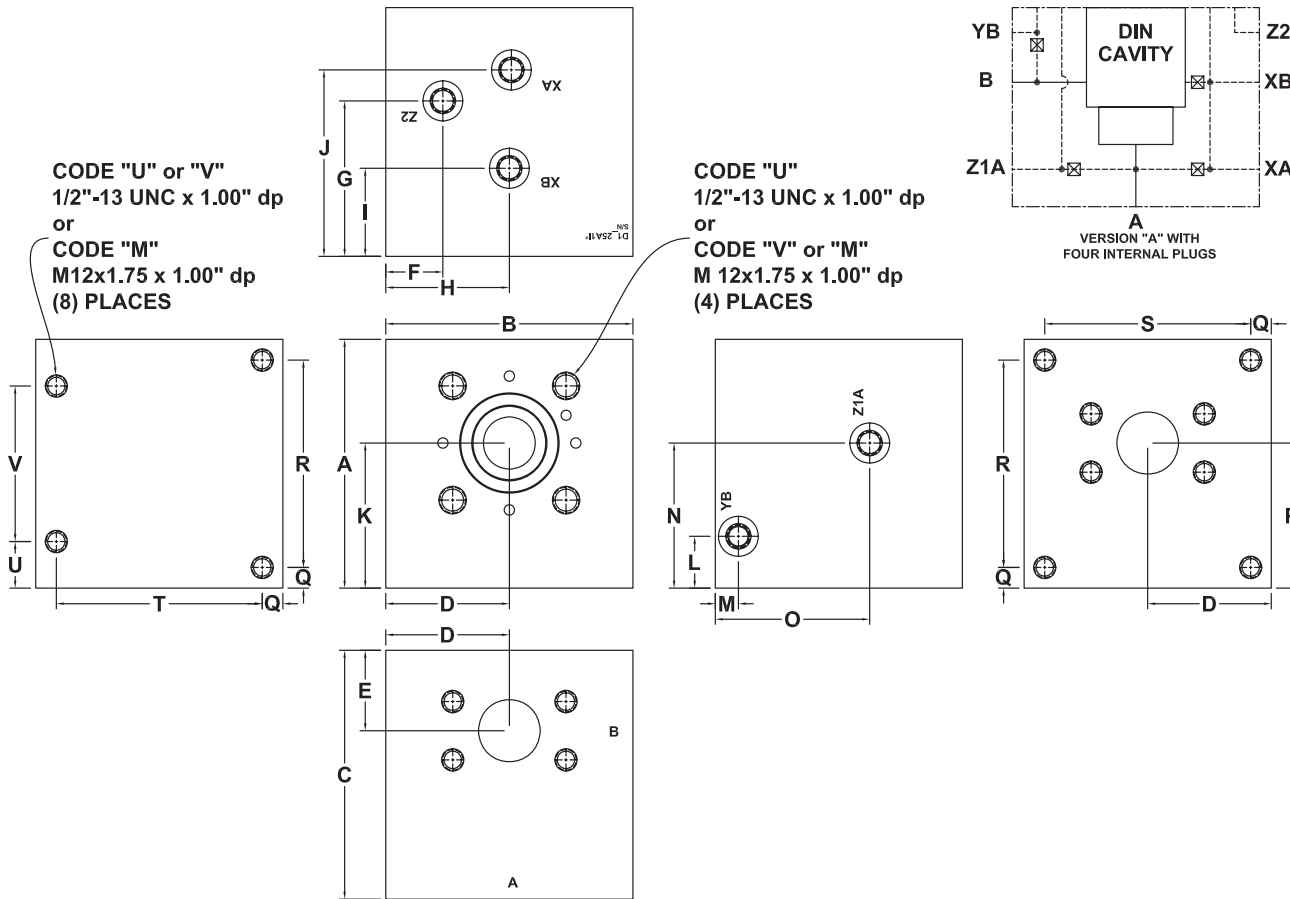


WE RESERVE THE RIGHT TO DISCONTINUE MODELS, OR CHANGE SPECIFICATIONS WITHOUT NOTICE OR INCURRING OBLIGATION

Lynch Products Can Be Modified to Suit Your Application

Phone: 1 (888) 626-4365 or +1 (905) 363-2400 Fax: 1 (800) 263-5807 www.lynch.ca sales@lynch.ca

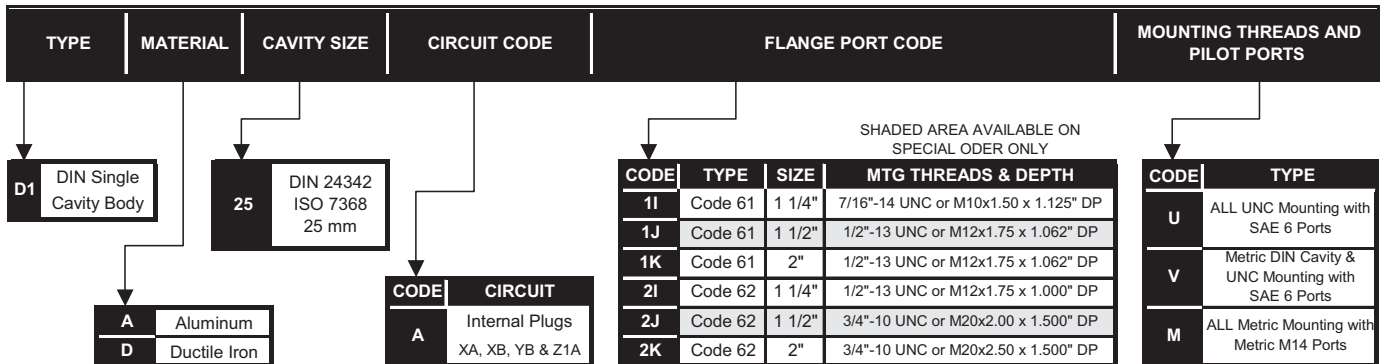
DIN 25 mm Single Cavity Body - Design "A"



DIM	A	B	C	D	E	F	G	H	I	J	K	L	M	N	O	P	Q	R	S	T	U	V
1I	5.00	4.00	4.00	2.00	1.75	0.70	2.00	2.00	2.00	3.25	2.75	0.88	0.50	2.75	3.25	2.75	0.50	4.00	3.00	3.00	1.13	2.75
1J	5.00	5.00	4.00	2.50	1.88	1.20	2.00	2.50	2.00	3.25	2.75	0.88	0.50	2.50	3.25	2.50	0.50	4.00	4.00	3.00	1.13	2.75
1K	5.00	5.00	4.00	2.50	2.00	1.20	2.00	2.50	2.00	3.25	2.75	0.88	0.50	2.50	3.25	2.50	0.50	4.00	4.00	3.00	1.13	2.75
2I	5.00	4.00	4.00	2.00	1.75	0.70	2.00	2.00	2.00	3.25	2.75	0.88	0.50	2.75	3.25	2.75	0.50	4.00	3.00	3.00	1.13	2.75
2J	5.00	5.00	4.00	2.50	1.88	1.20	2.00	2.50	2.00	3.25	2.75	0.88	0.50	2.50	3.25	2.50	0.50	4.00	4.00	3.00	1.13	2.75
2K	6.00	6.00	5.00	3.00	2.00	1.70	2.00	3.00	2.00	3.25	3.00	0.88	0.50	3.00	3.25	3.00	0.50	5.00	5.00	4.00	1.13	3.75

PART NUMBER SYSTEM

Aluminum Din 25 Block with 1 1/4" SAE Code 61Port & UNC Mounting Example : **D1A25A1IU**

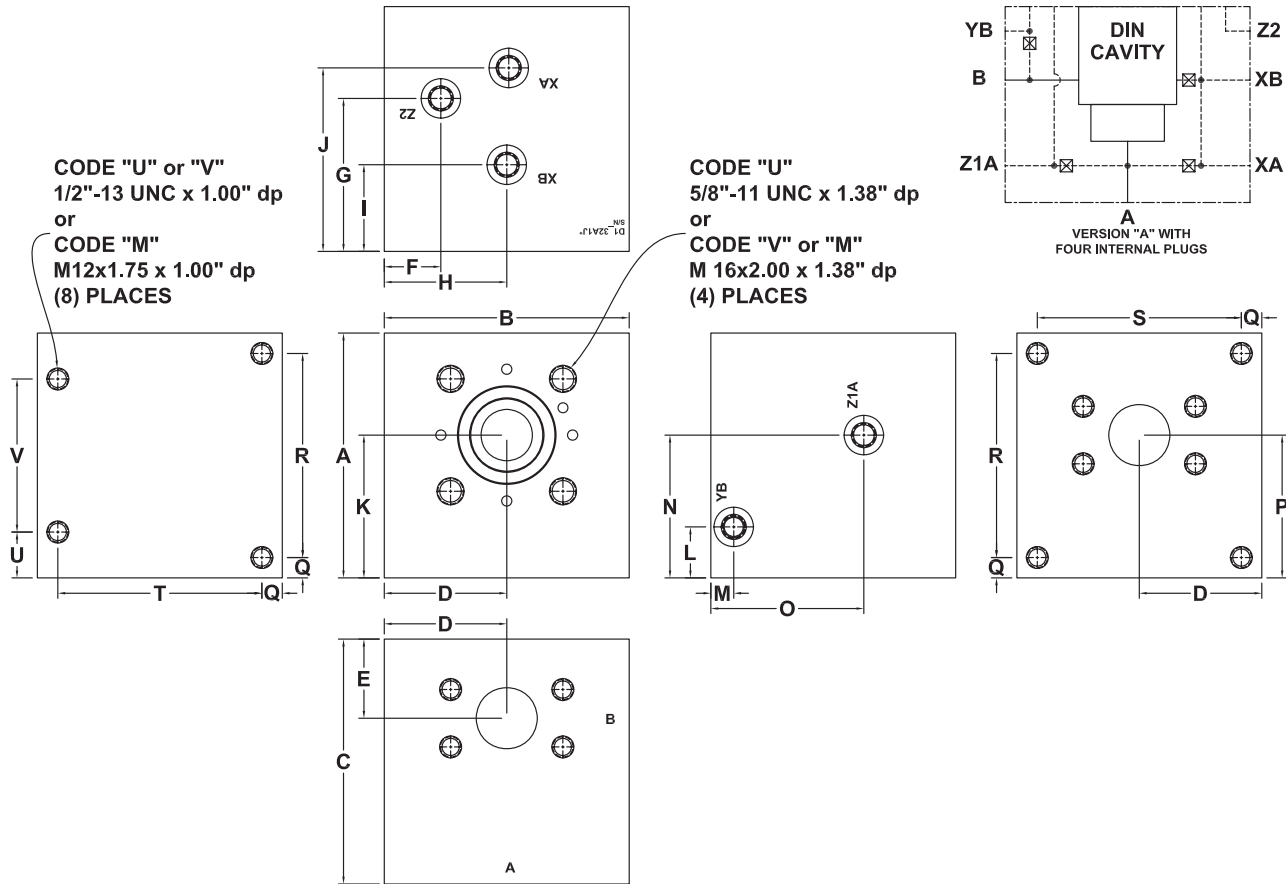


WE RESERVE THE RIGHT TO DISCONTINUE MODELS, OR CHANGE SPECIFICATIONS WITHOUT NOTICE OR INCURRING OBLIGATION

Lynch Products Can Be Modified to Suit Your Application

Phone: 1 (888) 626-4365 or +1 (905) 363-2400 Fax: 1 (800) 263-5807 www.lynch.ca sales@lynch.ca

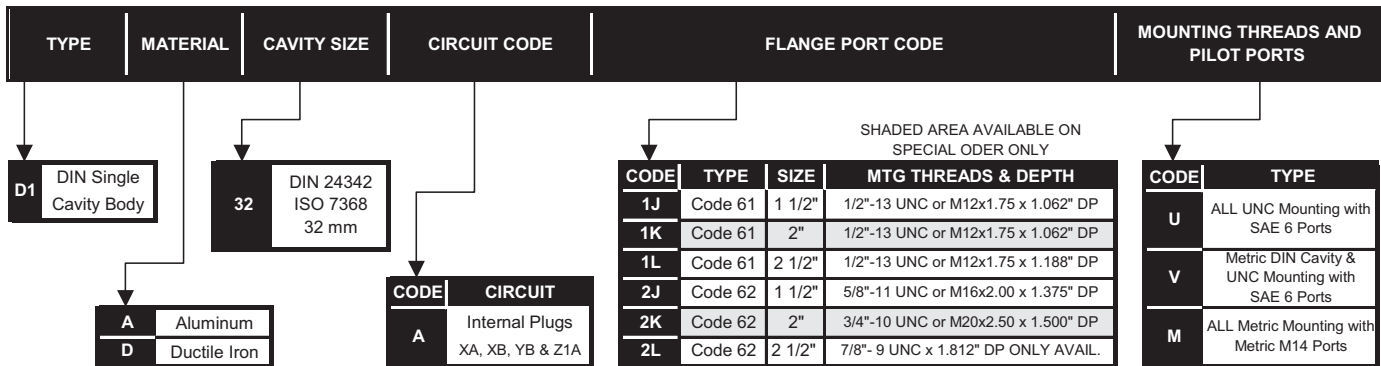
DIN 32 mm Single Cavity Body - Design "A"



DIM	A	B	C	D	E	F	G	H	I	J	K	L	M	N	O	P	Q	R	S	T	U	V
1J	6.00	6.00	6.00	3.00	1.94	1.39	3.75	3.00	2.13	3.75	3.50	1.25	0.56	3.50	3.75	3.50	0.50	5.00	5.00	5.00	1.13	3.75
1K	6.00	6.00	6.00	3.00	2.19	1.39	3.75	3.00	2.13	3.75	3.50	1.25	0.56	3.50	3.75	3.50	0.50	5.00	5.00	5.00	1.13	3.75
1L	6.00	6.00	6.00	3.00	2.38	1.39	3.75	3.00	2.13	3.75	3.50	1.25	0.56	3.50	3.75	3.50	0.50	5.00	5.00	5.00	1.13	3.75
2J	6.00	6.00	6.00	3.00	1.94	1.39	3.75	3.00	2.13	3.75	3.50	1.25	0.56	3.50	3.75	3.50	0.50	5.00	5.00	5.00	1.13	3.75
2K	6.00	6.00	6.00	3.00	2.44	1.39	3.75	3.00	2.13	3.75	3.50	1.25	0.56	3.50	3.75	3.50	0.50	5.00	5.00	5.00	1.13	3.75
2L	7.00	7.00	7.50	3.50	3.00	1.89	3.75	3.50	2.13	3.75	3.50	1.25	0.56	3.50	3.75	3.50	0.50	6.00	6.00	6.50	1.13	4.75

PART NUMBER SYSTEM

Aluminum Din 32 Block with 1 1/2" SAE Code 61Port & UNC Mounting Example : **D1A32A1JU**

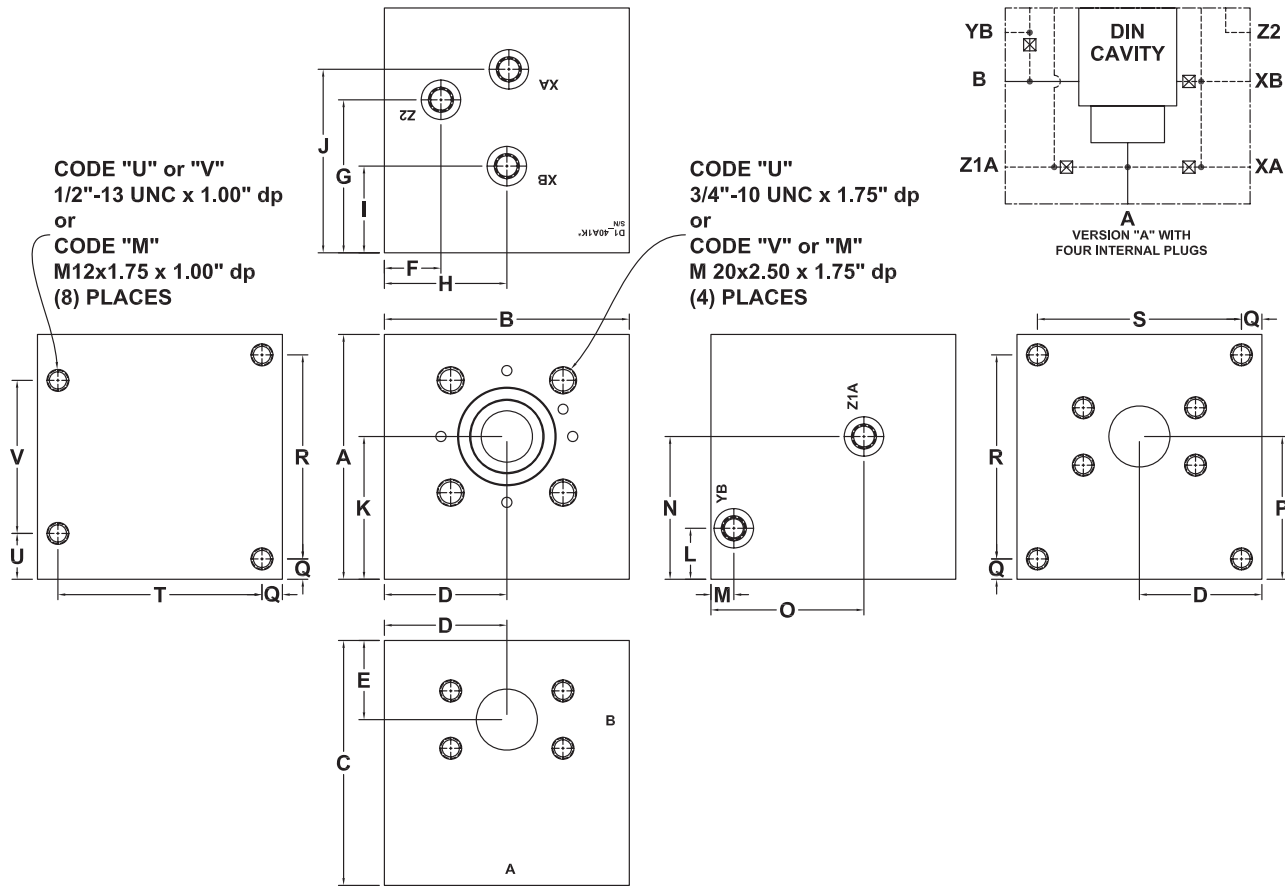


WE RESERVE THE RIGHT TO DISCONTINUE MODELS, OR CHANGE SPECIFICATIONS WITHOUT NOTICE OR INCURRING OBLIGATION

Lynch Products Can Be Modified to Suit Your Application

Phone: 1 (888) 626-4365 or +1 (905) 363-2400 Fax: 1 (800) 263-5807 www.lynch.ca sales@lynch.ca

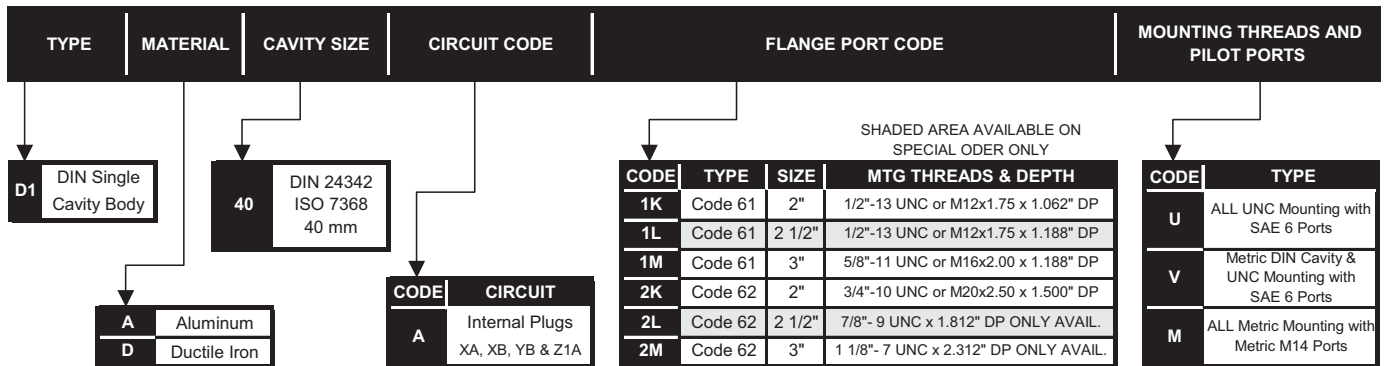
DIN 40 mm Single Cavity Body - Design "A"



DIM	A	B	C	D	E	F	G	H	I	J	K	L	M	N	O	P	Q	R	S	T	U	V	
CODE	1K	7.00	6.00	6.00	3.00	2.34	1.03	3.41	3.00	2.13	4.75	4.13	1.25	0.56	4.13	4.75	4.13	0.50	6.00	5.00	5.00	1.03	4.94
	1L	7.00	6.00	6.00	3.00	2.34	1.03	3.41	3.00	2.13	4.75	4.13	1.25	0.56	4.13	4.75	4.13	0.50	6.00	5.00	5.00	1.03	4.94
	1M	7.00	6.00	6.00	3.00	2.69	1.03	3.41	3.00	2.13	4.75	4.13	1.25	0.56	4.13	4.75	4.13	0.50	6.00	5.00	5.00	1.03	4.94
	2K	7.00	6.00	6.00	3.00	2.34	1.03	3.41	3.00	2.13	4.75	4.13	1.25	0.56	4.13	4.75	4.13	0.50	6.00	5.00	5.00	1.03	4.94
	2L	8.00	8.00	6.00	4.00	3.00	2.03	2.91	4.00	2.13	4.75	4.50	1.25	0.56	4.50	4.75	4.50	0.50	7.00	7.00	5.00	1.03	5.94
	2M	9.00	9.00	9.00	4.50	3.50	2.53	3.41	4.50	2.13	4.75	4.50	1.25	0.56	4.50	4.75	4.50	0.50	8.00	8.00	8.00	1.03	6.94

PART NUMBER SYSTEM

Aluminum Din 40 Block with 2" SAE Code 61Port & UNC Mounting Example : **D1A40A1KU**

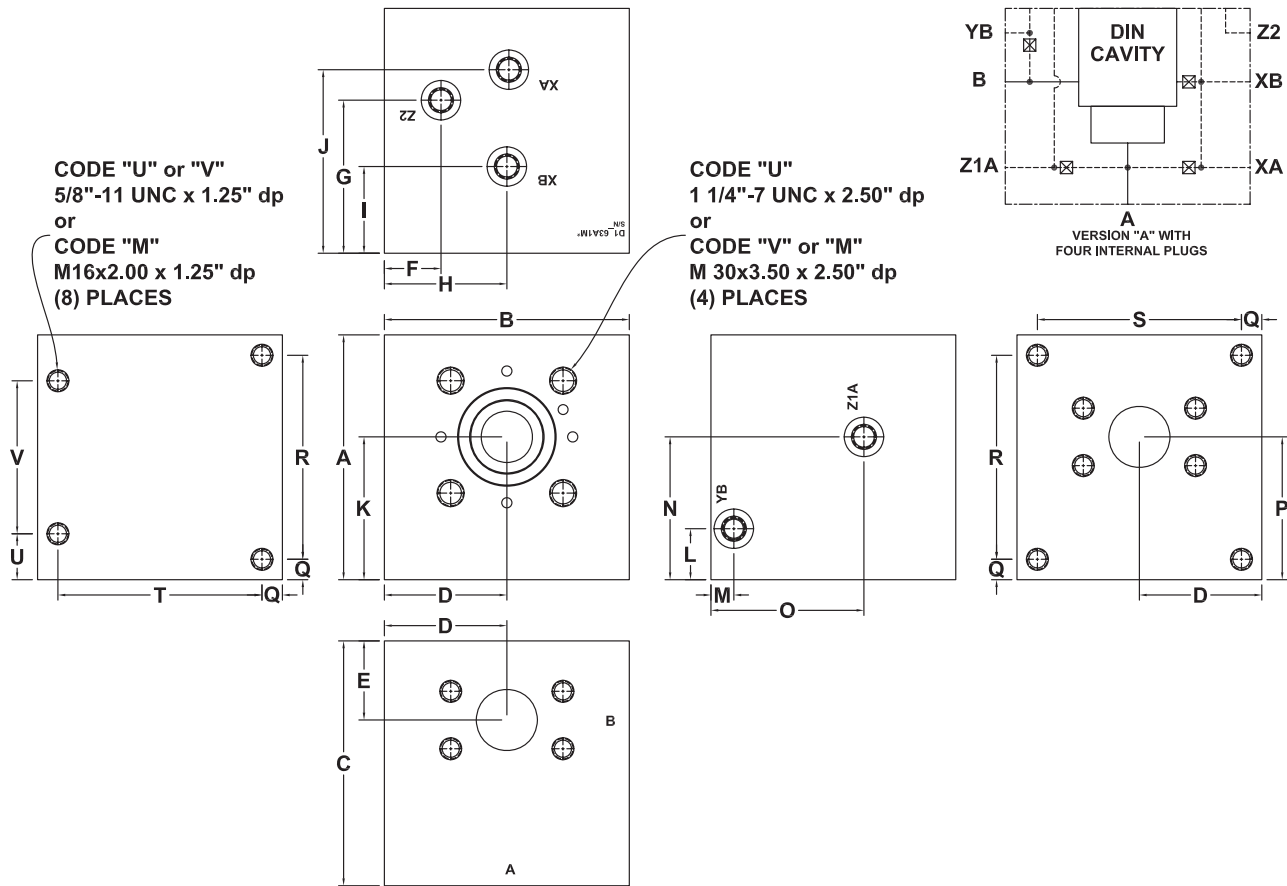


WE RESERVE THE RIGHT TO DISCONTINUE MODELS, OR CHANGE SPECIFICATIONS WITHOUT NOTICE OR INCURRING OBLIGATION

Lynch Products Can Be Modified to Suit Your Application

Phone: 1 (888) 626-4365 or +1 (905) 363-2400 Fax: 1 (800) 263-5807 www.lynch.ca sales@lynch.ca

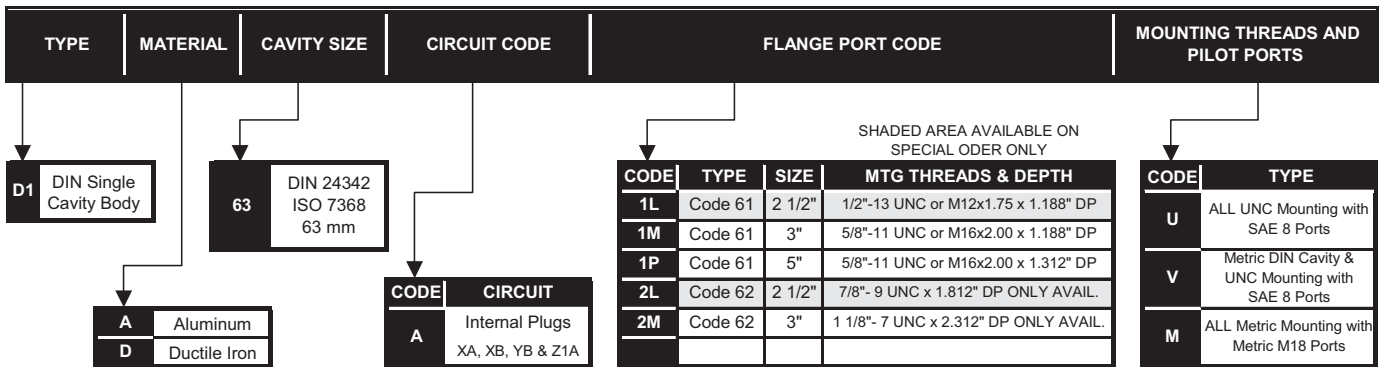
DIN 63 mm Single Cavity Body - Design "A"



DIM	A	B	C	D	E	F	G	H	I	J	K	L	M	N	O	P	Q	R	S	T	U	V	
C O D E	1L	9.00	8.00	8.00	4.00	3.75	1.05	4.50	4.00	4.50	6.50	5.00	1.00	0.63	5.00	6.50	5.00	0.63	7.75	6.75	6.75	1.38	6.25
	1M	9.00	8.00	8.00	4.00	3.50	1.05	4.50	4.00	4.50	6.50	5.00	1.00	0.63	5.00	6.50	5.00	0.63	7.75	6.75	6.75	1.38	6.25
	1P	9.00	8.00	8.00	4.00	3.75	1.05	4.50	4.00	4.50	6.50	5.00	1.00	0.63	5.00	6.50	5.00	0.63	7.75	6.75	6.75	1.38	6.25
	2L	10.00	8.00	8.00	4.00	3.75	1.05	4.50	4.00	4.50	6.50	6.00	1.00	0.63	6.00	6.50	6.00	0.63	8.75	6.75	6.75	1.38	7.25
	2M	10.00	9.00	8.00	4.50	3.50	1.55	4.06	4.50	4.50	6.50	6.00	1.00	0.63	6.00	6.50	6.00	0.63	8.75	7.75	6.75	1.38	7.25

PART NUMBER SYSTEM

Aluminum Din 63 Block with 3" SAE Code 61Port & UNC Mounting Example : **D1A63A1MU**

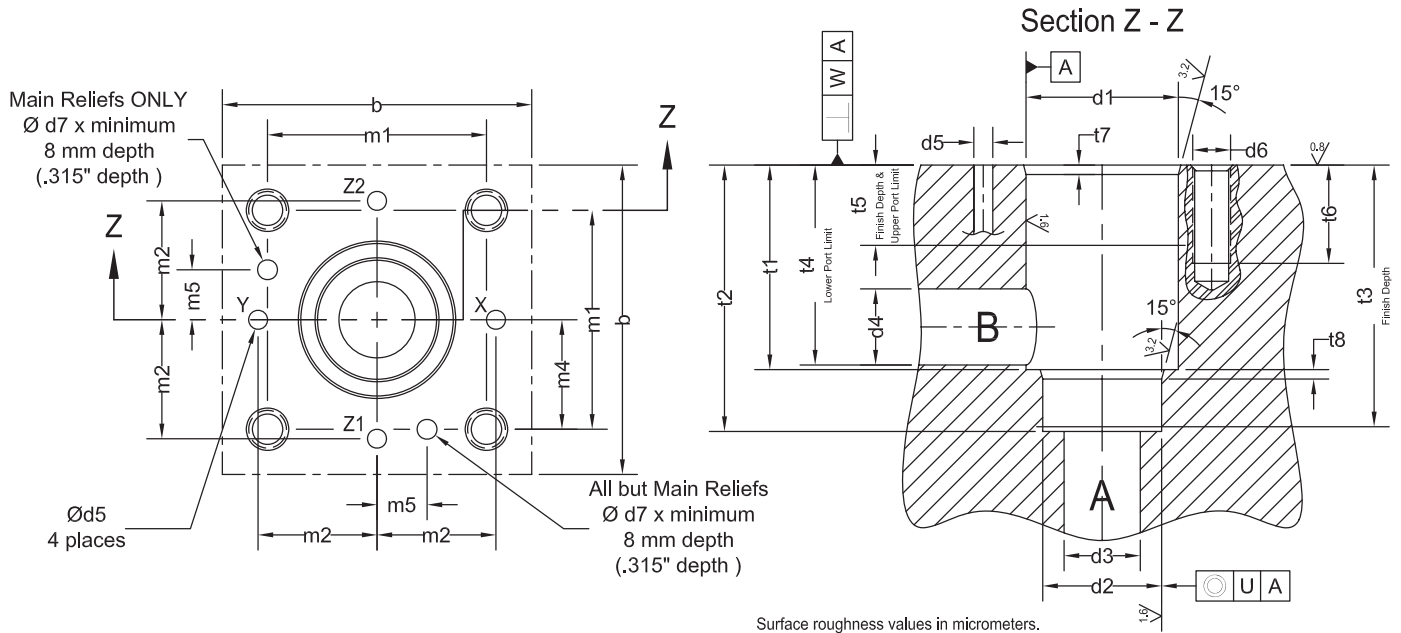


WE RESERVE THE RIGHT TO DISCONTINUE MODELS, OR CHANGE SPECIFICATIONS WITHOUT NOTICE OR INCURRING OBLIGATION

Lynch Products Can Be Modified to Suit Your Application

Phone: 1 (888) 626-4365 or +1 (905) 363-2400 Fax: 1 (800) 263-5807 www.lynch.ca sales@lynch.ca

ISO 7368: Two-Port Slip-In Cartridge Valve Cavity



	Tolerances and Limits		NOMINAL DIAMETER											
			16		25		32		40		50		63	
	mm	in	mm	in	mm	in	mm	in	mm	in	mm	in	mm	in
b	min	min	65	2.559	85	3.346	102	4.016	125	4.921	140	5.512	180	7.087
d1	H8	-	32	1.260	45	1.772	60	2.362	75	2.953	90	3.543	120	4.724
d2	H8	-	25	0.984	34	1.339	45	1.772	55	2.165	68	2.677	90	3.543
d3	max	max	16	0.630	25	0.984	32	1.260	40	1.575	50	1.969	63	2.480
d4	(1)	(1)	16	0.630	25	0.984	31.5	1.240	40	1.575	50	1.969	63	2.480
d4	max	max	22.5	0.886	27	1.063	38.5	1.516	54.5	2.146	62.5	2.461	87	3.425
d5	max	max	4	0.157	6	0.236	8	0.315	10	0.394	10	0.394	12	0.472
d6			M8	5/16"-18	M12	1/2"-13	M16	5/8"-11	M20	3/4"-10	M20	3/4"-10	M30	1-1/4"-7
d7	H13	-	4	0.157	6	0.236	6	0.236	6	0.236	8	0.315	8	0.315
m1	± 0.2	± 0.008	46	1.811	58	2.283	70	2.756	85	3.346	100	3.937	125	4.921
m2	± 0.2	± 0.008	25	0.984	33	1.299	41	1.614	50	1.969	58	2.283	75	2.953
m4	± 0.2	± 0.008	23	0.906	29	1.142	35	1.378	42.5	1.673	50	1.969	62.5	2.461
m5	± 0.2	± 0.008	10.5	0.413	16	0.630	17	0.669	23	0.906	30	1.181	38	1.496
t1	+ 0.1/0	+ .004/0	43	1.693	58	2.283	70	2.756	87	3.425	100	3.937	130	5.118
t2	+ 0.1/0	+ .004/0	56	2.205	72	2.835	85	3.346	105	4.134	122	4.803	155	6.102
t3			54	2.126	70	2.756	83	3.268	102	4.016	117	4.606	150	5.906
t4	max	max	42.5	1.673	57	2.244	68.5	2.697	84.5	3.327	97.5	3.839	127	5.000
t5	min	min	20	0.787	30	1.181	30	1.181	30	1.181	35	1.378	40	1.575
t6	(2)	(2)	20	0.787	25	0.984	35	1.378	45	1.772	45	1.772	65	2.559
t7			2	0.079	2.5	0.098	2.5	0.098	3	0.118	4	0.157	4	0.157
t8			2	0.079	2.5	0.098	2.5	0.098	3	0.118	3	0.118	4	0.157
U			0.03	0.0012	0.03	0.0012	0.03	0.0012	0.05	0.0020	0.05	0.0020	0.05	0.0020
W			0.05	0.0020	0.05	0.0020	0.10	0.0039	0.10	0.0039	0.10	0.0039	0.20	0.0079

NOTES:

- 1) Per ISO 7368 Port B (suggested diameter d4) shall be located between the dimensions indicated as t4 and t5.
- 2) Per ISO 7368 the minimum thread depth is 1.5 times the bolt diameter, d6. The recommended full thread depth is 2 times d6 plus 6mm to facilitate interchangeability of valves and to reduce the number of fixing bolt lengths. However, sufficient distance from fixing hole to Port B shall be respected.

WE RESERVE THE RIGHT TO DISCONTINUE MODELS, OR CHANGE SPECIFICATIONS WITHOUT NOTICE OR INCURRING OBLIGATION

Lynch Products Can Be Modified to Suit Your Application

Phone: 1 (888) 626-4365 or +1 (905) 363-2400 Fax: 1 (800) 263-5807 www.lynch.ca sales@lynch.ca



Index

Accessories

Mounting Kits and Cross Reference - 300, 400 Series 9.01.01
Mounting Kits - 500, 700, 900 Series 9.01.02
Stud Nuts & Kits 9.02.01
Stud Nuts & Kits - ISO 03, ISO 05 9.02.02
Stud Nuts & Kits - ISO 07, ISO 08 9.02.03
Adjustable Snubbers, Gauge Port Adapters, Line Fuses 9.03.01

WE RESERVE THE RIGHT TO DISCONTINUE MODELS, OR CHANGE SPECIFICATIONS WITHOUT NOTICE OR INCURRING OBLIGATION

Lynch Products Can Be Modified to Suit Your Application

Phone: 1 (888) 626-4365 or +1 (905) 363-2400 Fax: 1 (800) 263-5807 www.lynch.ca sales@lynch.ca

Mounting Kits - 300, 350 Series & Cross Reference

ISO INTERFACE	PARALLEL CIRCUIT					SERIES CIRCUIT	
	STD FLOW	HIGH FLOW	HIGH FLOW w/FLANGE	VERY HIGH	VERY HIGH w/FLANGE	STD FLOW	HIGH FLOW
D02	MK300**					MK300**	
D03	MK300**	MK400**	MK500**	MK500**		MK300**	
D03 (4 Bolt)	MK300VF*						
D05	MK300**	MK500**	MK500**	MK500**		MK400**	MK400**
D05 (4 Bolt)	MK350VF*						
D05H		MK500**	MK500**	MK500**			
D05HE		MK500**	MK500**	MK500**			
D07	MK500**	MK500**	MK500**			MK500**	
D08	MK700**	MK700**			MK700**	MK700**	
D10			MK900**				

NOTE: ** = Suffix denotes SHCS Threads and Viton Plug if applicable

300 Series

UNC SAE Kit P/N: MK 300 US

- (2) MK 300 Mounting Brackets
- (8) 5/16-18 x .625" Socket Head Cap Screws
- (8) Internal Tooth Lock-Washers
- (1) SAE-6 Plug (Viton)

UNC NPT Kit P/N: MK 300 UN

- (2) MK 300 Mounting Brackets
- (8) 5/16-18 x .625" Socket Head Cap Screws
- (8) Internal Tooth Lock-Washers
- (1) .250" NPTF Plug

UNC Kit P/N: MK 300 U

- (2) MK 300 Mounting Brackets
- (8) 5/16-18 x .625" Socket Head Cap Screws
- (8) Internal Tooth Lock-Washers

Metric Kit P/N: MK 300 M

- (2) MK 300 Mounting Brackets
- (8) M8x1.25 x 16mm Socket Head Cap Screws
- (8) Internal Tooth Lock-Washers

300 4 Bolt Series

UNC SAE Kit P/N: MK 300 VFS

- (1) MK 300 V - Vertical Mounting Bracket
- (1) MK 300 Gasket
- (4) 5/16-18x.625 Socket Head Cap Screws
- (4) 5/16-18X1.00 Socket Head Cap Screws
- (4) 5/16 High Collar Lock Washer
- (1) SAE-6 Plug

UNC NPT Kit P/N: MK 300 VFN

- (1) MK 300 V - Vertical Mounting Bracket
- (1) MK 300 Gasket
- (4) 5/16-18x.625 Socket Head Cap Screws
- (4) 5/16-18X1.00 Socket Head Cap Screws
- (4) 5/16 High Collar Lock Washer

300 4 Bolt Series (Continued)

Metric Kit P/N: MK 300 VFM

- (1) MK 300 V - Vertical Mounting Bracket
- (1) MK 300 Gasket
- (4) M8 - 16mm Socket Head Cap Screws
- (4) M8 - 25mm Socket Head Cap Screws
- (4) M8 High Collar Lock Washer

350 (4 Bolt) Series

UNC SAE Kit P/N: MK 350 VFS

- (1) MK 350 V - Vertical Mounting Bracket
- (1) MK 350 Gasket
- (4) 5/16-18x.625 Socket Head Cap Screws
- (4) 5/16-18X1.00 Socket Head Cap Screws
- (4) 5/16 High Collar Lock Washer
- (1) SAE-6 Plug

UNC NPT Kit P/N: MK 350 VFN

- (1) MK 350 V - Vertical Mounting Bracket
- (1) MK 350 Gasket
- (4) 5/16-18x.625 Socket Head Cap Screws
- (4) 5/16-18X1.00 Socket Head Cap Screws
- (4) 5/16 High Collar Lock Washer

Metric Kit P/N: MK 350 VFM

- (1) MK 350 V - Vertical Mounting Bracket
- (1) MK 350 Gasket
- (4) M8 - 16mm Socket Head Cap Screws
- (4) M8 - 25mm Socket Head Cap Screws
- (4) M8 High Collar Lock Washer

WE RESERVE THE RIGHT TO DISCONTINUE MODELS, OR CHANGE SPECIFICATIONS WITHOUT NOTICE OR INCURRING OBLIGATION

Lynch Products Can Be Modified to Suit Your Application

Phone: 1 (888) 626-4365 or +1 (905) 363-2400 Fax: 1 (800) 263-5807 www.lynch.ca sales@lynch.ca

Mounting Kits - 400, 500, 700, 900 Series

400 Series

UNC SAE Kit **P/N: MK 400 US**

- (2) MK 400 Mounting Brackets
- (8) 5/16-18 x .625" Socket Head Cap Screws
- (8) Internal Tooth Lock-Washers
- (1) SAE-6 Plug

UNC NPT Kit **P/N: MK 400 UN**

- (2) MK 400 Mounting Brackets
- (8) 5/16-18 x .625" Socket Head Cap Screws
- (8) Internal Tooth Lock-Washers
- (1) .250" NPTF Plug

UNC Kit **P/N: MK 400 U**

- (2) MK 400 Mounting Brackets
- (8) 5/16-18 x .625" Socket Head Cap Screws
- (8) Internal Tooth Lock-Washers

Metric Kit **P/N: MK 400 M**

- (2) MK 400 Mounting Brackets
- (8) M8x1.25 x 16mm Socket Head Cap Screws
- (8) Internal Tooth Lock-Washers

700 series

UNC SAE Kit **P/N: MK 700 US**

- (2) MK 700 Mounting Brackets
- (8) 1/2-13 x 1.00" Socket Head Cap Screws
- (8) Internal Tooth Lock-Washers
- (1) SAE-6 Plug

UNC NPT Kit **P/N: MK 700 UN**

- (2) MK 700 Mounting Brackets
- (8) 1/2-13 x 1.00" Socket Head Cap Screws
- (8) Internal Tooth Lock-Washers
- (1) .250" NPTF Plug

UNC Kit **P/N: MK 700 U**

- (2) MK 700 Mounting Brackets
- (8) 1/2-13 x 1.00" Socket Head Cap Screws
- (8) Internal Tooth Lock-Washers

Metric Kit **P/N: MK 700 M**

- (2) MK 700 Mounting Brackets
- (8) M12x1.75 x 25mm Socket Head Cap Screws
- (8) Internal Tooth Lock-Washers

500 series

UNC SAE Kit **P/N: MK 500 US**

- (2) MK 500 Mounting Brackets
- (8) 3/8-16 x .875" Socket Head Cap Screws
- (8) Internal Tooth Lock-Washers
- (1) SAE-6 Plug

UNC NPT Kit **P/N: MK 500 UN**

- (2) MK 500 Mounting Brackets
- (8) 3/8-16 x .875" Socket Head Cap Screws
- (8) Internal Tooth Lock-Washers
- (1) .250" NPTF Plug

UNC Kit **P/N: MK 500 U**

- (2) MK 500 Mounting Brackets
- (8) 3/8-16 x .875" Socket Head Cap Screws
- (8) Internal Tooth Lock-Washers

Metric Kit **P/N: MK 500 M**

- (2) MK 500 Mounting Brackets
- (8) M10x1.50 x 20mm Socket Head Cap Screws
- (8) Internal Tooth Lock-Washers

900 series

UNC SAE Kit **P/N: MK 900 US**

- (2) MK 900 Mounting Brackets
- (12) 1/2-13 x 1.00" Socket Head Cap Screws
- (12) Internal Tooth Lock-Washers
- (1) SAE-6 Plug

UNC NPT Kit **P/N: MK 900 UN**

- (2) MK 900 Mounting Brackets
- (12) 1/2-13 x 1.00" Socket Head Cap Screws
- (12) Internal Tooth Lock-Washers
- (1) .250" NPTF Plug

UNC Kit **P/N: MK 900 U**

- (2) MK 900 Mounting Brackets
- (12) 1/2-13 x 1.00" Socket Head Cap Screws
- (12) Internal Tooth Lock-Washers

Metric Kit **P/N: MK 900 M**

- (2) MK 900 Mounting Brackets
- (12) M12x1.75 x 25mm Socket Head Cap Screws
- (12) Internal Tooth Lock-Washers

WE RESERVE THE RIGHT TO DISCONTINUE MODELS, OR CHANGE SPECIFICATIONS WITHOUT NOTICE OR INCURRING OBLIGATION

Lynch Products Can Be Modified to Suit Your Application

Phone: 1 (888) 626-4365 or +1 (905) 363-2400 Fax: 1 (800) 263-5807 www.lynch.ca sales@lynch.ca

Stud Nuts & Kits

Studkits for ISO 03, ISO 05, ISO 07, and ISO 08 Modules

To simplify the installation of ISO 03, ISO 05, ISO 07, and ISO 08 sandwiches, Lynch offers uncut (can be cut to length in the field) or precut studkits in both inch and metric standard threaded rod. Once the rods are installed in a subplate or manifold, they act as a guide in assembling the sandwich body stack. After the directional control valve is assembled on top of a stack, Lynch studnuts are used to retain the assembled stack.

The inch and metric studrods are both made of high tensile, fully threaded ASTM-A-193 Grade B material with the following mechanical properties:

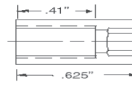
- 125,000 psi minimum tensile strength.
- 105,000 psi minimum yield point.
- 26 -32 Rc hardness.

The studnuts are special hex socket nuts with the following features:

- An outside diameter equivalent to a standard socket head cap screw.
- Full thread engagement as shown.
- Mechanical stop between the internal hex and the thread to prevent the hex wrench from being pushed out of its socket.

STUD NUTS

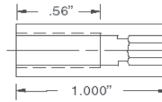
ISO 03



P/N 350 005 : 10-24 UNC Stud nut
5/32" Internal Hex Size

P/N 350 009 : M5x0.80 Stud nut
4 mm Internal Hex Size

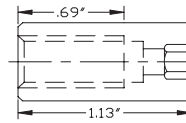
ISO 05 & 07



P/N 350 004 : 1/4"-20 UNC Stud nut
3/16" Internal Hex Size

P/N 350 008 : M6x1.00 Stud nut
5 mm Internal Hex Size

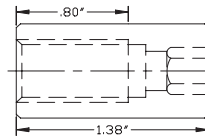
ISO 07



P/N 2000F03-02662 : 3/8"-16 UNC Stud nut
5/16" Internal Hex Size

P/N 2000F03-02663 : M10x1.50 Stud nut
8 mm Internal Hex Size

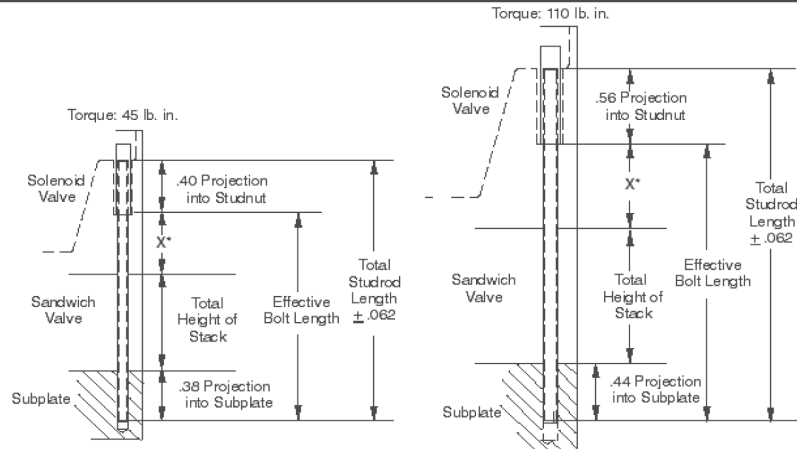
ISO 08



P/N 95F03-1256 : 1/2"-13 UNC Stud nut
3/8" Internal Hex Size

P/N 2000F03-02664 : M12x1.75 Stud nut
10 mm Internal Hex Size

STUDROD LENGTH DETERMINATION CHART



	ISO 03		ISO 05 and ISO 07 X,Y	
	Model	"X" inches*	Model	"X" inches*
Continental	EB03M	.625	VS12M	1.31
Continental	VS5M	.625	ED05M	1.31
Double A (Vickers)	Q*-3	1.56	Q*-5	1.05
Parker-Hannifin	D1VW	1.50	D3W	1.91
Racine Bosch	.25NG6	.87	1/4"	1.38
Rexroth	4WRA6	1.26	4WE10, 4WEH10	1.18
Dynex/Rivett	6500 Series 03	.44	6500-02	.38
Vickers/40	DG4V	1.56	DG4S4	1.05
Vickers/60	DG4V	.83	DG4V5	1.18
Nachi 1	SSG01	1.44	SSG03,E10,E20	2.38

* The X dimension was accurate as of the publication date of this catalog. Verify in the applicable manufacturers literature.

WE RESERVE THE RIGHT TO DISCONTINUE MODELS, OR CHANGE SPECIFICATIONS WITHOUT NOTICE OR INCURRING OBLIGATION

Lynch Products Can Be Modified to Suit Your Application

Phone: 1 (888) 626-4365 or +1 (905) 363-2400 Fax: 1 (800) 263-5807 www.lynch.ca sales@lynch.ca

Stud Nuts & Kits - ISO 03, ISO 05

Inch Standards

Kit # 992 011

(4) 10-24 Studnuts and
 (4) approximately 7" long 10-24 studrods

Kit # 992 012

(4) 10-24 Studnuts and
 (4) approximately 12" long 10-24 studrods

Kit # 992 013

(50) 10-24 Studnuts and
 (10) approximately 36" long 10-24 studrods

Kit # 992 550

(50) 10-24 Studnuts only

Kit # 992 650 x (customer specified length in inches)

(4) 10-24 Studnuts and
 (4) 10-24 studrods cut to customer specified length (+ .062")

Metric Standards

Kit # 992 111

(4) M5 Studnuts and
 (4) approximately 7" long M5 studrods

Kit # 992 112

(4) M5 Studnuts and
 (4) approximately 12" long M5 studrods

Kit # 992 113

(50) M5 Studnuts and
 (10) approximately 36" long M5 studrods

Kit # 992 750

(50) M5 Studnuts only

Kit # 992 850 x (customer specified length in inches)

(4) M5 Studnuts and
 (4) M5 studrods cut to customer specified length (+ .062")

ISO 05 STUDKITS

Recommended Torque - 105-110 lb.in.

Inch Standards

Kit # 992 001

(4) 1/4"-20 Studnuts and
 (4) approximately 7" long 1/4"-20 studrods

Kit # 992 002

(4) 1/4"-20 Studnuts and
 (4) approximately 12" long 1/4"-20 studrods

Kit # 992 003

(50) 1/4"-20 Studnuts and
 (10) approximately 36" long 1/4"-20 studrods

Kit # 992 500

(50) 1/4"-20 Studnuts only

Metric Standards

Kit # 992 101

(4) M6 Studnuts and
 (4) approximately 7" long M6 studrods

Kit # 992 102

(4) M6 Studnuts and
 (4) approximately 12" long M6 studrods

Kit # 992 103

(50) M6 Studnuts and
 (10) approximately 36" long M6 studrods

Kit # 992 700

(50) M6 Studnuts only

WE RESERVE THE RIGHT TO DISCONTINUE MODELS, OR CHANGE SPECIFICATIONS WITHOUT NOTICE OR INCURRING OBLIGATION

Lynch Products Can Be Modified to Suit Your Application

Phone: 1 (888) 626-4365 or +1 (905) 363-2400 Fax: 1 (800) 263-5807 www.lynch.ca sales@lynch.ca

Stud Nuts & Kits - ISO 07, ISO 08

ISO 07 STUDKITS

Recommended Torque (1/4"-20 & M6) - 105-110 lb.in. and (3/8"-16 & M10) - 300-360 lb.in.

Inch Standards

Part # 992 3/8"-16X36"LG

(1) 36" long 3/8"-16 studrod (singles)

Part # 992 1/4"-20X36"LG

(1) 36" long 1/4"-20 studrod (singles)

Part # 2000F03-02662

(1) 3/8"-16 Studnut

Part # 350 004

(1) 1/4"-20 Studnut

Kit # MM38160

(4) 3/8"-16 Studnut and (2) 1/4"-20 Studnut

Kit # MM38161

(50) 3/8"-16 Studnut and (25) 1/4"-20 Studnut

Kit # MM38162

(50) 3/8"-16 Studnut

Kit # 992 500

(50) 1/4"-20 Studnut

Kit # MM38163

(50) 3/8"-16 Studnut and (25) 1/4"-20 Studnut
(10) 3/8"-16 Studrod and (5) 1/4"-20 Studrod

Metric Standards

Part # 992 M10 X36"LG

(1) 36" M10 Studrod

Part # 992 M6 X36"LG

(1) 36" M6 Studrod

Part # 2000F03-02663

(1) M10 Studnut

Part # 350 008

(1) M6 Studnut

Kit # MM38166

(4) M10 Studnuts and (2) M6 Studnuts

Kit # MM38167

(50) M10 Studnuts and (25) M6 Studnuts

Kit # MM38168

(50) M10 Studnuts

Kit # 992 700

(50) M6 Studnuts

Kit # MM38169

(50) M10 Studnuts and (25) M6 Studnuts
(10) M10 Studrods and (5) M6 Studrods

ISO 08 STUDKITS

Recommended Torque - 520 - 608 lb.in.

Inch Standards

Part # 992 1/2"-13x36" LG

(1) 36" long 1/2"-13 studrod (singles)

Part # 95F03-1256

(1) 1/2"-13 studnuts only (singles)

Kit # MM12131

(6) 1/2"-13 studnuts only

Kit # MM12132

(24) 1/2"-13 studnuts only

Kit # MM12133

(50) 1/2"-13 studnuts only

Kit # MM12130

(25) 1/2"-13 studnuts and
(6) 36" long 1/2"-13 studrods

Metric Standards

Part # 992 M12 X36"LG

(1) 36" M12 Studrod

Part # 2000F03-02664

(1) M12 Studnut

Kit # MM12137

(6) M12 Studnuts

Kit # MM12138

(24) M12 Studnuts

Kit # MM12139

(50) M12 Studnuts

Kit # MM12136

(25) M12 Studnuts and
(6) approximately 36" long M12 Studrods

WE RESERVE THE RIGHT TO DISCONTINUE MODELS, OR CHANGE SPECIFICATIONS WITHOUT NOTICE OR INCURRING OBLIGATION

Lynch Products Can Be Modified to Suit Your Application

Phone: 1 (888) 626-4365 or +1 (905) 363-2400 Fax: 1 (800) 263-5807 www.lynch.ca sales@lynch.ca

Adjustable Snubbers, Gauge Port Adapters, Line Fuses

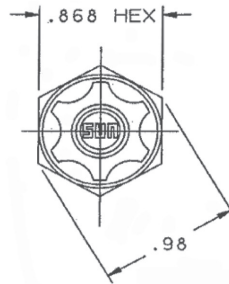
Adjustable gauge snubbers are throttling and shut-off devices used to isolate and protect hydraulic gauges from line pressure and gauge pointer pulsations.

Adjustable Snubbers (inline)			
Male to Female			
Male	Female	Part Number	L
SAE 4	.250 NPTF	NSAB-KXV-AS	2.07
.250 NPTF	.250 NPTF	NSAB-KXV-BA	1.81
.250 BSPP	.250 BSPP	NSAB-KXV-BT	1.81
SAE 4	SAE 4	NSAB-KXV-HS	2.07
.250 NPTF	.250 BSPP	NSAB-KXV-TA	1.81

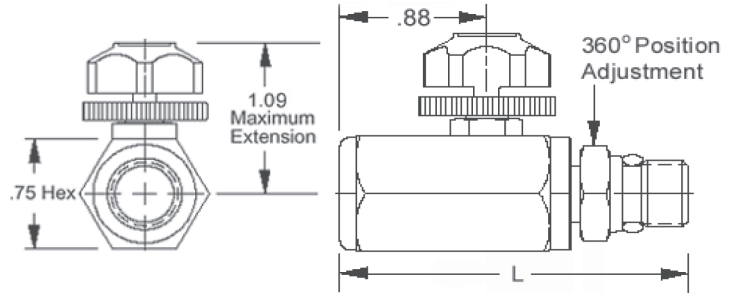
Adjustable Snubber (Sun T-8A Cartridge Style)

NOTES:

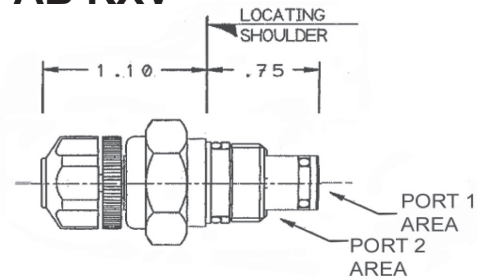
- 1) Installation torque: 25-30 ft-lb.
- 2) Both ports may be pressurized to 5000psi.
- 3) Effective orifice size: .035 dia. Nominal.
- 4) Leakage at shut off: less than 5 drops/min.
- 5) Materials:
Cartridge: 303 & 416 stainless,
Knobs: glass-filled nylon.
- 6) Seals: Viton.



NSAB KXV **



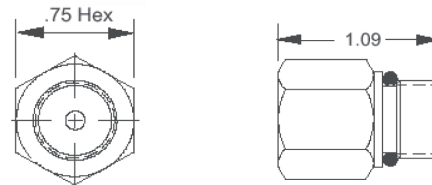
NFAB KXV



Gauge adaptors offer system flexibility by allowing the mounting of gauges with different port configurations than those in a body or manifold.

Gauge Port Adaptors		
Male	Female	Part Number
SAE 4	.250 BSPP	NSAC-XAV-TH
SAE 6	.250 BSPP	NSAC-XAV-TI
.250 NPTF	.250 BSPP	NSAC-XAX-TA
.250 NPTF	SAE 4	MM12150
SAE 6	.250 NPTF	MM12152
SAE 6	SAE 4	MM12151
SAE 4	.250 NPTF	MM12153

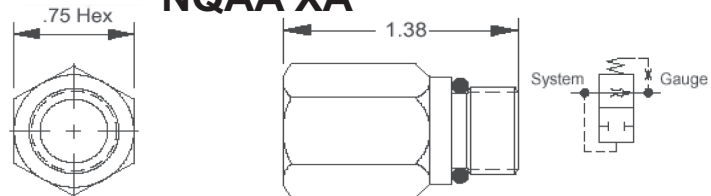
NSAC XA* **



Gauge line fuses protect systems from loss of oil if a gauge or signal line breaks. If hex breaks off the line fuse will continue to perform its function because working parts are located inside the port when in use.
1.0 GPM actuation flow.

Gauge Line Fuses		
Male	Female	Part Number
SAE 6	.250 NPTF	NQAA-XAN-AI
.250 NPTF	.250 NPTF	NQAA-XAX-AA

NQAA XA* **





Index

Technical Information

Material Properties..... 11.01.01
Solenoid Valve Interfaces
ISO02, ISO03, ISO05, ISO05 w/X&Y U.S..... 11.02.01
ISO05 w/X&Y European, ISO07 w/X&Y, ISO08 w/X&Y, ISO10 w/X&Y..... 11.02.02
ISO 6162 (SAE) Flange Specifications..... 11.03.01
General Port Specifications 11.03.02

WE RESERVE THE RIGHT TO DISCONTINUE MODELS, OR CHANGE SPECIFICATIONS WITHOUT NOTICE OR INCURRING OBLIGATION

Lynch Products Can Be Modified to Suit Your Application

Phone: 1 (888) 626-4365 or + 1 (905) 363-2400 Fax: 1 (800) 263-5807 www.lynch.ca sales@lynch.ca

Material Properties

Bar Manifolds and Accessories are offered in the following standard materials; 6061-T6 Aluminum, 65-45-12 Continuous Cast Ductile Iron and C12L14 free machining steel.

Other materials such as Stainless Steel, Mild Steel, Brass, and Plastic are available upon request. Below, are the properties of the standard materials:

For its aluminum bodies, a 6000 series aluminum alloy that offers high strength characteristics and good corrosion resistance in the finished product is used. The mechanical properties of grade 6061-T6 aluminum are:

ALUMINUM PROPERTIES PROPERTIES	ASTM B-221 ** Grade 6061-T6
Tensile Strength	45,000 PSI
Yield Strength	40,000 PSI
Elongation, %	12%
Brinell Hardness Range	95
ASTM Specification	B-221

**Above material is rated at 3000 psi max, depending on duty cycle and design parameters.

We use a ductile iron that offers high tensile strength and good ductility for its iron bodies. All ductile iron bodies use iron produced by the continuous cast method which provides a body that possesses a dense, homogeneous structure with minimal inclusions for high pressure integrity. The mechanical properties of grade 65-45-12 ductile iron are:

DUCTILE IRON PROPERTIES	ASTM A-536 ** Grade 65-45-12
Tensile Strength	65,000 PSI
Yield Strength	45,000 PSI
Elongation, %	12%
Brinell Hardness Range	131/220
ASTM Specification	A-536

**Above material is rated at 5000 psi max, depending on duty cycle and design parameters.

Where applicable, a free machining grade of steel is used on select bodies. The mechanical properties of this material are equal to or greater than ductile iron. The mechanical properties of grade C12L14 are:

FREE MACHINING STEEL PROPERTIES	ASTM A-108 ** Grade C12L14
Tensile Strength	78,000 PSI
Yield Strength	70,000 PSI
Elongation, %	15%
Brinell Hardness Range	163
ASTM Specification	A-108

**Above material is rated at 5000 psi max, depending on duty cycle and design parameters.

THIS DATA IS FOR REFERENCE ONLY. CONSULT THE APPROPRIATE STANDARDS FOR CRITICAL DIMENSIONS AND RATINGS.

WE RESERVE THE RIGHT TO DISCONTINUE MODELS, OR CHANGE SPECIFICATIONS WITHOUT NOTICE OR INCURRING OBLIGATION

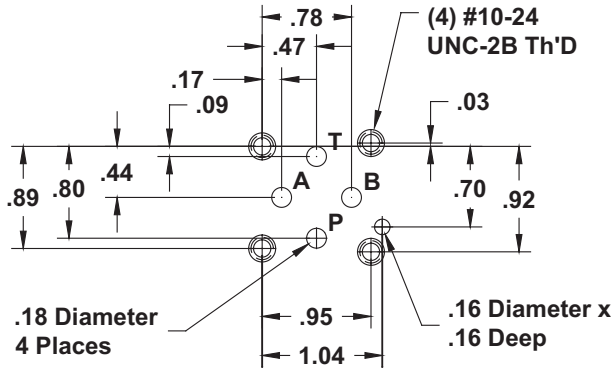
Lynch Products Can Be Modified to Suit Your Application

Phone: 1 (888) 626-4365 or +1 (905) 363-2400 Fax: 1 (800) 263-5807 www.lynch.ca sales@lynch.ca

Solenoid Valve Interfaces

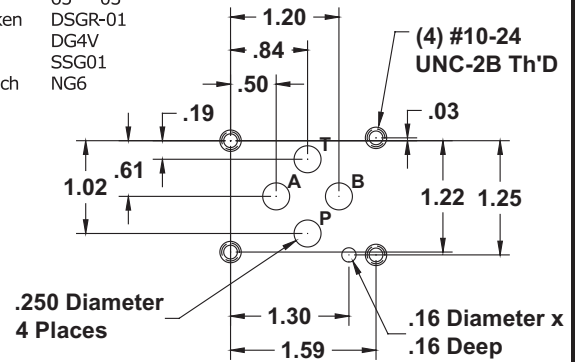
ISO 02 / NFPA D02

Valve Models
Wandfluh WD



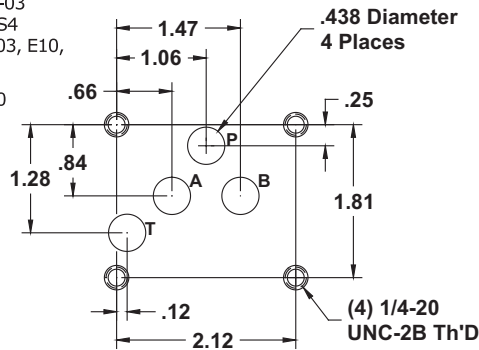
ISO 03 / NFPA D03

Valve Models
Continental VS5M, ED03M
Delta Series 4000
Denison A-3D01, D2D02-35
Double A Q* - 3
Parker Hannifin D1VW
Racine .25"
Rexroth WE6, 4WRA6
Rivett 65**-.03
Rucker/Yuken DSGR-01
Vickers DG4V
Nachi SSG01
Racine-Bosch NG6



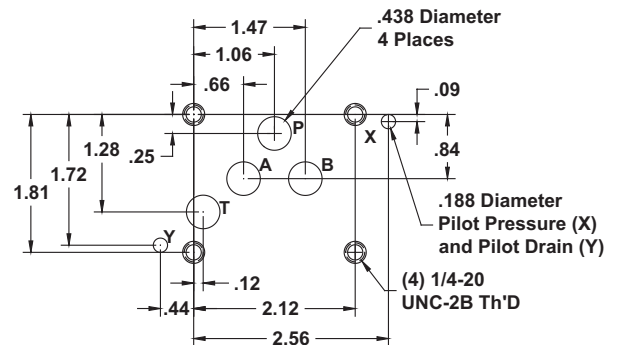
ISO 05 / NFPA D05

Valve Models
Continental VS12M, ED05M
Denison DID04, 3D02, A-D2D04
Double A Q* - 5
Parker Hannifin D3W
Racine .25"
Rexroth WE8, WE10
Rivett 65**-.02
Rucker/Yuken DSG-03
Vickers DG4S4
Nachi SSG03, E10, E20
Racine-Bosch NG10



ISO 05 / D05 with X and Y U.S.

Valve Models
Double A Q* - 02H
Parker Hannifin D31VW
Racine FD4-***HS-*.02
Rivett 6600-02H
Racine-Bosch NG10



THIS DATA IS FOR REFERENCE ONLY. CONSULT THE APPROPRIATE STANDARDS FOR CRITICAL DIMENSIONS AND RATINGS.

WE RESERVE THE RIGHT TO DISCONTINUE MODELS, OR CHANGE SPECIFICATIONS WITHOUT NOTICE OR INCURRING OBLIGATION

Lynch Products Can Be Modified to Suit Your Application

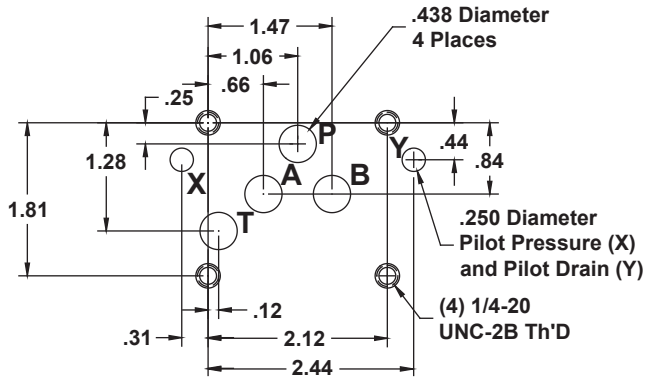
Phone: 1 (888) 626-4365 or +1 (905) 363-2400 Fax: 1 (800) 263-5807 www.lynch.ca sales@lynch.ca

Solenoid Valve Interfaces

ISO 05 / D05 with X and Y European

Valve Models
Rexroth

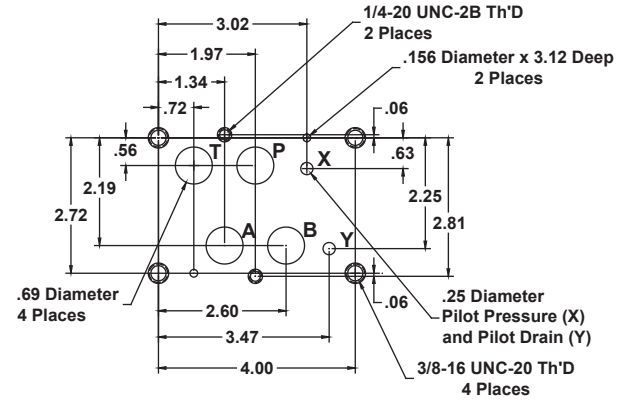
WEH10



ISO 07 / NFPA D07 with X and Y

Valve Models

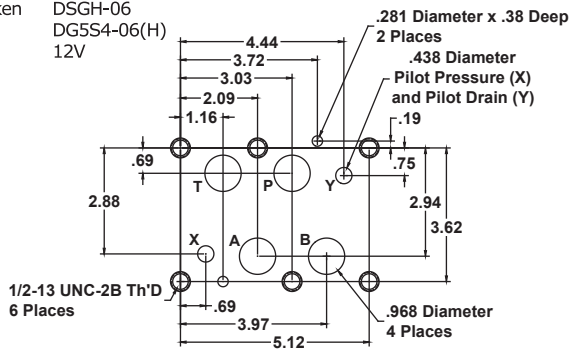
Denison A-3D03
Rexroth WEH16
Rucker/Yuken DSHG-04
Vickers DG5S4-04



ISO 08 / NFPA D08 with X and Y

Valve Models

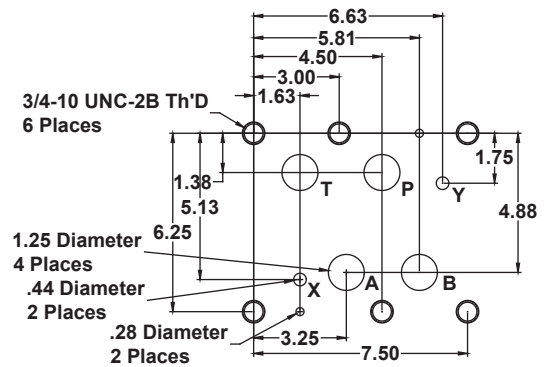
Continental VS35M, VA35M, DVS35M
Denison A-3D06, DID12
Double A Q* - 06
Parker Hannifin D61VW, D63W
Racine FD4-(A or B) *HS-*06
Rexroth WEH22
Rivett 6600-06
Rucker/Yuken DSGH-06
Vickers DG5S4-06(H)
Webster 12V



ISO 10 / NFPA D10 with X and Y

Valve Models

Denison A-3D10
Parker Hannifin D10, D101VW
Rexroth WEH 32
Vickers DG5S4-10



THIS DATA IS FOR REFERENCE ONLY. CONSULT THE APPROPRIATE STANDARDS FOR CRITICAL DIMENSIONS AND RATINGS.

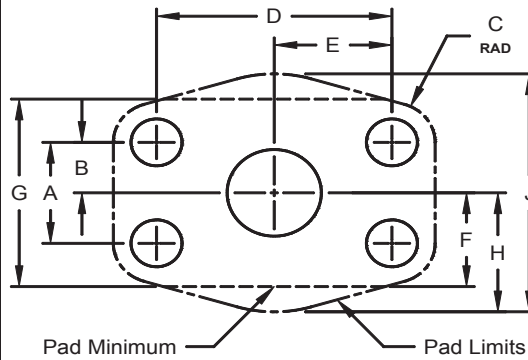
WE RESERVE THE RIGHT TO DISCONTINUE MODELS, OR CHANGE SPECIFICATIONS WITHOUT NOTICE OR INCURRING OBLIGATION

Lynch Products Can Be Modified to Suit Your Application

Phone: 1 (888) 626-4365 or +1 (905) 363-2400 Fax: 1 (800) 263-5807 www.lynch.ca sales@lynch.ca

ISO 6162 (SAE) Flange Pattern Specifications

2.5 to 35 Mpa Series (SAE Code 61)				
Nominal Flange Size		Maximum Recommended Working Press.	O-Ring Size	O-Ring O.D.
1/2"	13 mm	5000 psi	210	1.000
3/4"	19 mm	5000 psi	214	1.250
1"	25 mm	5000 psi	219	1.562
1 1/4"	32 mm	3625 psi	222	1.750
1 1/2"	38 mm	2900 psi	225	2.125
2"	51 mm	2900 psi	228	2.500
2 1/2"	64mm	2320 psi	232	3.000
3"	76mm	1450 psi	237	3.625
3 1/2"	89mm	360 psi	241	4.125
4"	102mm	360 psi	245	4.625
5"	127mm	360 psi	253	5.625



40 Mpa Series (SAE Code 62)				
Nominal Flange Size		Maximum Recommended Working Press.	O-Ring Size	O-Ring O.D.
1/2"	13 mm	5800 psi	210	1.000
3/4"	19 mm	5800 psi	214	1.250
1"	25 mm	5800 psi	219	1.562
1 1/4"	32 mm	5800 psi	222	1.750
1 1/2"	38 mm	5800 psi	225	2.125
2"	51 mm	5800 psi	228	2.500
2 1/2"	64mm	Contact Mfr	232	3.000
3"	76mm	Contact Mfr	237	3.625

NOTE:
(+) = NOT A RECOMMENDED PORT since this is an Industry Standard not an ISO or SAE Standard

This specification permits operation of the port up to the pressures noted. Some flanges that match these ports may be rated for lower operating pressures or limited by the mating materials.

Please consult the data from the flange manufacturers for specific operational pressures allowed.

2.5 to 34.5 Mpa Series (SAE Code 61)										40 Mpa Series (SAE Code 62)									
Four-Bolt Flange Pattern										Four-Bolt Flange Pattern									
Nominal Size	A	B	C	D	E	F	G	H	J	Nominal Size	A	B	C	D	E	F	G	H	J
	+/- .010			+/- .010					+/- .010		+/- .010			+/- .010					+/- .010
0.50	0.688	0.344	0.312	1.500	0.750	0.656	1.312	0.906	1.812	0.50	0.719	0.360	0.312	1.594	0.797	0.750	1.500	0.938	1.875
0.75	0.875	0.438	0.344	1.875	0.938	0.813	1.625	1.031	2.062	0.75	0.938	0.469	0.406	2.000	1.000	0.938	1.875	1.188	2.375
1.00	1.031	0.516	0.344	2.062	1.031	0.938	1.875	1.156	2.312	1.00	1.094	0.547	0.469	2.250	1.125	1.062	2.125	1.375	2.750
1.25	1.188	0.594	0.406	2.312	1.156	1.063	2.125	1.438	2.875	1.25	1.250	0.625	0.562	2.625	1.312	1.188	2.375	1.531	3.062
1.50	1.406	0.703	0.469	2.750	1.375	1.250	2.500	1.625	3.250	1.50	1.438	0.719	0.656	3.125	1.562	1.375	2.750	1.875	3.750
2.00	1.688	0.844	0.469	3.062	1.531	1.500	3.000	1.906	3.812	2.00	1.750	0.875	0.719	3.812	1.906	1.688	3.375	2.250	4.500
2.50	2.000	1.000	0.500	3.500	1.750	1.750	3.500	2.109	4.218	2.50 (+)	2.312	1.156	1.000	4.875	2.438	2.188	4.375	2.938	5.875
3.00	2.438	1.219	0.562	4.188	2.094	2.094	4.188	2.578	5.156	3.00 (+)	2.812	1.406	1.250	6.000	3.000	2.688	5.375	3.500	7.000
3.50	2.750	1.375	0.625	4.750	2.375	2.344	4.688	2.750	5.500										
4.00	3.062	1.531	0.625	5.125	2.563	2.594	5.188	3.000	6.000										
5.00	3.625	1.813	0.625	6.000	3.000	3.094	6.188	3.563	7.125										

ISO 6162 Type I - Metric Mounting Dimensions				
Nominal Size	Thru Hole Diameter	Mounting Thread	Mtg. Thread Depth (min)*	Counterbore Diameter
0.50	0.344	M 8x1.25-6H	0.938 / (0.492)	0.562
0.75	0.422	M10x1.50-6H	0.875 / (0.650)	0.688
1.00	0.422	M10x1.50-6H	0.875 / (0.571)	0.688
1.25	0.422	M10x1.50-6H	1.125 / (0.650)	0.688
1.50	0.500	M12x1.75-6H	1.062 / (0.768)	0.750
2.00	0.500	M12x1.75-6H	1.062 / (0.768)	0.750
2.50	0.500	M12x1.75-6H	1.188 / (0.846)	0.750
3.00	0.656	M16x2.00-6H	1.188 / (1.122)	1.000
3.50	0.656	M16x2.00-6H	1.312 / (1.122)	1.000
4.00	0.656	M16x2.00-6H	1.188 / (1.004)	1.000
5.00	0.656	M16x2.00-6H	1.312 / (1.083)	1.000

ISO 6162 Type I - Metric Mounting Dimensions				
Nominal Size	Thru Hole Diameter	Mounting Thread	Mtg. Thread Depth (min)*	Counterbore Diameter
0.50	0.344	M 8x1.25-6H	0.812 / (0.571)	0.562
0.75	0.422	M10x1.50-6H	0.938 / (0.650)	0.688
1.00	0.500	M12x1.75-6H	1.062 / (0.846)	0.750
1.25	0.500	M12x1.75-6H	1.000 / (0.728)	0.750
1.50	0.656	M16x2.00-6H	1.375 / (1.004)	1.000
2.00	0.812	M20x2.50-6H	1.500 / (1.319)	1.250
2.50				
3.00				

* = Design Depth per SAE J518 / (ISO 6162 Depth)

* = Design Depth per SAE J518 / (ISO 6162 Depth)

SAE J518 / ISO 6162 Type II - Inch Mounting Dimensions				
Nominal Size	Thru Hole Diameter	Mounting Thread	Mtg. Thread Depth	Counterbore Diameter
0.50	0.344	5/16-18 UNC-2B	0.938	0.500
0.75	0.406	3/8-16 UNC-2B	0.875	0.594
1.00	0.406	3/8-16 UNC-2B	0.875	0.594
1.25	0.469	7/16-14 UNC-2B	1.125	0.688
1.50	0.531	1/2-13 UNC-2B	1.062	0.781
2.00	0.531	1/2-13 UNC-2B	1.062	0.781
2.50	0.531	1/2-13 UNC-2B	1.188	0.781
3.00	0.656	5/8-11 UNC-2B	1.188	0.969
3.50	0.656	5/8-11 UNC-2B	1.312	0.969
4.00	0.656	5/8-11 UNC-2B	1.188	0.969
5.00	0.656	5/8-11 UNC-2B	1.312	0.969

SAE J518 / ISO 6162 Type II - Inch Mounting Dimensions				
Nominal Size	Thru Hole Diameter	Mounting Thread	Mtg. Thread Depth	Counterbore Diameter
0.50	0.344	5/16-18 UNC-2B	0.812	0.500
0.75	0.406	3/8-16 UNC-2B	0.938	0.590
1.00	0.469	7/16-14 UNC-2B	1.062	0.688
1.25	0.531	1/2-13 UNC-2B	1.000	0.781
1.50	0.656	5/8-11 UNC-2B	1.375	0.969
2.00	0.781	3/4-10 UNC-2B	1.500	1.188
2.50 (+)	0.906	7/8-9 UNC-2B	1.812	1.375
3.00 (+)	1.188	1 1/8-7 UNC-2B	2.312	1.750

THIS DATA IS FOR REFERENCE ONLY. CONSULT THE APPROPRIATE STANDARDS AND FLANGE MANUFACTURERS FOR CRITICAL DIMENSIONS AND RATINGS.

WE RESERVE THE RIGHT TO DISCONTINUE MODELS, OR CHANGE SPECIFICATIONS WITHOUT NOTICE OR INCURRING OBLIGATION

Lynch Products Can Be Modified to Suit Your Application

Phone: 1 (888) 626-4365 or +1 (905) 363-2400 Fax: 1 (800) 263-5807 www.lynch.ca sales@lynch.ca

General Port Specifications

SAE PORTS	Per ISO 11926-1 & SAE J1926-1						
	THREAD	D1 (min)	D2 ±0.002	L2 +0/0.015	L3 (min)	L4 (min)	Z ±1°
-4	7/16" - 20	0.827	0.488	0.094	0.453	0.547	12°
-6	9/16" - 18	0.984	0.614	0.098	0.500	0.609	12°
-8	3/4" - 16	1.181	0.811	0.098	0.563	0.688	15°
-10	7/8" - 14	1.339	0.941	0.098	0.657	0.781	15°
-12	1 1/16" - 12	1.614	1.150	0.130	0.750	0.906	15°
-16	1 5/16" - 12	1.929	1.398	0.130	0.750	0.906	15°
-20	1 5/8" - 12	2.283	1.713	0.130	0.750	0.906	15°
-24	1 7/8" - 12	2.559	1.961	0.130	0.750	0.906	15°
-32	2 1/2" - 12	3.465	2.587	0.130	0.750	0.906	15°

NPT PORTS	Per SAE J476 & ANSI B1.20.3			
	THREAD	D2	L3	L4
1/16"	1/16" - 27	0.32	0.31	0.38
1/8"	1/8" - 27	0.42	0.31	0.38
1/4"	1/4" - 18	0.55	0.44	0.47
3/8"	3/8" - 18	0.69	0.47	0.53
1/2"	1/2" - 14	0.85	0.59	0.69
3/4"	3/4" - 14	1.06	0.63	0.75
1"	1" - 11.5	1.34	0.75	0.84
1 1/4"	1 1/4" - 11.5	1.68	0.78	0.84
1 1/2"	1 1/2" - 11.5	1.92	0.81	0.88
2"	2" - 11.5	2.39	0.81	0.91

BSPP PORTS	Per ISO 1179-1 & BS 2779				
	THREAD	D1 (min)	D2	L3 (min)	L4 (min)
1/4"	G 1/4" - 19	0.846	0.524	0.472	0.625
3/8"	G 3/8" - 19	1.004	0.661	0.472	0.625
1/2"	G 1/2" - 14	1.181	0.835	0.551	0.748
3/4"	G 3/4" - 14	1.437	1.047	0.630	0.906
1"	G 1" - 11	1.811	1.319	0.709	1.024
1 1/4"	G 1 1/4" - 11	2.244	1.661	0.787	1.142
1 1/2"	G 1 1/2" - 11	2.500	1.894	0.866	1.142

BSPT PORTS	Per ISO 7			
	THREAD	D2	L3	L4
1/4"	1/4" - 19	0.55	0.44	0.47
3/8"	3/8" - 19	0.69	0.47	0.53
1/2"	1/2" - 14	0.85	0.59	0.69
3/4"	3/4" - 14	1.06	0.63	0.75
1"	1" - 11	1.34	0.75	0.84
1 1/4"	1 1/4" - 11	1.68	0.78	0.84
1 1/2"	1 1/2" - 11	1.92	0.81	0.88

METRIC PORTS	Per ISO 6149-1							
	THREAD	D1 (min)	D2 ±0.004	D3 (min)	L2 +0/0.015	L3 (min)	L4 (min)	Z ±1°
M10	M10 x 1.0	0.787	0.437	0.630	0.063	0.393	0.453	12°
M14	M14 x 1.5	0.984	0.622	0.827	0.094	0.453	0.551	15°
M18	M18 x 1.5	1.181	0.780	1.024	0.094	0.571	0.669	15°
M22	M22 x 1.5	1.339	0.937	1.142	0.094	0.610	0.709	15°
M27	M27 x 2.0	1.575	1.157	1.339	0.125	0.748	0.866	15°
M33	M33 x 2.0	1.929	1.393	1.693	0.125	0.748	0.866	15°
M42	M42 x 2.0	2.362	1.750	2.047	0.125	0.768	0.886	15°
M48	M48 x 2.0	2.598	1.984	2.244	0.125	0.866	0.984	15°

Notes:

- 1) For Metric Ports, D1 Spotface for ports with identification ridge as shown by dimension D3.
- 2) For Metric Ports, when identification ridge is not machined, port must be stamped as "Metric" or component must be stamped "ISO 6149-1 Metric"
- 3) For all Port Types, L4 tap drill depth for L3 full thread depth requires the use of a bottoming tap.

THIS DATA IS FOR REFERENCE ONLY. CONSULT THE APPROPRIATE STANDARDS FOR CRITICAL DIMENSIONS AND RATINGS.

WE RESERVE THE RIGHT TO DISCONTINUE MODELS, OR CHANGE SPECIFICATIONS WITHOUT NOTICE OR INCURRING OBLIGATION

Lynch Products Can Be Modified to Suit Your Application

Phone: 1 (888) 626-4365 or +1 (905) 363-2400 Fax: 1 (800) 263-5807 www.lynch.ca sales@lynch.ca