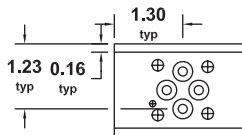
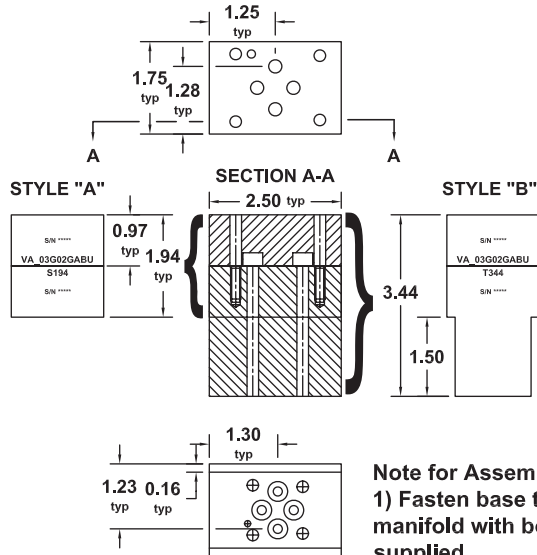
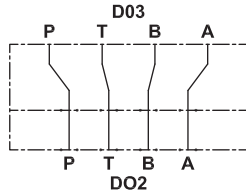


D02 to D03 - Valve Adapters - D03 to D02

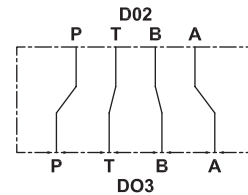
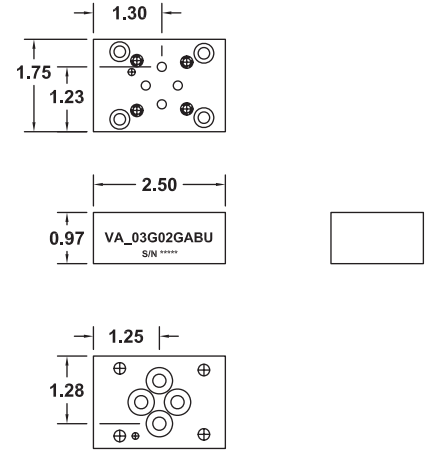
VA_02G03GAB*A194 / VA_02G03GAB*B344



Note for Assembly:
1) Fasten base to D02 manifold with bolts supplied.
2) D03 Threads begin at 0.97" depth from interface surface.



VA_03G02GAB*



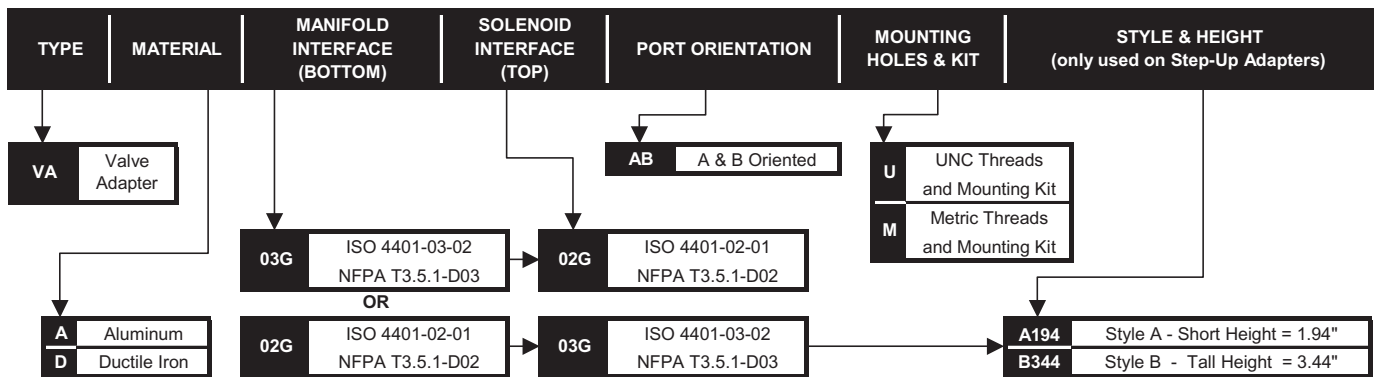
UNC mounting kit includes:
4 - #10-24 x 1.50" SHCS
or
4 - #10-24 x 3.00" SHCS
8 - O10 O-ring viton
2 - Split Pin

Metric mounting kit includes:
4 - M5 x 0.80 x 35mm SHCS
or
4 - M5 x 0.80 x 70mm SHCS
8 - O10 O-ring viton
2 - Split Pin

UNC mounting kit includes:
4 - #10-24 x 1.00" SHCS
4 - O12 O-ring viton
1 - Split Pin

Metric mounting kit includes:
4 - M5 x 0.80 x 25mm SHCS
4 - O12 O-ring viton
1 - Split Pin

PART NUMBER SYSTEM



WE RESERVE THE RIGHT TO DISCONTINUE MODELS, OR CHANGE SPECIFICATIONS WITHOUT NOTICE OR INCURRING OBLIGATION

Lynch Products Can Be Modified to Suit Your Application

Phone: 1 (888) 626-4365 or +1 (905) 363-2400 Fax: 1 (800) 263-5807 www.lynch.ca sales@lynch.ca