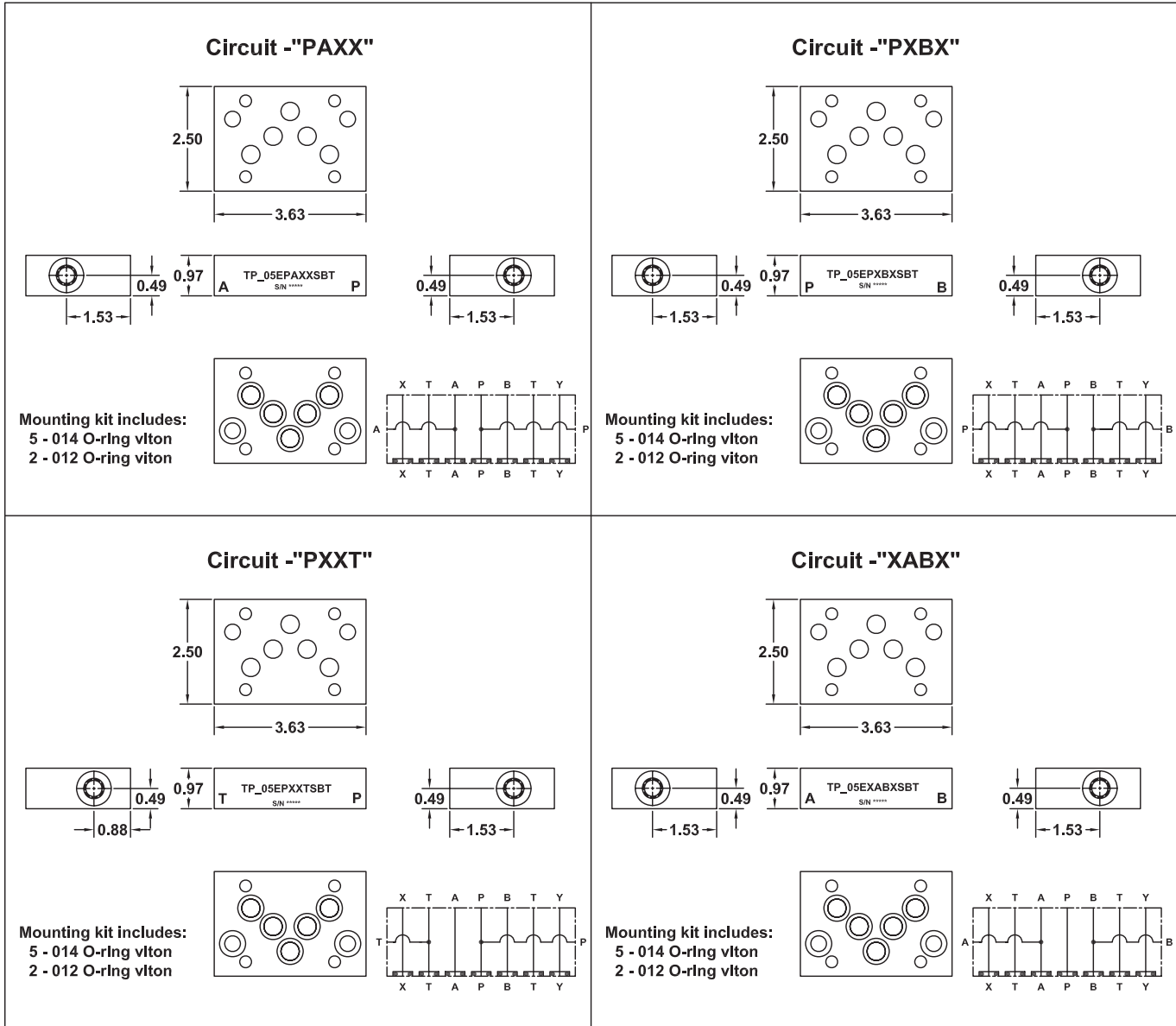
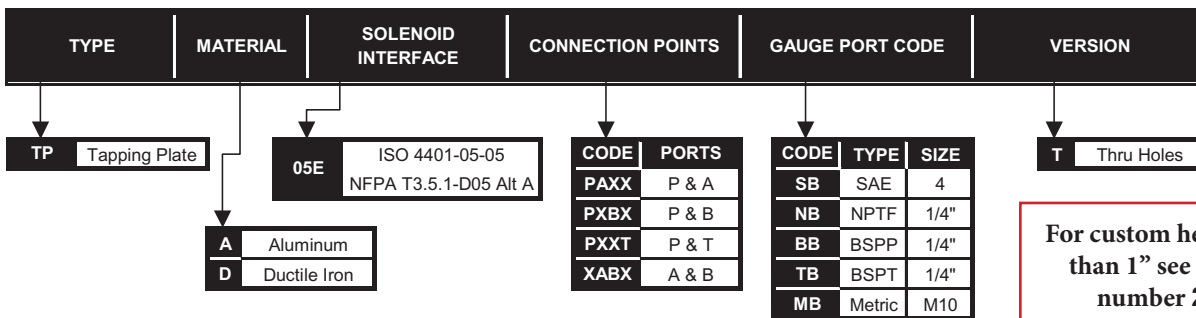


D05HE Tapping Plates



PART NUMBER SYSTEM

Aluminum D05HE Tapping Plate with SAE 4 Gauge Ports on A & B Example : TPA05EXABXSBT



WE RESERVE THE RIGHT TO DISCONTINUE MODELS, OR CHANGE SPECIFICATIONS WITHOUT NOTICE OR INCURRING OBLIGATION

Lynch Products Can Be Modified to Suit Your Application

Phone: 1 (888) 626-4365 or +1 (905) 363-2400 Fax: 1 (800) 263-5807 www.lynch.ca sales@lynch.ca