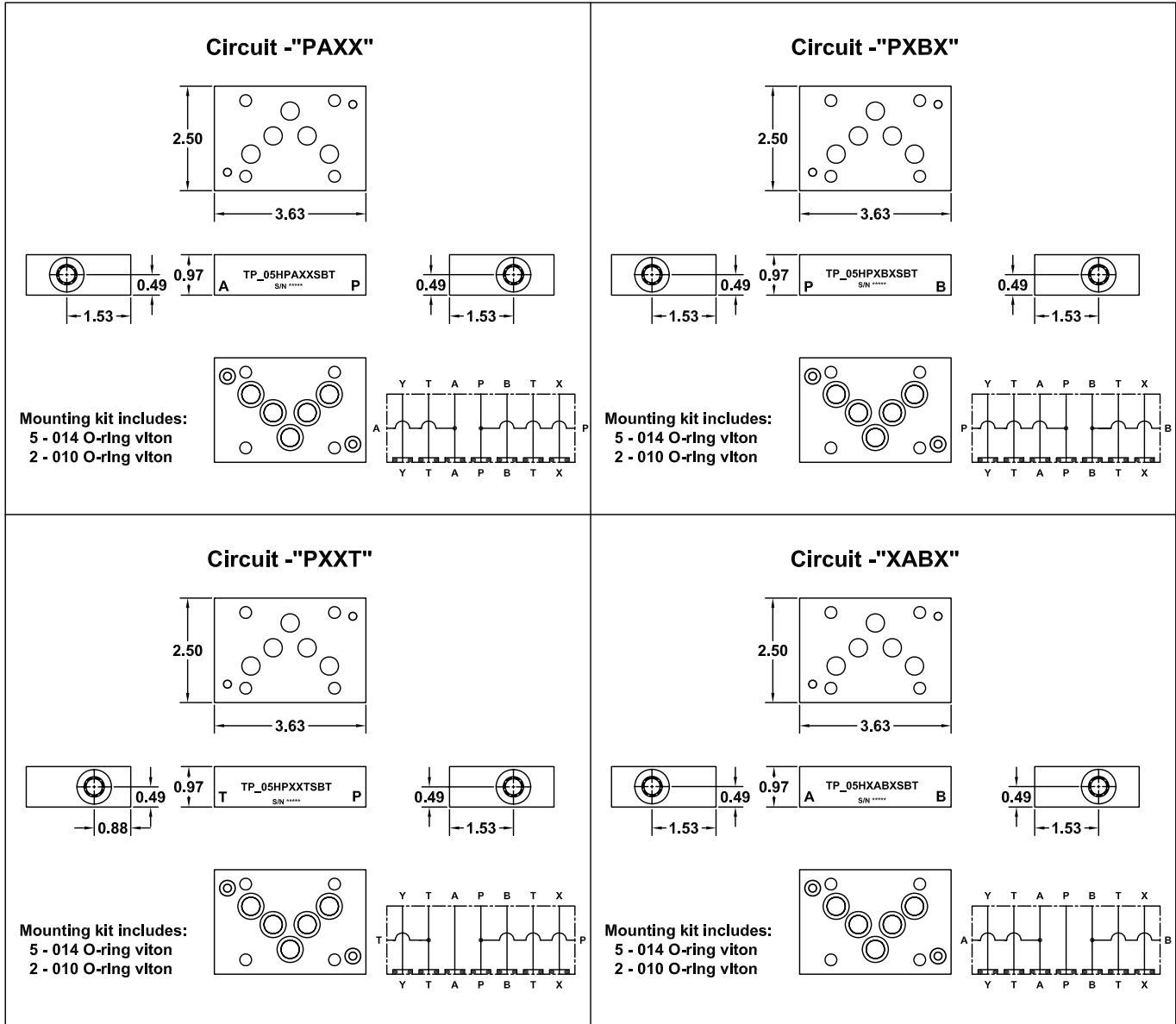
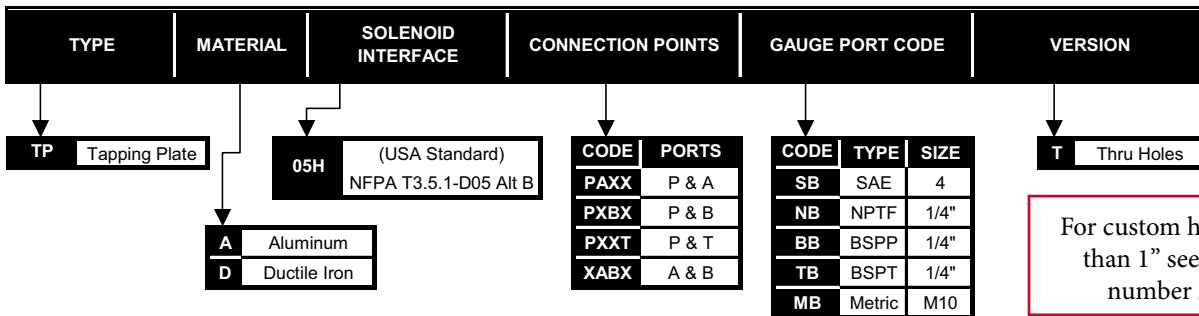


D05H Tapping Plates



PART NUMBER SYSTEM

Aluminum D05H Tapping Plate with SAE 4 Gauge Ports on A & B Example : **TPA05HXABXSBT**



For custom height greater than 1" see data sheet number **2.99.01**

WE RESERVE THE RIGHT TO DISCONTINUE MODELS, OR CHANGE SPECIFICATIONS WITHOUT NOTICE OR INCURRING OBLIGATION

Lynch Products Can Be Modified to Suit Your Application

Phone: 1 (888) 626-4365 or +1 (905) 363-2400 Fax: 1 (800) 263-5807 www.lynch.ca sales@lynch.ca