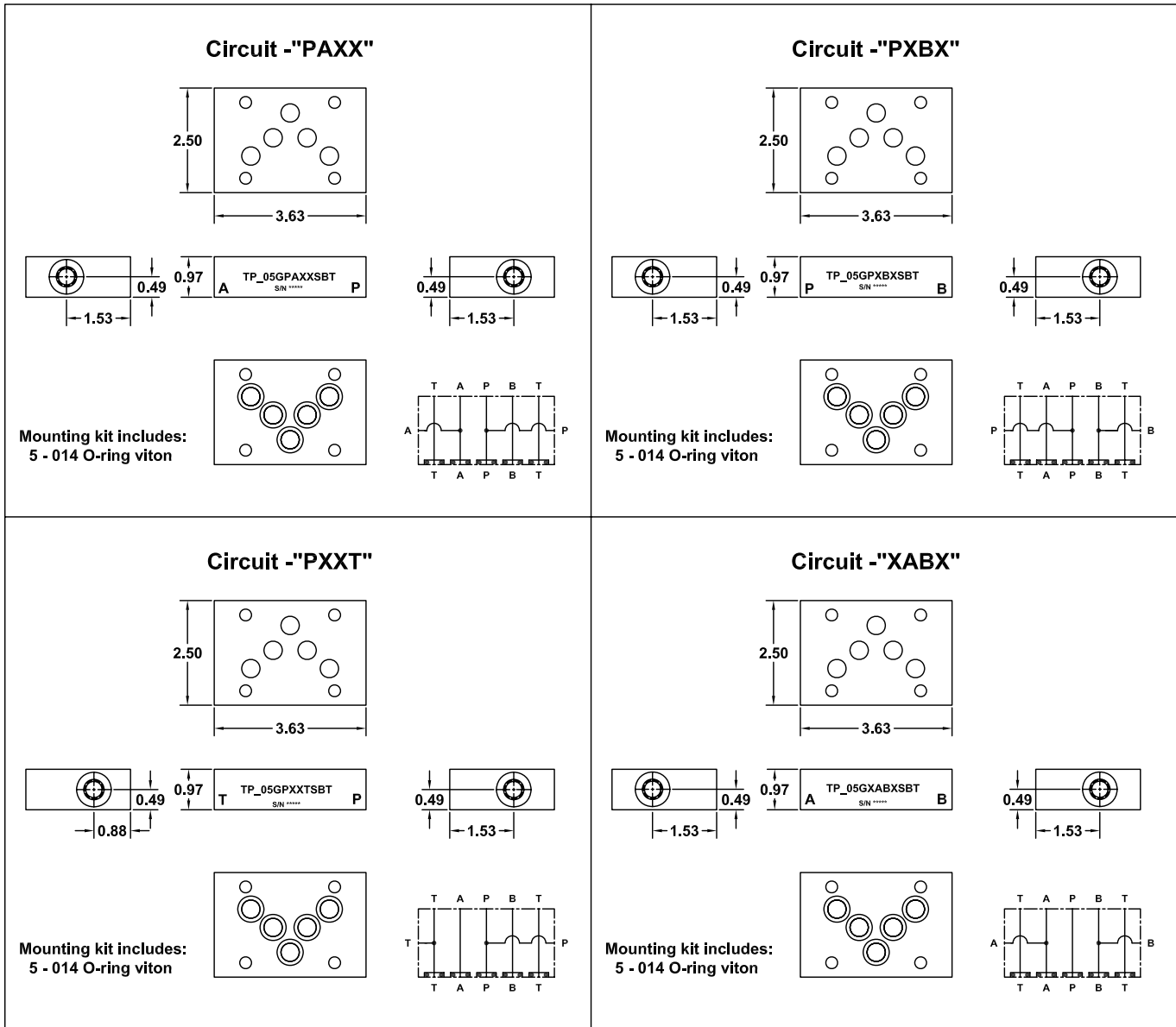
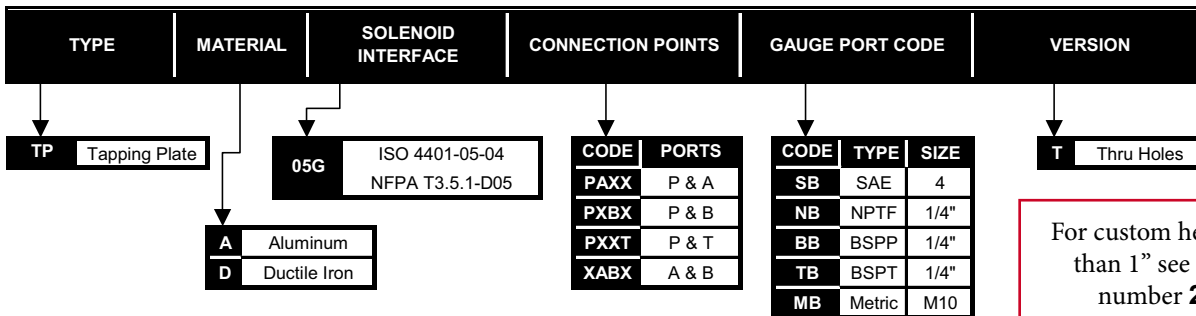


D05 Tapping Plates



PART NUMBER SYSTEM

Aluminum D05 Tapping Plate with SAE 4 Gauge Ports on A & B Example : **TPA05GXABXSBT**



For custom height greater than 1" see data sheet number **2.99.01**

WE RESERVE THE RIGHT TO DISCONTINUE MODELS, OR CHANGE SPECIFICATIONS WITHOUT NOTICE OR INCURRING OBLIGATION

Lynch Products Can Be Modified to Suit Your Application