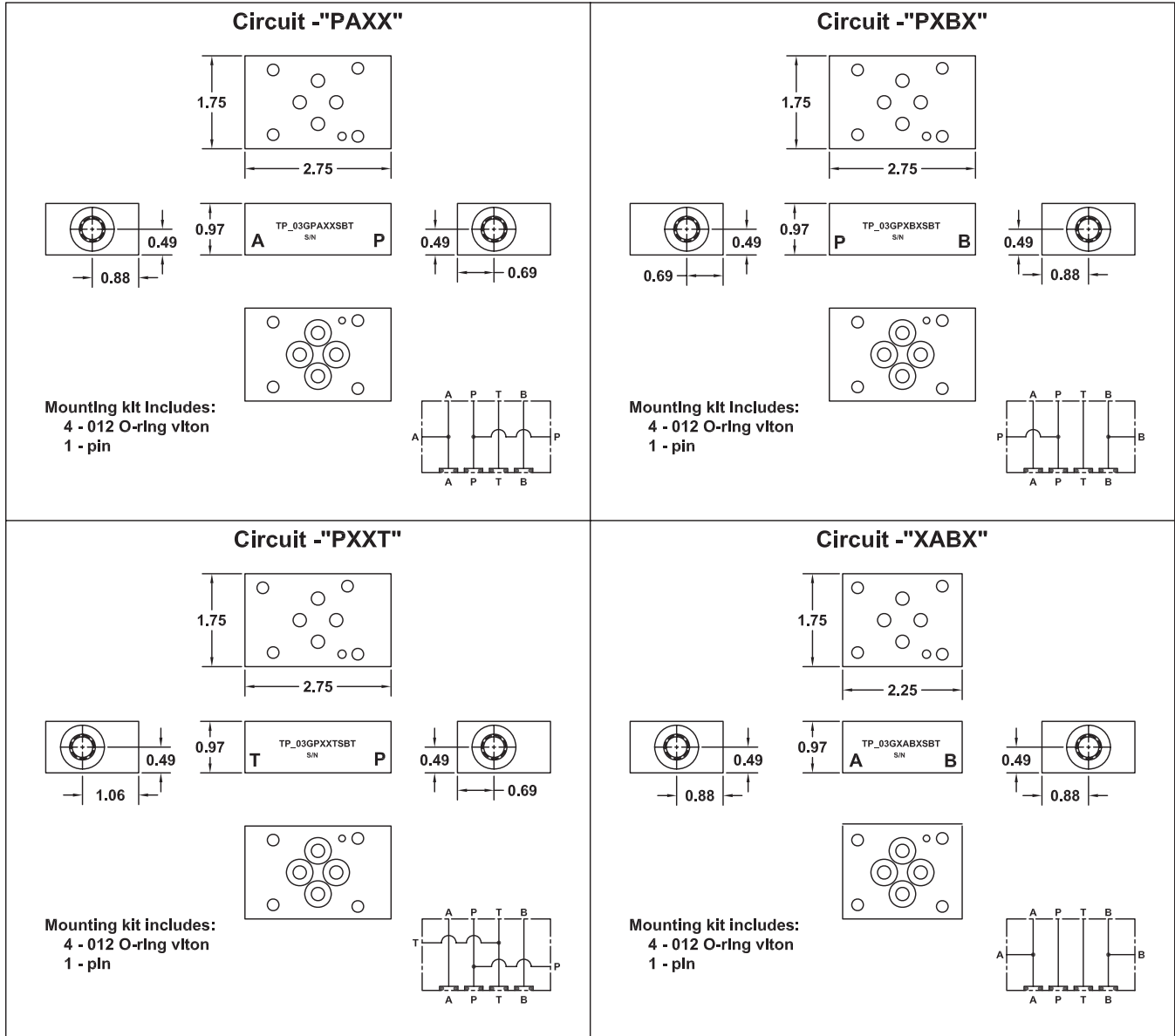
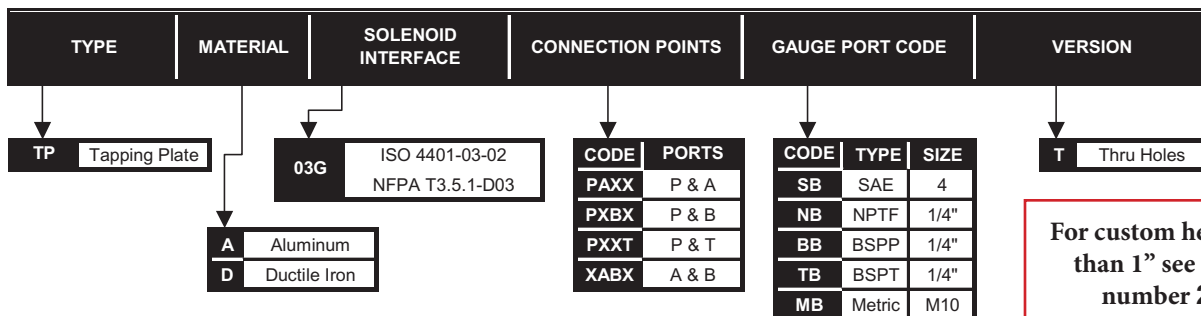


D03 Tapping Plates



PART NUMBER SYSTEM

Aluminum D03 Tapping Plate with SAE 4 Gauge Ports on A & B Example : **TPA03GXABXSBT**



For custom height greater than 1" see data sheet number 2.99.01

WE RESERVE THE RIGHT TO DISCONTINUE MODELS, OR CHANGE SPECIFICATIONS WITHOUT NOTICE OR INCURRING OBLIGATION

Lynch Products Can Be Modified to Suit Your Application

Phone: 1 (888) 626-4365 or +1 (905) 363-2400 Fax: 1 (800) 263-5807 www.lynch.ca sales@lynch.ca