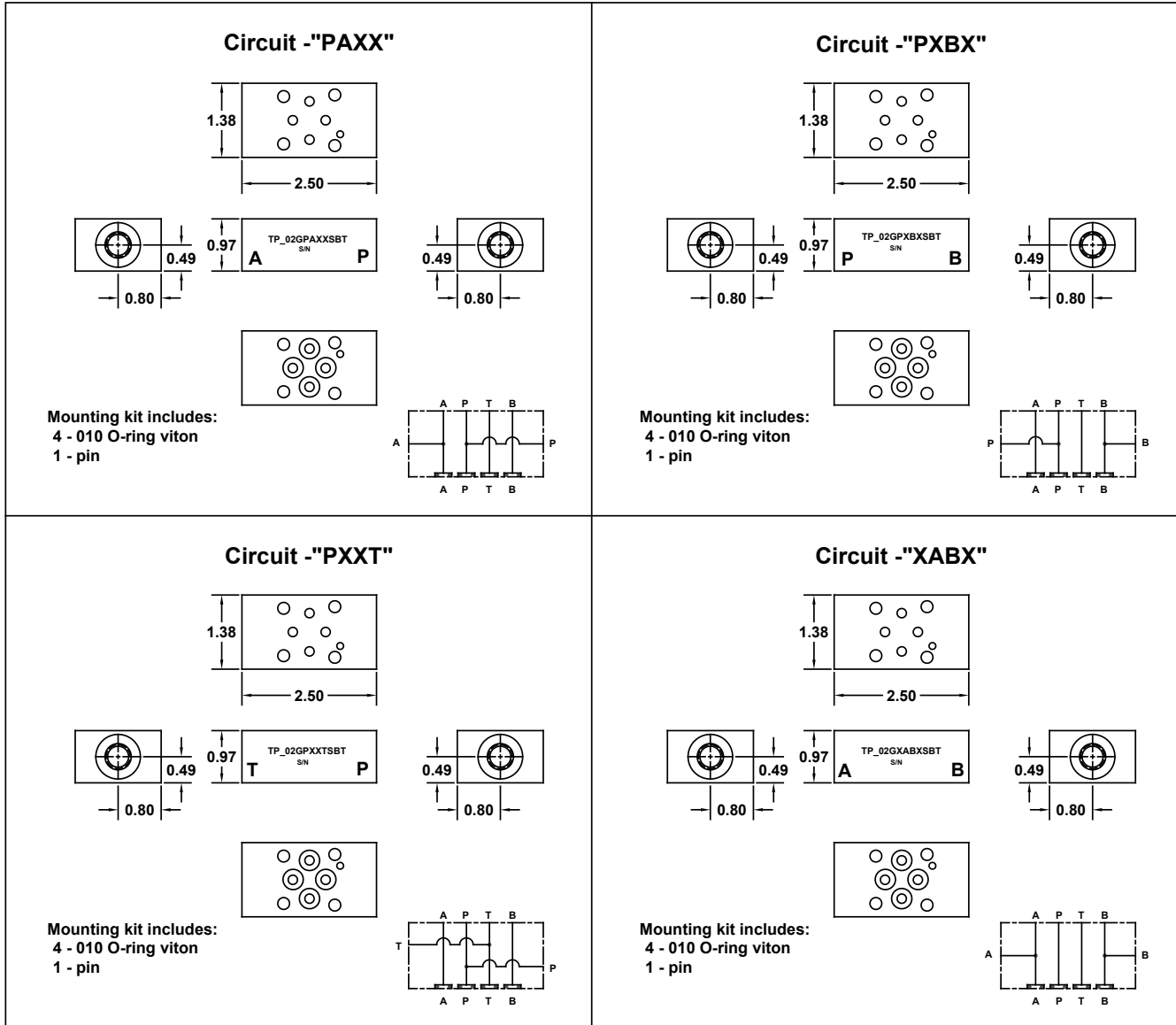
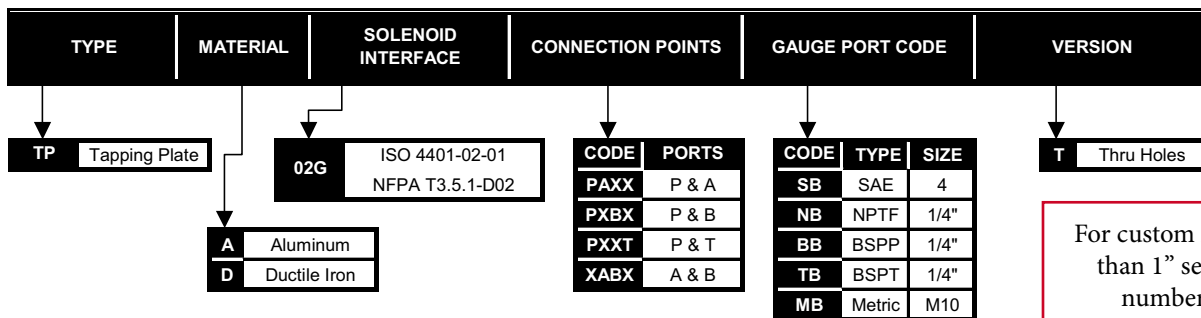


## D02 Tapping Plates



### PART NUMBER SYSTEM

Aluminum D02 Tapping Plate with SAE 4 Gauge Ports on A & B Example : **TPA02GXABXS**



For custom height greater than 1" see data sheet number **2.99.01**

WE RESERVE THE RIGHT TO DISCONTINUE MODELS, OR CHANGE SPECIFICATIONS WITHOUT NOTICE OR INCURRING OBLIGATION

Lynch Products Can Be Modified to Suit Your Application