

## Product Tips and Features

### Tapping Plates

Tapping Plates are sandwich adapters designed to provide a means to easily take pressure readings from the work ports.

1. Standard materials are Aluminum and Ductile Iron. Other materials including Mild Steel or Stainless Steel are optionally available.
2. Special Finishes including Black Oxide, Electroless Nickel Plating or Anodizing are optionally available.
3. Clearance holes are designed to accommodate either UNC or Metric interface fasteners.
4. Standard Connection Points are P & A, P & B, P & T, and A & B for all solenoid interfaces up to D08 size.
5. Standard Connection Points for P, A, B & T ports are available for D07, D08 & D10 sizes. D05 size is available on request.
6. Nominal ¼" Connection Points for test points as shown are Standard. Larger port sizes for higher flows are available on request.
7. Viton O rings and locating pins are supplied as standard.
8. Tapping Plates for Servo Valves are available. Please contact Factory for Part Numbers.
9. Special Tapping Plates can be ordered for external pressure connections from a secondary pressure source. Please contact factory for Part Number and availability.

WE RESERVE THE RIGHT TO DISCONTINUE MODELS, OR CHANGE SPECIFICATIONS WITHOUT NOTICE OR INCURRING OBLIGATION

**Lynch Products Can Be Modified to Suit Your Application**

Phone: 1 (888) 626-4365 or + 1 (905) 363-2400 Fax: 1 (800) 263-5807 [www.lynch.ca](http://www.lynch.ca) [sales@lynch.ca](mailto:sales@lynch.ca)

## Index

### Tapping Plates

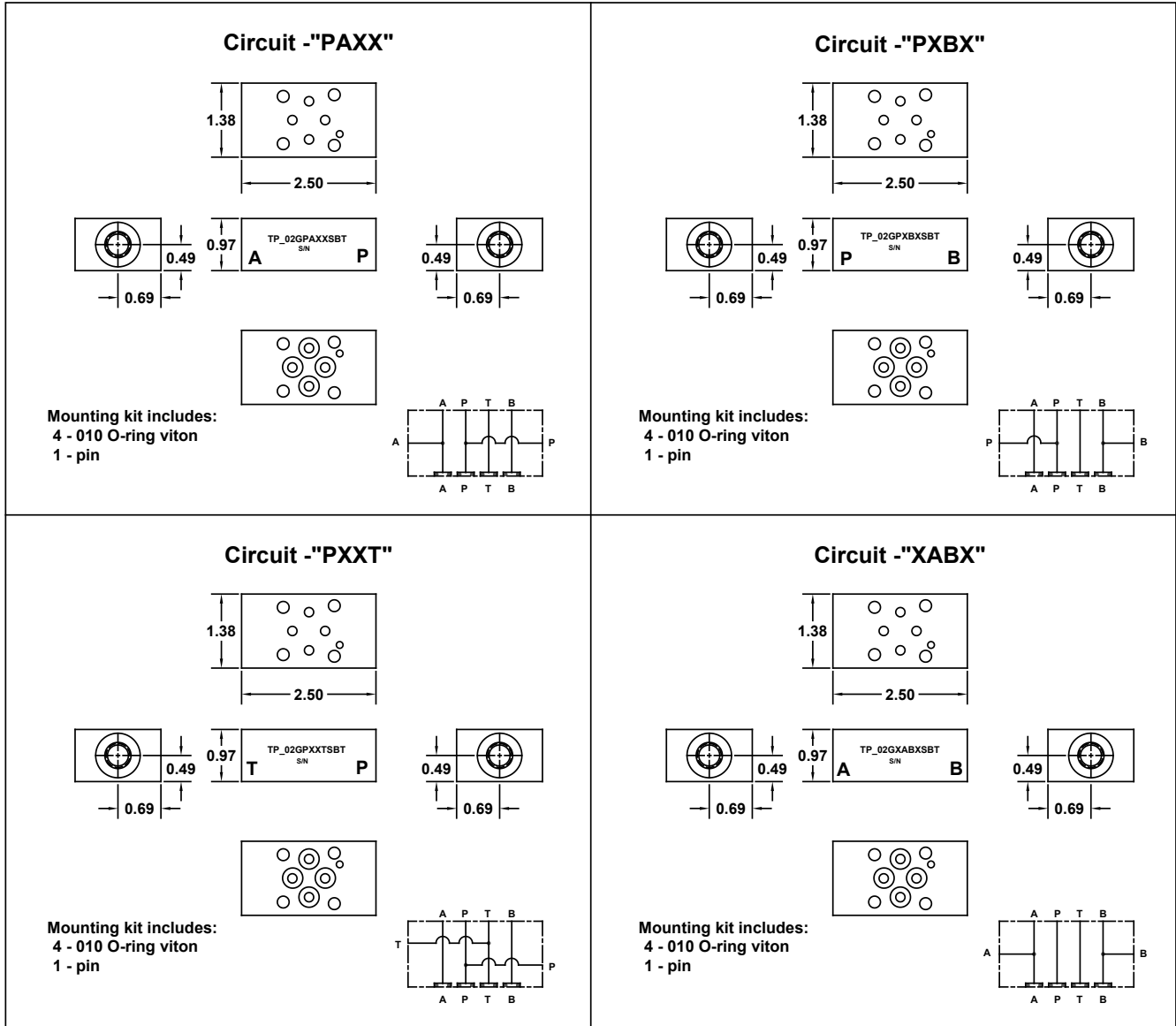
D02 Tapping Plates .....	2.01.01
D03 Tapping Plates .....	2.02.01
D05 Tapping Plates .....	2.03.01
D05H Tapping Plates.....	2.03.02
D05HE Tapping Plates .....	2.03.03
D07 Tapping Plates .....	2.04.01
D08 Tapping Plates .....	2.05.01
D07, D08 & D10 “P, A, B & T” Tapping Plates.....	2.06.01
Test Points.....	2.99.01
Oversized Ports (Full Flow) .....	Consult Factory
Servo Interfaces Tapping Plates .....	Consult Factory
2 Speed Sandwich Tapping Plates.....	Consult Factory

WE RESERVE THE RIGHT TO DISCONTINUE MODELS, OR CHANGE SPECIFICATIONS WITHOUT NOTICE OR INCURRING OBLIGATION

**Lynch Products Can Be Modified to Suit Your Application**

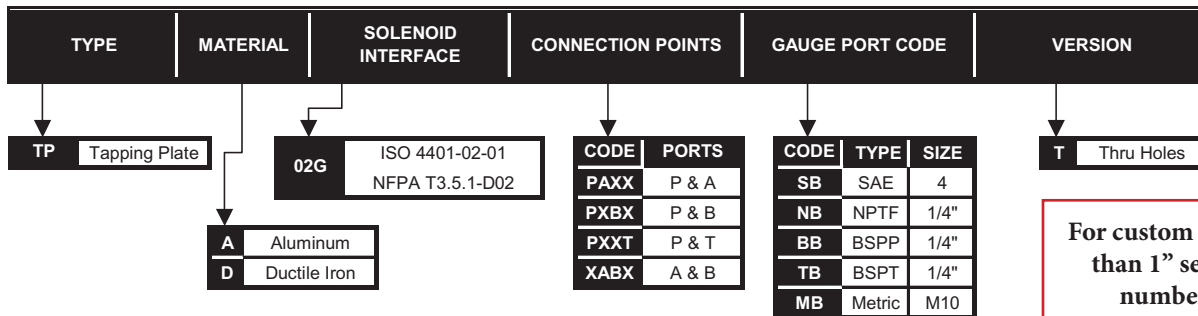
Phone: 1 (888) 626-4365 or + 1 (905) 363-2400 Fax: 1 (800) 263-5807 [www.lynch.ca](http://www.lynch.ca) [sales@lynch.ca](mailto:sales@lynch.ca)

## D02 Tapping Plates



### PART NUMBER SYSTEM

Aluminum D02 Tapping Plate with SAE 4 Gauge Ports on A & B Example : **TPA02GXABXS**



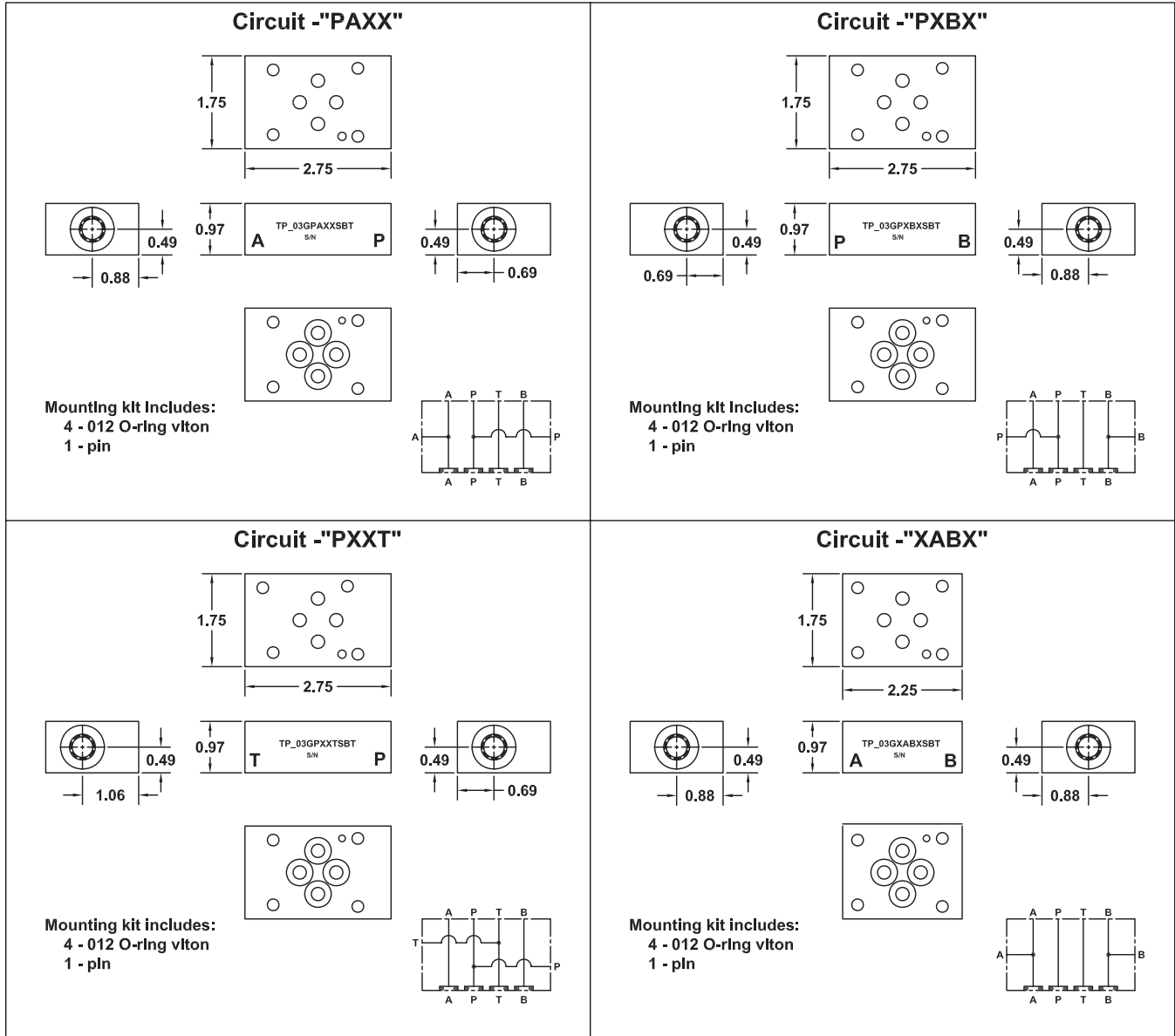
For custom height greater than 1" see data sheet number **2.99.01**

WE RESERVE THE RIGHT TO DISCONTINUE MODELS, OR CHANGE SPECIFICATIONS WITHOUT NOTICE OR INCURRING OBLIGATION

**Lynch Products Can Be Modified to Suit Your Application**

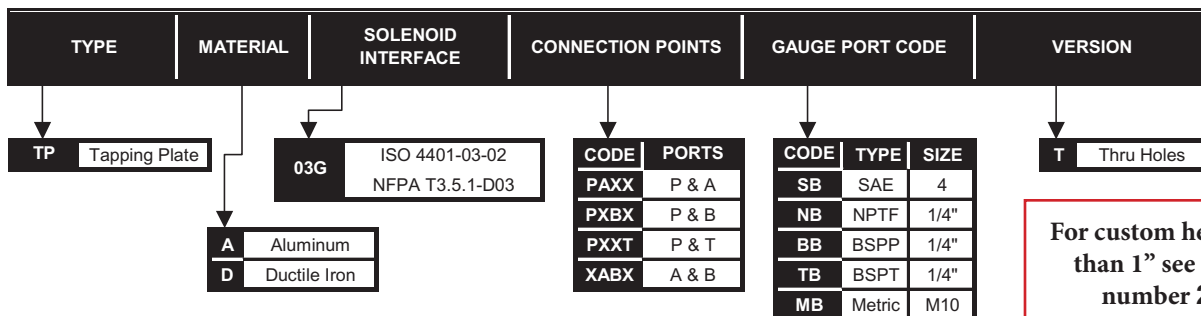
Phone: 1 (888) 626-4365 or +1 (905) 363-2400 Fax: 1 (800) 263-5807 www.lynch.ca sales@lynch.ca

## D03 Tapping Plates



### PART NUMBER SYSTEM

Aluminum D03 Tapping Plate with SAE 4 Gauge Ports on A & B Example : **TPA03GXABXSBT**



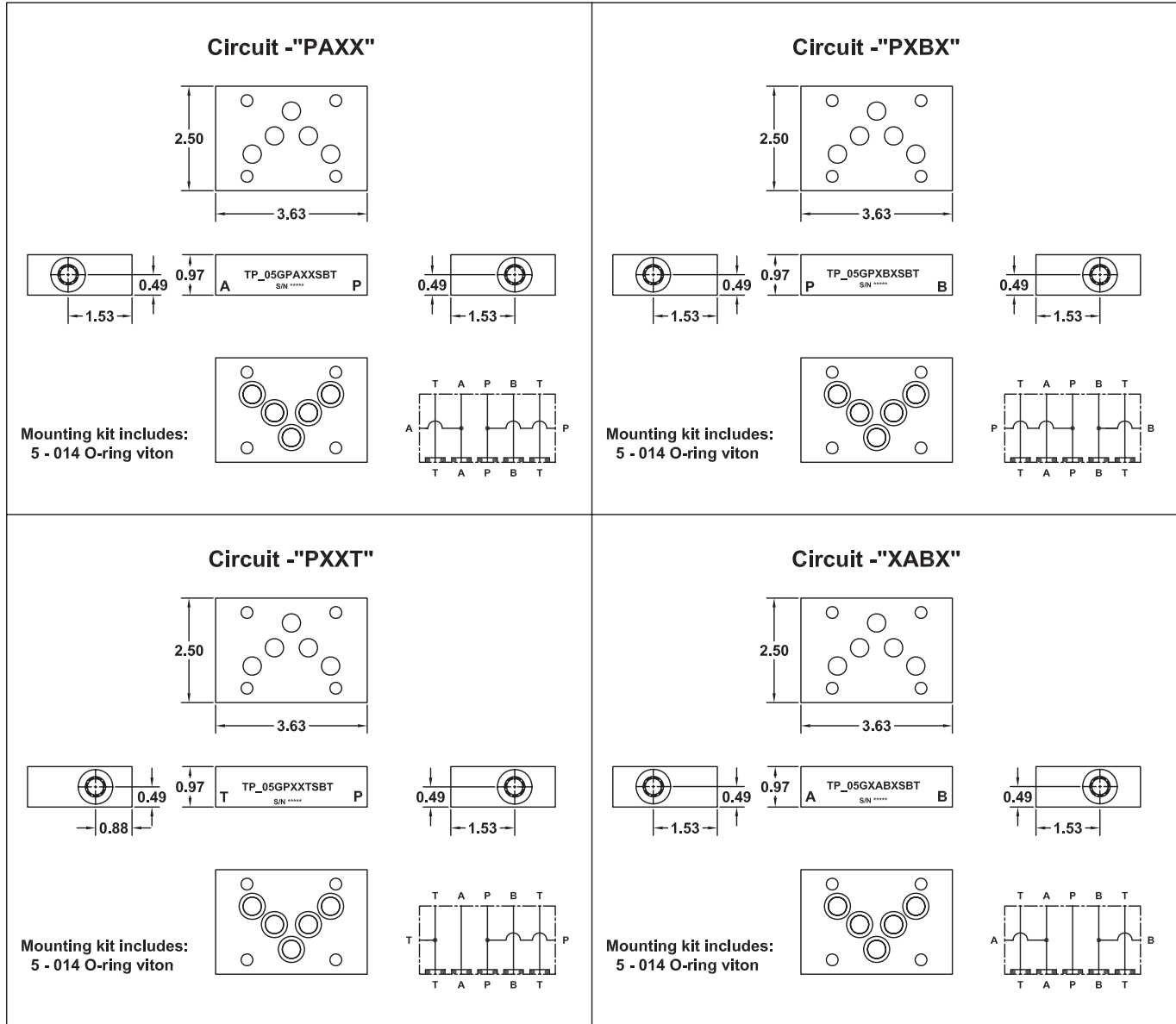
For custom height greater than 1" see data sheet number 2.99.01

WE RESERVE THE RIGHT TO DISCONTINUE MODELS, OR CHANGE SPECIFICATIONS WITHOUT NOTICE OR INCURRING OBLIGATION

Lynch Products Can Be Modified to Suit Your Application

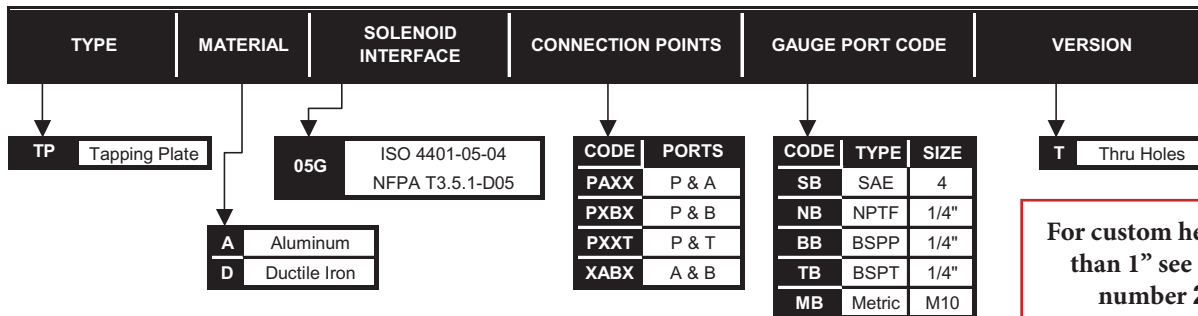
Phone: 1 (888) 626-4365 or +1 (905) 363-2400 Fax: 1 (800) 263-5807 www.lynch.ca sales@lynch.ca

## D05 Tapping Plates



### PART NUMBER SYSTEM

Aluminum D05 Tapping Plate with SAE 4 Gauge Ports on A & B Example : **TPA05GXABXSBT**



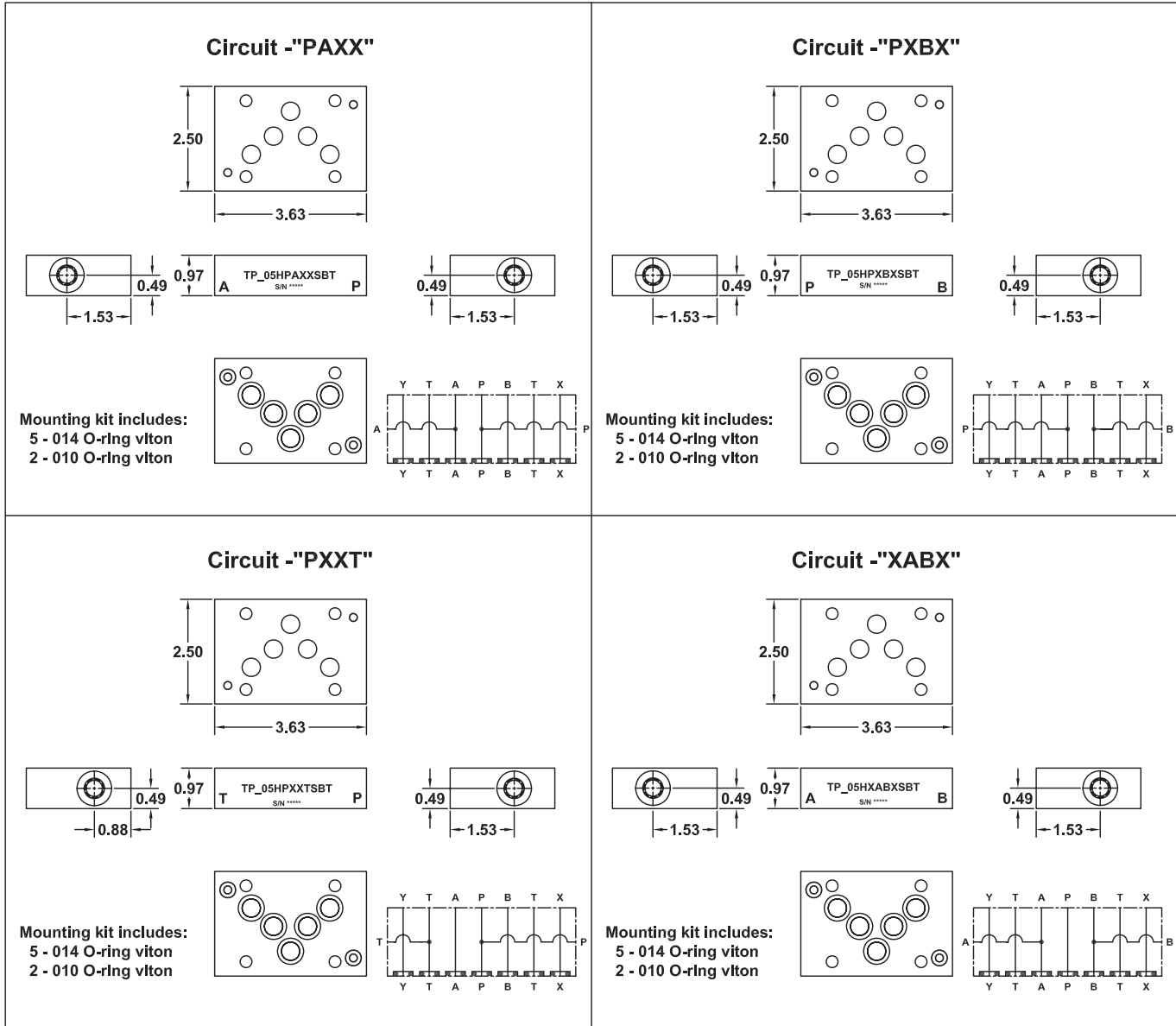
For custom height greater than 1" see data sheet number **2.99.01**

WE RESERVE THE RIGHT TO DISCONTINUE MODELS, OR CHANGE SPECIFICATIONS WITHOUT NOTICE OR INCURRING OBLIGATION

**Lynch Products Can Be Modified to Suit Your Application**

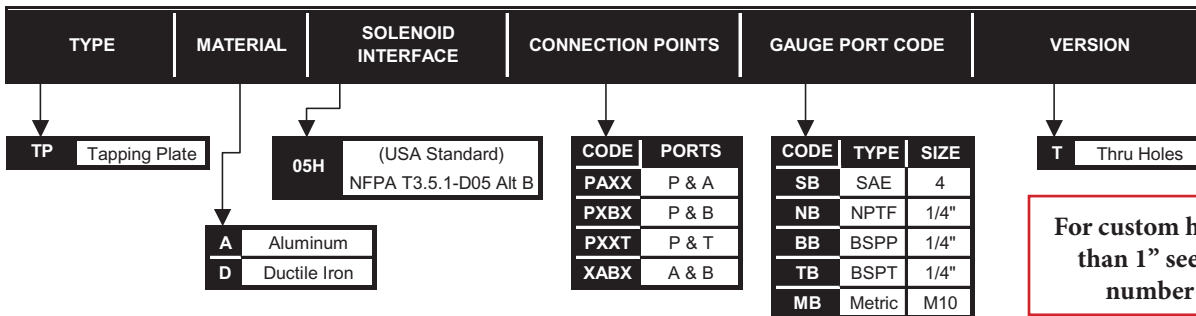
Phone: 1 (888) 626-4365 or +1 (905) 363-2400 Fax: 1 (800) 263-5807 www.lynch.ca sales@lynch.ca

## D05H Tapping Plates



### PART NUMBER SYSTEM

Aluminum D05H Tapping Plate with SAE 4 Gauge Ports on A & B Example : **TPA05HXABXSBT**



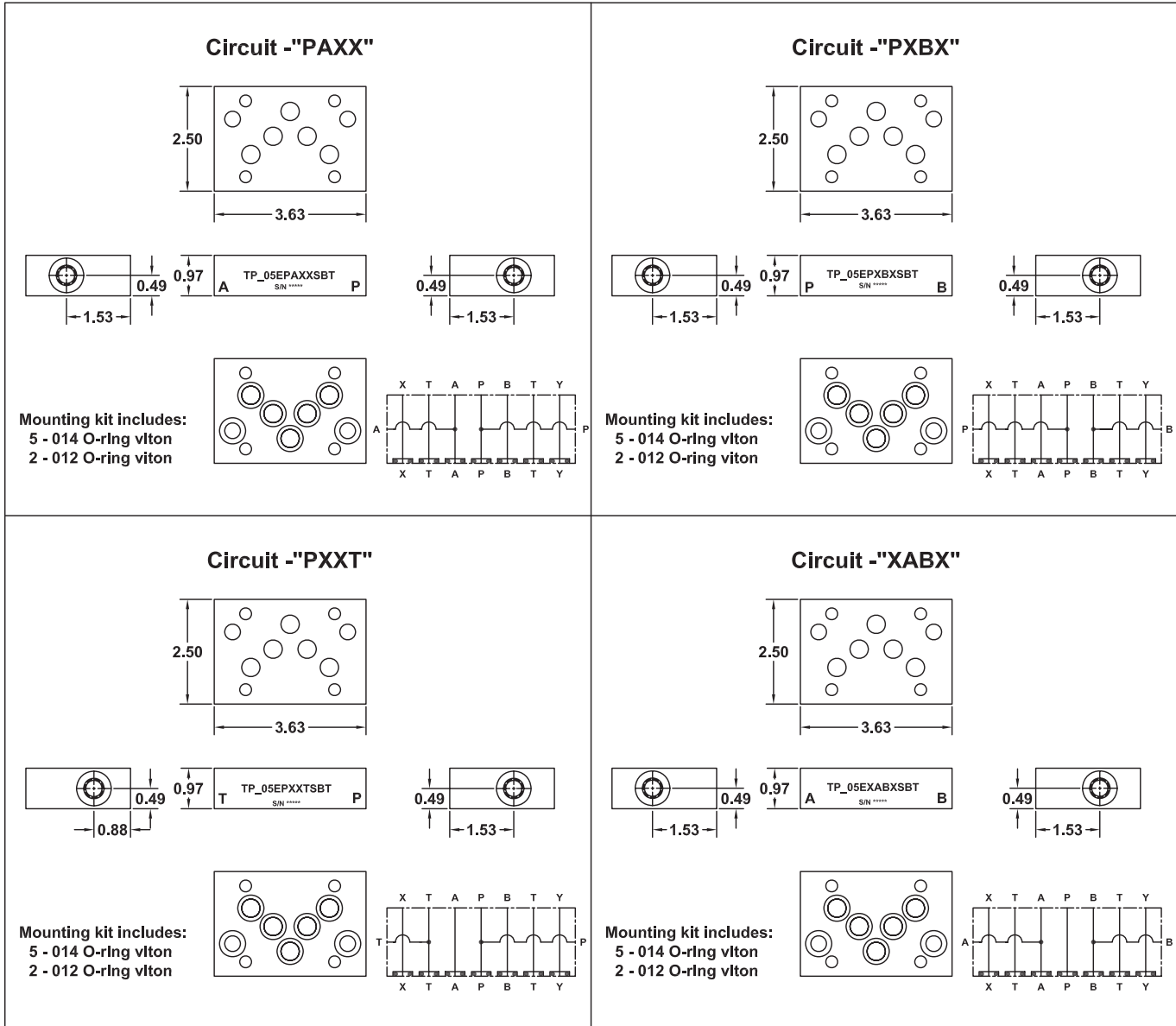
For custom height greater than 1" see data sheet number **2.99.01**

WE RESERVE THE RIGHT TO DISCONTINUE MODELS, OR CHANGE SPECIFICATIONS WITHOUT NOTICE OR INCURRING OBLIGATION

**Lynch Products Can Be Modified to Suit Your Application**

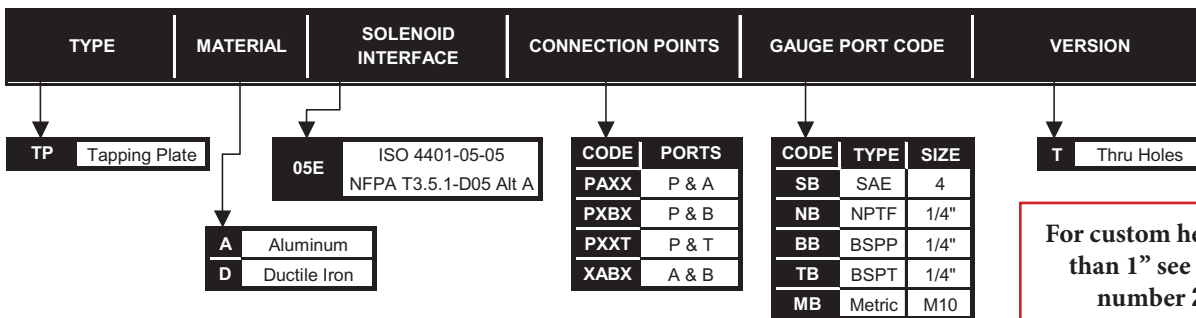
Phone: 1 (888) 626-4365 or +1 (905) 363-2400 Fax: 1 (800) 263-5807 www.lynch.ca sales@lynch.ca

## D05HE Tapping Plates



### PART NUMBER SYSTEM

Aluminum D05HE Tapping Plate with SAE 4 Gauge Ports on A & B Example : TPA05EXABXSBT



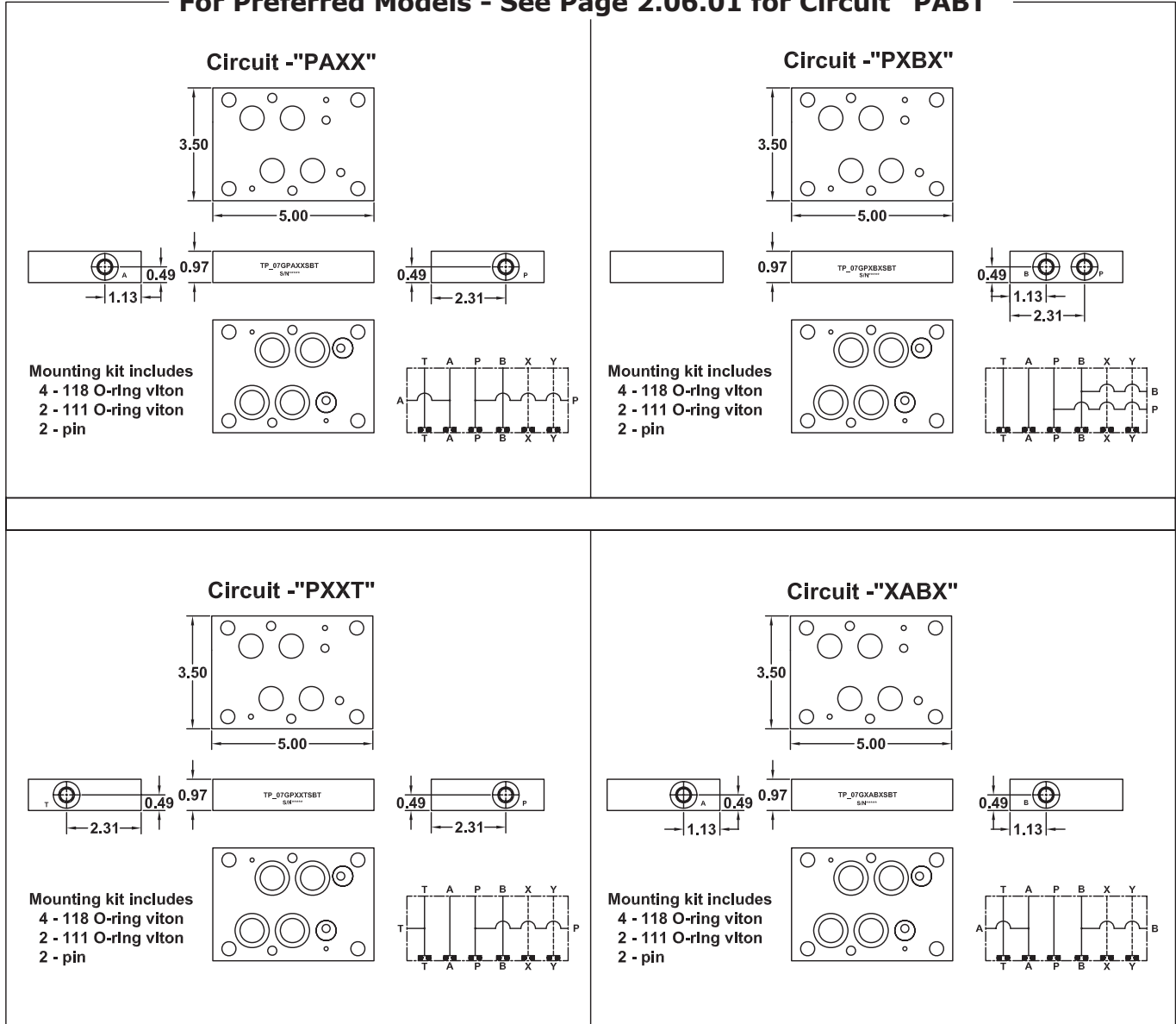
WE RESERVE THE RIGHT TO DISCONTINUE MODELS, OR CHANGE SPECIFICATIONS WITHOUT NOTICE OR INCURRING OBLIGATION

**Lynch Products Can Be Modified to Suit Your Application**

Phone: 1 (888) 626-4365 or +1 (905) 363-2400 Fax: 1 (800) 263-5807 www.lynch.ca sales@lynch.ca

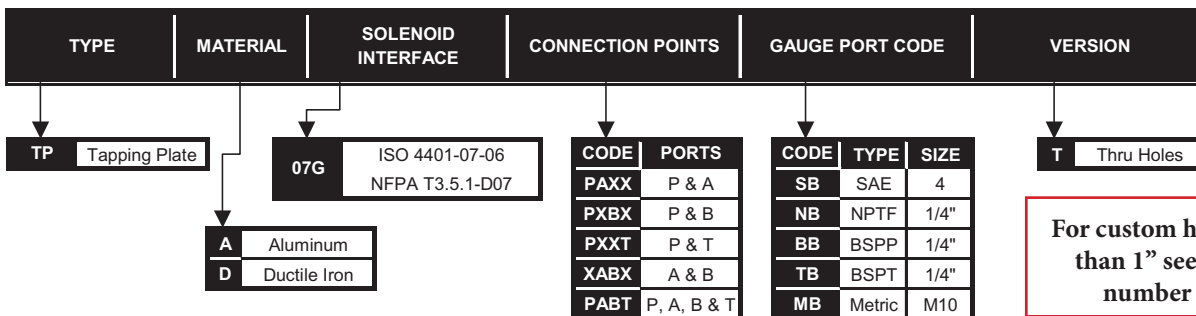
## D07 Tapping Plates (Non Preferred Models)

For Preferred Models - See Page 2.06.01 for Circuit "PABT"



### PART NUMBER SYSTEM

Aluminum D07 Tapping Plate with SAE 4 Gauge Ports on A & B Example : TPA07GXABXSBT



For custom height greater than 1" see data sheet number 2.99.01

WE RESERVE THE RIGHT TO DISCONTINUE MODELS, OR CHANGE SPECIFICATIONS WITHOUT NOTICE OR INCURRING OBLIGATION

Lynch Products Can Be Modified to Suit Your Application

Phone: 1 (888) 626-4365 or +1 (905) 363-2400 Fax: 1 (800) 263-5807 www.lynch.ca sales@lynch.ca

## D08 Tapping Plates (Non Preferred Models)

For Preferred Models - See Page 2.06.01 for Circuit "PABT"

<p><b>Circuit -"PAXX"</b></p> <p>Mounting kit includes 4 - 121 O-ring viton 2 - 114 O-ring viton 2 - pin</p>	<p><b>Circuit -"PXBX"</b></p> <p>Mounting kit includes 4 - 121 O-ring viton 2 - 114 O-ring viton 2 - pin</p>
<p><b>Circuit -"PXXT"</b></p> <p>Mounting kit Includes 4 - 121 O-ring viton 2 - 114 O-ring viton 2 - pin</p>	<p><b>Circuit -"XABX"</b></p> <p>Mounting kit Includes 4 - 121 O-ring viton 2 - 114 O-ring viton 2 - pin</p>

### PART NUMBER SYSTEM

Aluminum D08 Tapping Plate with SAE 4 Gauge Ports on A & B Example : **TPA08GXABXSBT**

TYPE	MATERIAL	SOLENOID INTERFACE	CONNECTION POINTS	GAUGE PORT CODE	VERSION																														
TP Tapping Plate	A Aluminum D Ductile Iron	08G ISO 4401-08-07 NFPA T3.5.1-D08	<table border="1"> <thead> <tr> <th>CODE</th> <th>PORTS</th> </tr> </thead> <tbody> <tr> <td>PAXX</td> <td>P &amp; A</td> </tr> <tr> <td>PXBX</td> <td>P &amp; B</td> </tr> <tr> <td>PXXT</td> <td>P &amp; T</td> </tr> <tr> <td>XABX</td> <td>A &amp; B</td> </tr> <tr> <td>PABT</td> <td>P, A, B &amp; T</td> </tr> </tbody> </table>	CODE	PORTS	PAXX	P & A	PXBX	P & B	PXXT	P & T	XABX	A & B	PABT	P, A, B & T	<table border="1"> <thead> <tr> <th>CODE</th> <th>TYPE</th> <th>SIZE</th> </tr> </thead> <tbody> <tr> <td>SB</td> <td>SAE</td> <td>4</td> </tr> <tr> <td>NB</td> <td>NPTF</td> <td>1/4"</td> </tr> <tr> <td>BB</td> <td>BSPP</td> <td>1/4"</td> </tr> <tr> <td>TB</td> <td>BSPT</td> <td>1/4"</td> </tr> <tr> <td>MB</td> <td>Metric</td> <td>M10</td> </tr> </tbody> </table>	CODE	TYPE	SIZE	SB	SAE	4	NB	NPTF	1/4"	BB	BSPP	1/4"	TB	BSPT	1/4"	MB	Metric	M10	T Thru Holes
CODE	PORTS																																		
PAXX	P & A																																		
PXBX	P & B																																		
PXXT	P & T																																		
XABX	A & B																																		
PABT	P, A, B & T																																		
CODE	TYPE	SIZE																																	
SB	SAE	4																																	
NB	NPTF	1/4"																																	
BB	BSPP	1/4"																																	
TB	BSPT	1/4"																																	
MB	Metric	M10																																	

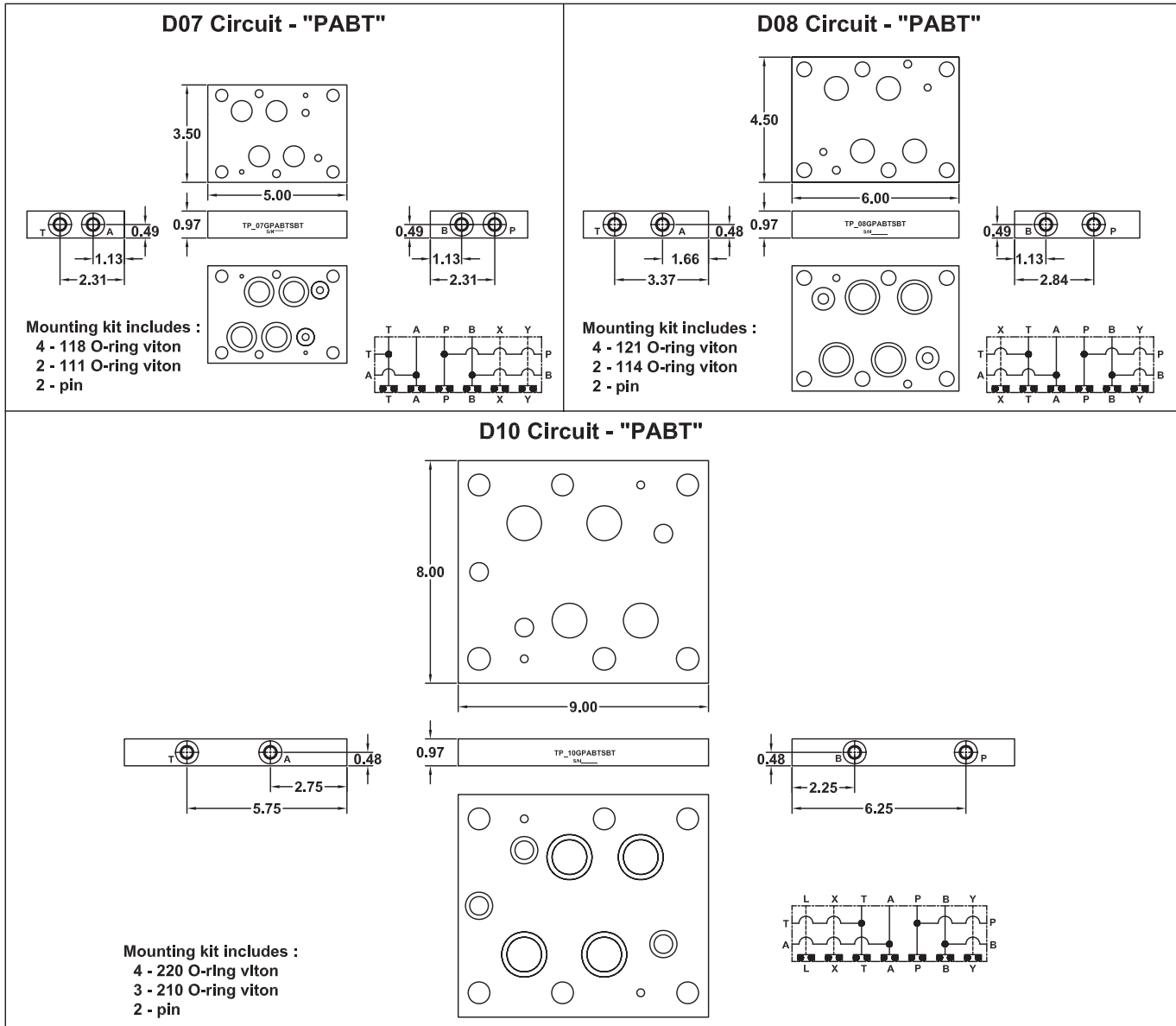
For custom height greater than 1" see data sheet number **2.99.01**

WE RESERVE THE RIGHT TO DISCONTINUE MODELS, OR CHANGE SPECIFICATIONS WITHOUT NOTICE OR INCURRING OBLIGATION

**Lynch Products Can Be Modified to Suit Your Application**

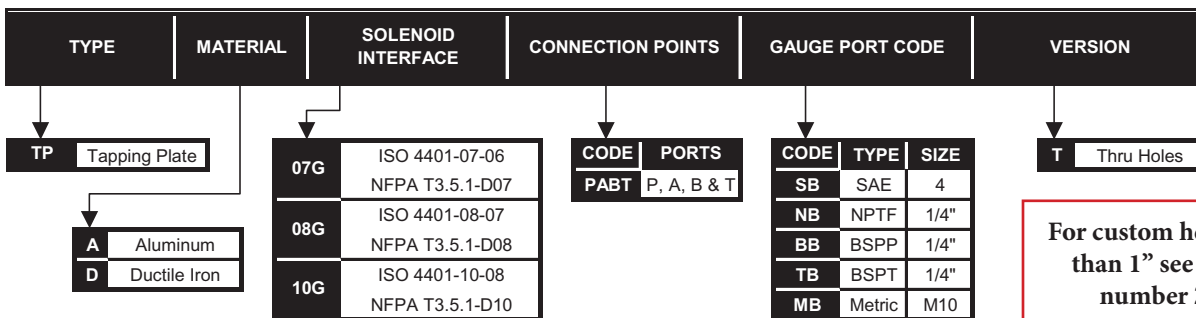
Phone: 1 (888) 626-4365 or +1 (905) 363-2400 Fax: 1 (800) 263-5807 www.lynch.ca sales@lynch.ca

## D07, D08 & D10 - P, A, B & T Tapping Plates



### PART NUMBER SYSTEM

Aluminum D10 Tapping Plate with SAE 4 Gauge Ports on P, A, B & T Example : **TPA10GPABTSBT**



WE RESERVE THE RIGHT TO DISCONTINUE MODELS, OR CHANGE SPECIFICATIONS WITHOUT NOTICE OR INCURRING OBLIGATION

**Lynch Products Can Be Modified to Suit Your Application**

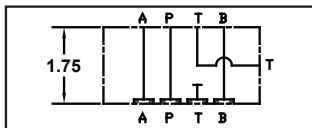
Phone: 1 (888) 626-4365 or +1 (905) 363-2400 Fax: 1 (800) 263-5807 [www.lynch.ca](http://www.lynch.ca) [sales@lynch.ca](mailto:sales@lynch.ca)

## Non Standard Options Oversized Ports, External Feed and/or Custom Height

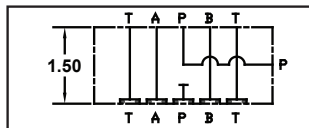
To order a non-standard Tapping Plate, make one selection from each column. Note: not all combinations are possible. Contact factory to confirm your selection.  
**NON-STANDARD EXAMPLE D05 D.I. Tapping Plate with SAE 6 Ports on A&B, 2.00" high: TPD05GXABXSCT200**

TYPE	MATERIAL	SOLENOID INTERFACE	CONNECTION POINTS	GAUGE PORT CODES	VERSION	CUSTOM HEIGHT															
TAPPING PLATE	Standard Options		Directional Valves				<table border="1"> <thead> <tr> <th>CODE</th> <th>HEIGHT</th> </tr> </thead> <tbody> <tr> <td>###</td> <td>###"</td> </tr> <tr> <td>147</td> <td>1.47"</td> </tr> <tr> <td>175</td> <td>1.75"</td> </tr> <tr> <td>200</td> <td>2.00"</td> </tr> <tr> <td>250</td> <td>2.50"</td> </tr> <tr> <td>300</td> <td>3.00"</td> </tr> </tbody> </table> <p>Other custom heights are available on request.</p>	CODE	HEIGHT	###	###"	147	1.47"	175	1.75"	200	2.00"	250	2.50"	300	3.00"
	CODE	HEIGHT																			
	###	###"																			
	147	1.47"																			
	175	1.75"																			
	200	2.00"																			
	250	2.50"																			
	300	3.00"																			
	A	Aluminum	CODE NFPA ISO 4401	CODE PORTS	CODE NPTF	CODE TYPE															
	D	Ductile	02G D02 -02-01	PAXX P & A	NA 1/8 NPTF	T All Through Galleries															
	Non-Standard Options		03G D03 -03-02	PXBX P & B	NB 1/4 NPTF	E External Feed															
	S	Steel	05G D05 -05-04	PXXT P & T	NC 3/8 NPTF																
	3	303 Stainless Steel	05H D05H -	XABX A & B	CODE SAE																
	4	304 Stainless Steel	05E D05HE -05-05	PABT P & A & B & T	SB SAE 4																
	6	316 Stainless Steel	07G D07 -07-06	XBAX A & B Ports Opposite Face To Standard XABX Design	SC SAE 6																
			08G D08 -08-07		SD SAE 8																
			10G D10 -10-08	PXXX P Only	SE SAE 10																
			Servo Valves		SH SAE 16																
			CODE ISO 10372	XAXX A Only	SI SAE 20																
			01S Size 01	XXBX B Only	CODE BSPP																
		02S Size 02	XXXT T Only	BB BSPP 1/4"																	
		03S Size 03	XAXT A & T	BC BSPP 3/8"																	
		04S Size 04	XXBT B & T	BD BSPP 1/2"																	
		06S Size 06		BF BSPP 3/4"																	
				BH BSPP 1"																	
				BI BSPP 1 1/4"																	
				CODE BSPT																	
				TB BSPP 1/4"																	
				CODE METRIC ISO 6149																	
				MB M10X1.5																	

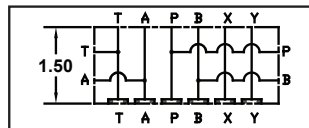
TPA03GXXXTSDE172



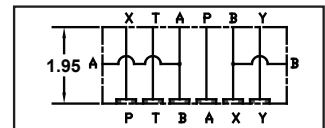
TPA05GPXXXSEE147



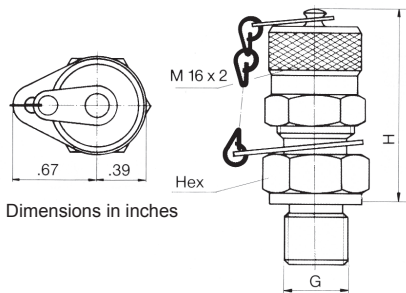
TPA07GPABTSC147



TPA08GXABXSFT197



## Test Points



SAE	Thread G	H	Hex	Part Numbers
#4 SAE	7/16 UNF	1.5	0.67	MMHY01015
#6 SAE	9/16 UNF	1.57	0.75	MMHY01010

WE RESERVE THE RIGHT TO DISCONTINUE MODELS, OR CHANGE SPECIFICATIONS WITHOUT NOTICE OR INCURRING OBLIGATION

**Lynch Products Can Be Modified to Suit Your Application**

Phone: 1 (888) 626-4365 or +1 (905) 363-2400 Fax: 1 (800) 263-5807 www.lynch.ca sales@lynch.ca