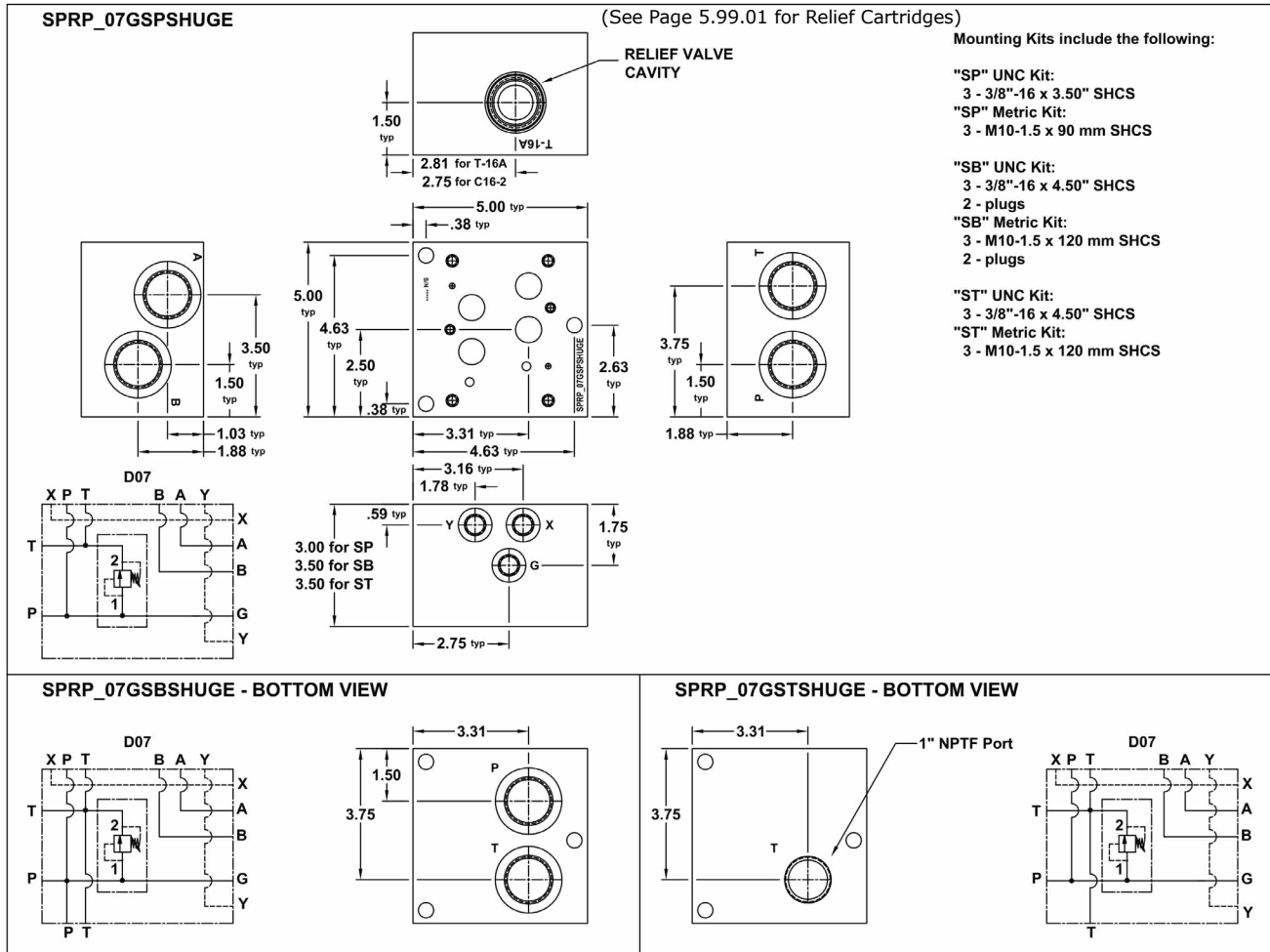


## D07 Subplate With Relief - Nominal 1"



SPRP\_07GSBSHUGE - BOTTOM VIEW

SPRP\_07GSTSHUGE - BOTTOM VIEW

### PART NUMBER SYSTEM

Aluminum D07 Side Ported Subplate with SAE 16 Ports & T-16A Relief Example: **SPRPA07GSPSHUGE**

TYPE	MATERIAL	VALVE PATTERN	PORTING STYLE	PORT CODE	MOUNTING THREADS & KIT	RELIEF CAVITY AND PILOT PORT OPTIONS																													
SPRP	Subplates with P to T Relief		SB Side Ported with Bottom P & T Ports SP Side Ported only ST Side Ported with 1" NPTF "T" Port on Bottom only	U UNC Std for SAE & NPT M Metric Std for BSP* & Metric	<table border="1"> <tr> <td>D07 Valve</td> <td>3/8"-16 UNC x 1.00" dp</td> </tr> <tr> <td>Subplate</td> <td>3/8"-16 UNC SHCS</td> </tr> <tr> <td>D07 Valve</td> <td>M10 x 1.50 x 1.00" dp</td> </tr> <tr> <td>Subplate</td> <td>M10 x 1.50 SHCS</td> </tr> </table>	D07 Valve	3/8"-16 UNC x 1.00" dp	Subplate	3/8"-16 UNC SHCS	D07 Valve	M10 x 1.50 x 1.00" dp	Subplate	M10 x 1.50 SHCS	<table border="1"> <tr> <td>GE</td> <td>Sun T-16A</td> </tr> <tr> <td>HE</td> <td>Common C16-2</td> </tr> </table>	GE	Sun T-16A	HE	Common C16-2																	
	D07 Valve	3/8"-16 UNC x 1.00" dp																																	
Subplate	3/8"-16 UNC SHCS																																		
D07 Valve	M10 x 1.50 x 1.00" dp																																		
Subplate	M10 x 1.50 SHCS																																		
GE	Sun T-16A																																		
HE	Common C16-2																																		
	A Aluminum D Ductile Iron	07G ISO 4401-07-06 NFPA T3.5.1-D07			<table border="1"> <thead> <tr> <th>CODE</th> <th>TYPE</th> <th>P, T, A and B</th> <th>X &amp; Y</th> <th>G</th> </tr> </thead> <tbody> <tr> <td>SH</td> <td>SAE</td> <td>16</td> <td>6</td> <td>6</td> </tr> <tr> <td>NH</td> <td>NPTF</td> <td>1"</td> <td>1/4"</td> <td>1/4"</td> </tr> <tr> <td>BH</td> <td>BSPP</td> <td>1"</td> <td>1/4"</td> <td>1/4"</td> </tr> <tr> <td>TH</td> <td>BSPT</td> <td>1"</td> <td>1/4"</td> <td>1/4"</td> </tr> <tr> <td>MH</td> <td>METRIC</td> <td>M33</td> <td>M10</td> <td>M10</td> </tr> </tbody> </table>	CODE	TYPE	P, T, A and B	X & Y	G	SH	SAE	16	6	6	NH	NPTF	1"	1/4"	1/4"	BH	BSPP	1"	1/4"	1/4"	TH	BSPT	1"	1/4"	1/4"	MH	METRIC	M33	M10	M10
CODE	TYPE	P, T, A and B	X & Y	G																															
SH	SAE	16	6	6																															
NH	NPTF	1"	1/4"	1/4"																															
BH	BSPP	1"	1/4"	1/4"																															
TH	BSPT	1"	1/4"	1/4"																															
MH	METRIC	M33	M10	M10																															

WE RESERVE THE RIGHT TO DISCONTINUE MODELS, OR CHANGE SPECIFICATIONS WITHOUT NOTICE OR INCURRING OBLIGATION

Lynch Products Can Be Modified to Suit Your Application

Phone: 1 (888) 626-4365 or +1 (905) 363-2400 Fax: 1 (800) 263-5807 www.lynch.ca sales@lynch.ca