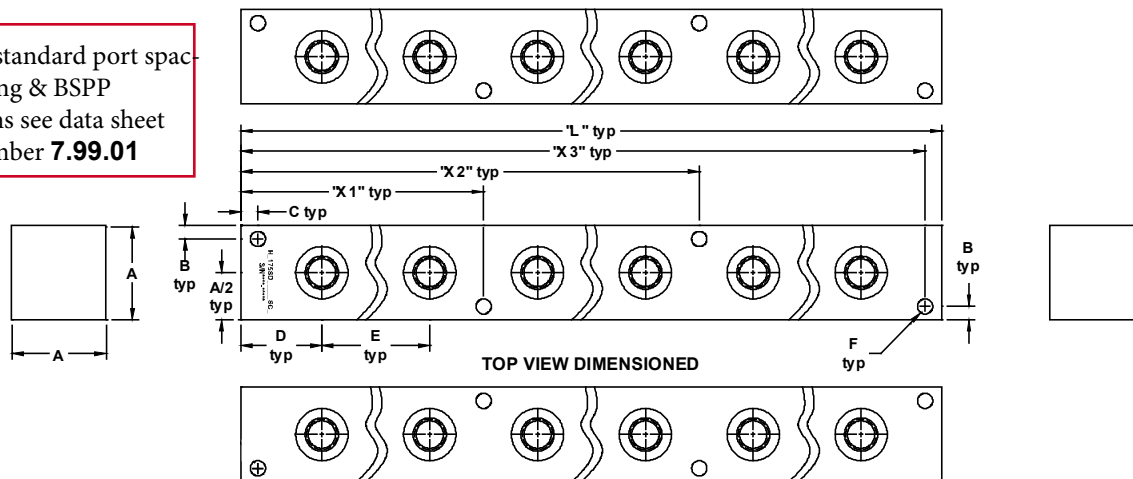


## Junctions - Layout & Part Number System

For non-standard port spacing & BSPP options see data sheet number **7.99.01**

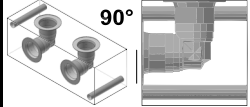
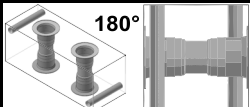
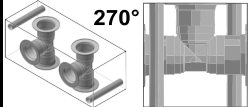


To order a standard product, select one CODE from each Column. Port sizes are linked to material size and must be selected from the same row for standard product.

**STANDARD EXAMPLE** Ductile Junction with SAE 16 Ports Out Top & Two Opposite Sides: **JD300XX270\*\*SHU**

To special order a non-standard port code, select any port code above the stock material size row.

**NON-STANDARD EXAMPLE** Ductile Junction with SAE 6 Ports Out Top & One Side: **JD175XX090\*\*SCU**

TYPE	MATERIAL	MATERIAL SIZE	END PORT CODE		PORT ORIENTATION		NO. of STATIONS	SIDE PORT CODE		MT'G	
			CODE	TYPE	CODE	STYLE		CODE	TYPE		
<b>J</b> JUNCTION	Standard Options	<b>CODE</b> <b>SIZE</b>	<b>XX</b>	<b>NONE</b>	<b>CODE</b>	<b>STYLE</b>	<b>01 to 10</b>	<b>CODE</b>	<b>TYPE</b>	<b>U</b> <b>STD</b> TOP & SIDE MTG HOLES	
	<b>A</b> Aluminum	<b>100</b> 1.00" x 1.00"			<b>090</b>	Top & One Side		<b>NR</b>	1/16" NPTF		
	<b>F</b> Steel					<b>90°</b>					
	Non-Standard Options	<b>CODE</b> <b>SIZE</b>									
	<b>D</b> Ductile	<b>150</b> 1.50" x 1.50"									
	<b>B</b> Brass										
	<b>6</b> 316 Stainless Steel										
	<b>3</b> 303 Stainless Steel	<b>175</b> 1.75" x 1.75"				<b>180</b>		Two Opposite Sides			<b>SB</b> SAE 4 <b>NB</b> 1/4" NPTF
	Available on Special Order Only	<b>CODE</b> <b>SIZE</b>						<b>180°</b>			<b>SC</b> SAE 6 <b>NC</b> 3/8" NPTF
		<b>175</b> 1.75" x 1.75"									<b>SD</b> SAE 8 <b>ND</b> 1/2" NPTF
		<b>200</b> 2.00" x 2.00"						<b>270°</b>			<b>SF</b> SAE 12 <b>NF</b> 3/4" NPTF
		<b>250</b> 2.50" x 2.50"									<b>SH</b> SAE 16 <b>NH</b> 1" NPTF
Standard Options	<b>CODE</b> <b>SIZE</b>					<b>01 to 09</b>	<b>SI</b> SAE 20 <b>NI</b> 1 1/4" NPTF				
<b>A</b> Aluminum	<b>300</b> 3.00" x 3.00"					<b>01 to 07</b>	<b>SJ</b> SAE 24 <b>NJ</b> 1 1/2" NPTF				
<b>D</b> Ductile											
Non-Standard Options	<b>CODE</b> <b>SIZE</b>										
<b>6</b> 316 Stainless Steel	<b>350</b> 3.50" x 3.50"										
<b>3</b> 303 Stainless Steel											
Available on Special Order Only	<b>CODE</b> <b>SIZE</b>										
	<b>400</b> 4.00" x 4.00"										

WE RESERVE THE RIGHT TO DISCONTINUE MODELS, OR CHANGE SPECIFICATIONS WITHOUT NOTICE OR INCURRING OBLIGATION

Lynch Products Can Be Modified to Suit Your Application