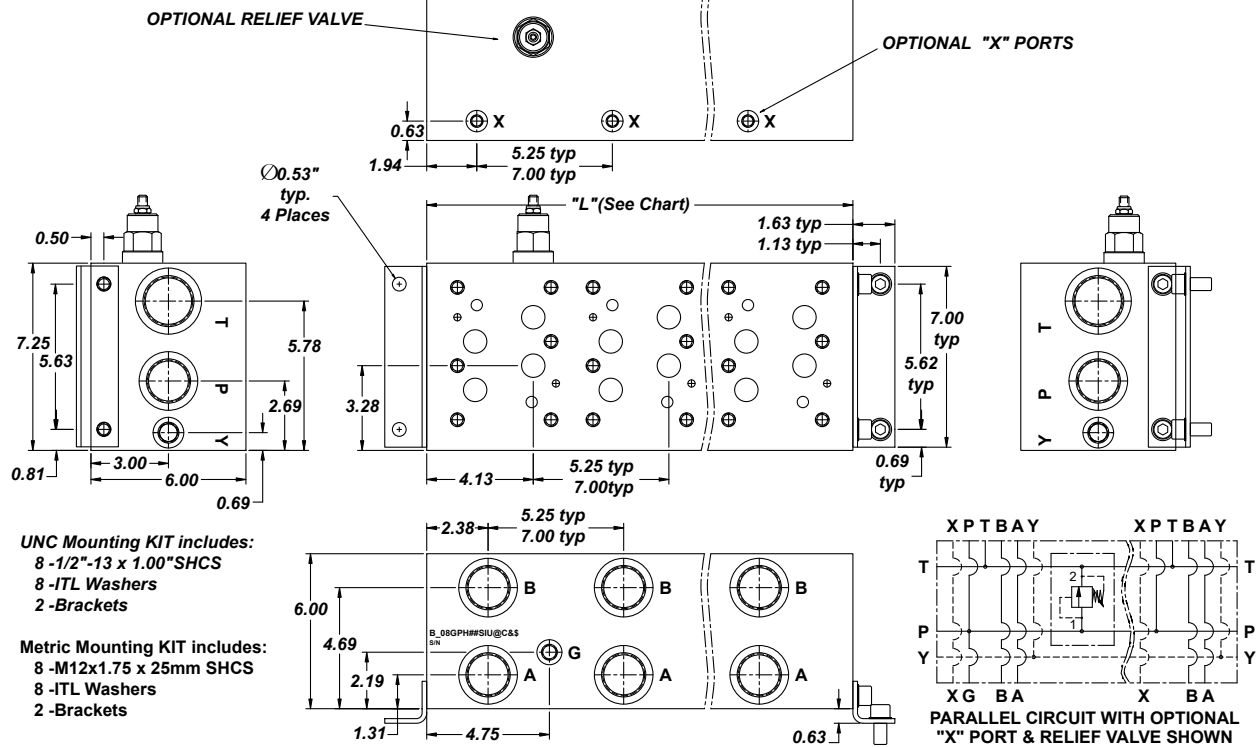


D08 High Flow Parallel Circuit Manifold

(See Page 1.99.01 for Relief Cartridges)



No. of Stations	1	2	3	4	5	6	7
Dim. "L", 5.25" spacing	6.00	11.25	16.50	21.75	27.00	32.25	37.50
est. weight in lb.- alum	28	52	77	101	126	150	175
est. weight in lb.- iron	75	141	207	273	339	405	471
Dim. "L", 7.00" spacing	-	13.00	20.00	27.00	34.00	-	-
est. weight in lb.- alum	-	61	93	126	158	-	-
est. weight in lb.- iron	-	163	251	339	427	-	-

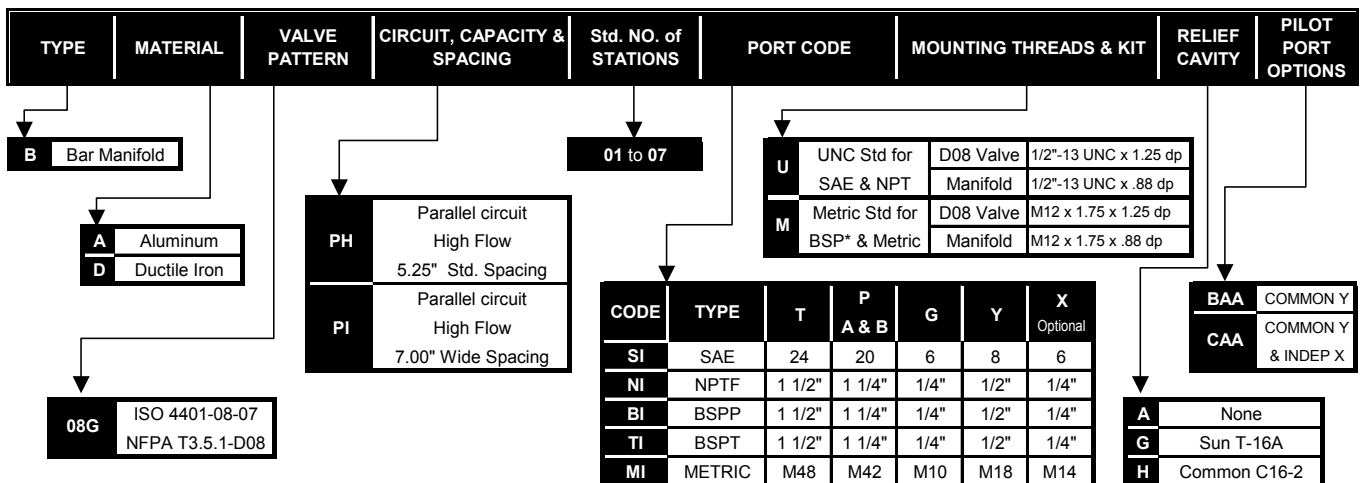
SHADED AREA AVAILABLE
ON SPECIAL ORDER ONLY

Notes:

- 1) Isolations on P & T available - See Page 5 for Codes
- 2) Common X port option available - contact factory for P/N
- 3) Larger relief cavities available - contact factory for P/N

PART NUMBER SYSTEM

Aluminum D08 with 5.25" spacing, Common Y & SAE porting example: **BA08GPH**SIUABAA**



WE RESERVE THE RIGHT TO DISCONTINUE MODELS, OR CHANGE SPECIFICATIONS WITHOUT NOTICE OR INCURRING OBLIGATION

Lynch Products Can Be Modified to Suit Your Application

Phone: 1 (888) 626-4365 or +1 (905) 363-2400 Fax: 1 (800) 263-5807 www.lynch.ca sales@lynch.ca