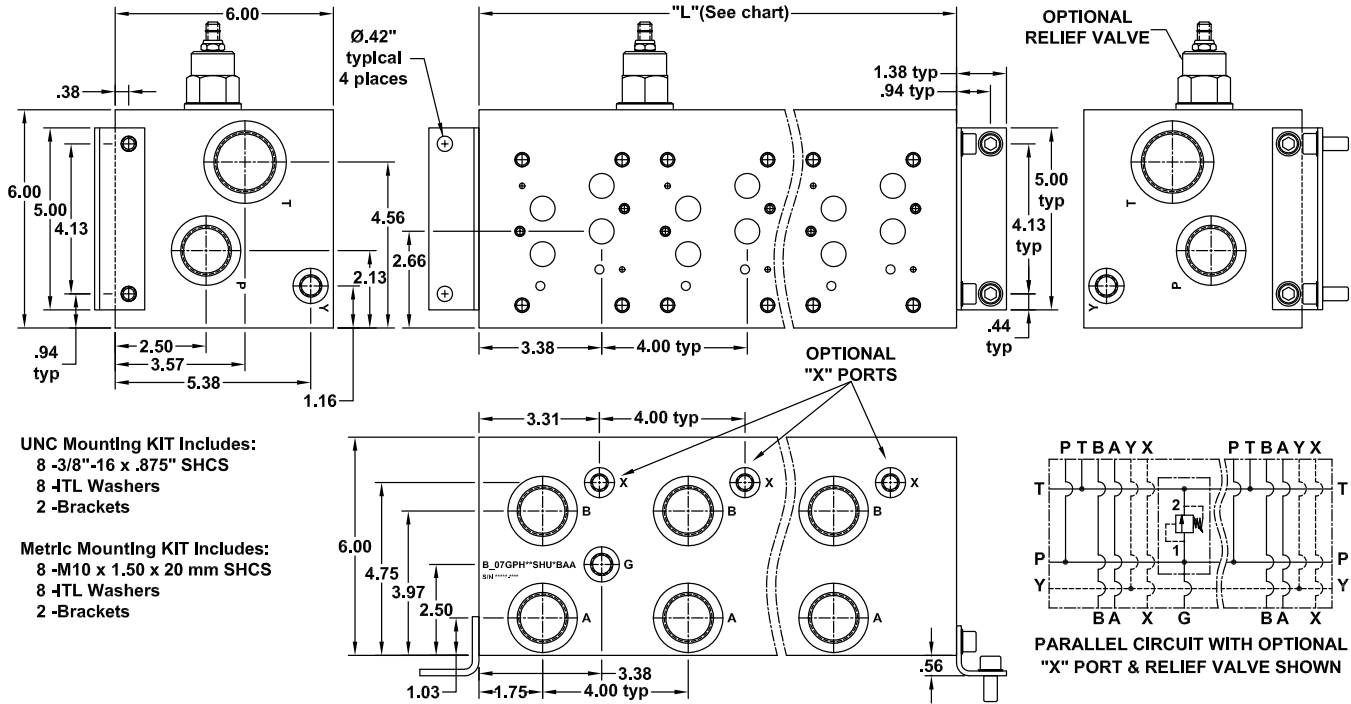


D07 High Flow Parallel Circuit Manifold

(See Page 1.99.01 for Relief Cartridges)



- UNC Mounting KIT Includes:**
 8 -3/8"-16 x .875" SHCS
 8 -ITL Washers
 2 -Brackets
- Metric Mounting KIT Includes:**
 8 -M10 x 1.50 x 20 mm SHCS
 8 -ITL Washers
 2 -Brackets

No. of Stations	1	2	3	4	5	6	7	8	9
Dim. "L", 4.00" spacing	5.13	9.13	13.13	17.13	21.13	25.13	29.13	33.13	37.13
est. weight in lb.- alum	18	31	44	56	69	82	95	108	121
est. weight in lb.- iron	46	81	116	151	186	221	256	291	326

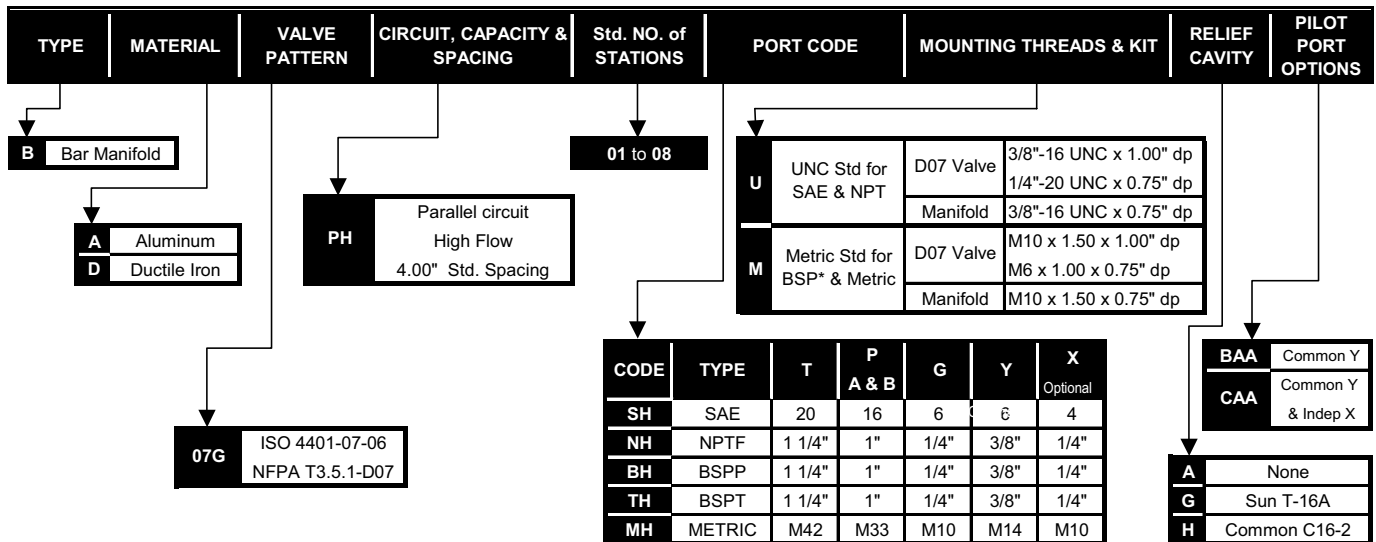
Notes:

- 1) Isolations on P & T available - See Page 5 for Codes
- 2) Common X port available - contact factory for P/N
- 3) Wide Spacing Option - contact factory

SHADED AREA AVAILABLE
ON SPECIAL ORDER ONLY

PART NUMBER SYSTEM

Aluminum D07 with Common Y & SAE porting example: **BA07GPH**SHUABAA**



WE RESERVE THE RIGHT TO DISCONTINUE MODELS, OR CHANGE SPECIFICATIONS WITHOUT NOTICE OR INCURRING OBLIGATION

Lynch Products Can Be Modified to Suit Your Application

Phone: 1 (888) 626-4365 or +1 (905) 363-2400 Fax: 1 (800) 263-5807 www.lynch.ca sales@lynch.ca