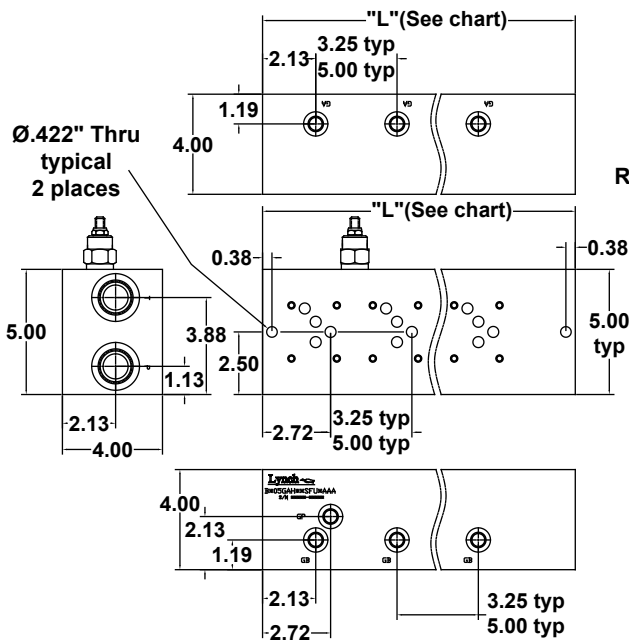


D05 High Flow Bottom Ported Parallel Circuit Manifold

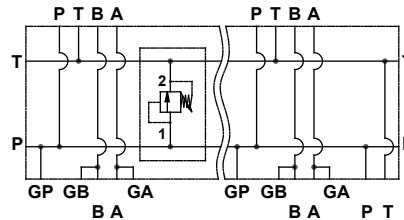
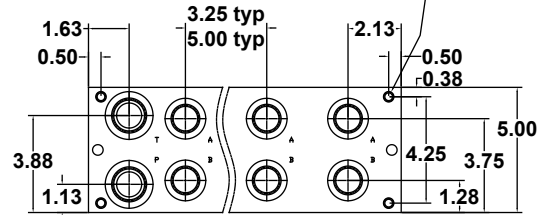


P & T Ports C'Bored for flush plugs.

NOTE: Models available with P & T Omitted on Bottom, Contact Factory.

Tapped Mounting holes typ. 4 places

Optional Relief cavity



Mounting Bolt Kits must be ordered separately.

Gage port are not plugged. Kits must be ordered separately.

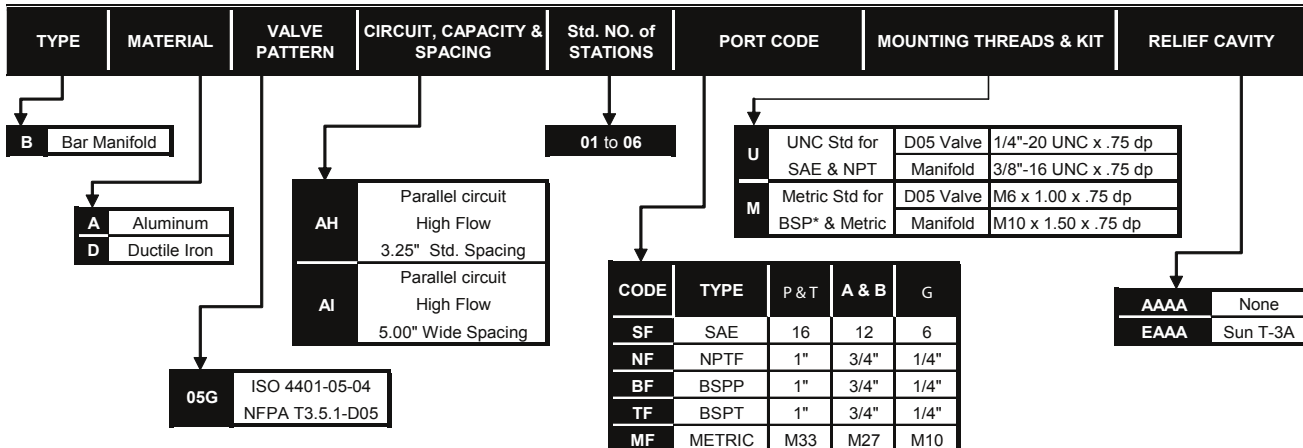
PARALLEL CIRCUIT WITH OPTIONAL RELIEF VALVE SHOWN

| No. of Stations | 1 | 1* | 2 | 3 | 4 | 5 | 6 | 7 | 8 | 9 | 10 | 11 |
|---------------------------|------|------|-------|-------|-------|-------|-------|-------|-------|-------|-------|-------|
| Dim. "L", 3.25" spacing | 6.00 | 6.00 | 9.25 | 12.50 | 15.75 | 19.00 | 22.25 | 25.50 | 28.75 | 32.00 | 35.25 | 38.50 |
| est. weight in lb. - alum | 12 | 12 | 17 | 23 | 29 | 35 | 41 | 47 | 53 | 58 | 64 | 70 |
| est. weight in lb. - iron | 30 | 30 | 46 | 62 | 77 | 93 | 109 | 125 | 140 | 156 | 172 | 188 |
| Dim. "L", 5.00" spacing | - | - | 11.00 | 16.00 | 21.00 | 26.00 | 31.00 | 36.00 | - | - | - | - |
| est. weight in lb. - alum | - | - | 21 | 30 | 39 | 48 | 57 | 66 | - | - | - | - |
| est. weight in lb. - iron | - | - | 54 | 79 | 103 | 127 | 151 | 176 | - | - | - | - |

* DIMENSIONS FOR 1 STATION WITH RELIEF CAVITY & GAUGE PORT
 NO GAUGE PORT SUPPLIED WITH SINGLE STATION MANIFOLD SHADED AREA AVAILABLE ON SPECIAL ORDER ONLY

PART NUMBER SYSTEM

Aluminum D05 with 3.25" Spacing & SAE Porting example: BA05GAH**SFUAAAA



WE RESERVE THE RIGHT TO DISCONTINUE MODELS, OR CHANGE SPECIFICATIONS WITHOUT NOTICE OR INCURRING OBLIGATION

Lynch Products Can Be Modified to Suit Your Application

Phone: 1 (888) 626-4365 or +1 (905) 363-2400 Fax: 1 (800) 263-5807 www.lynch.ca sales@lynch.ca