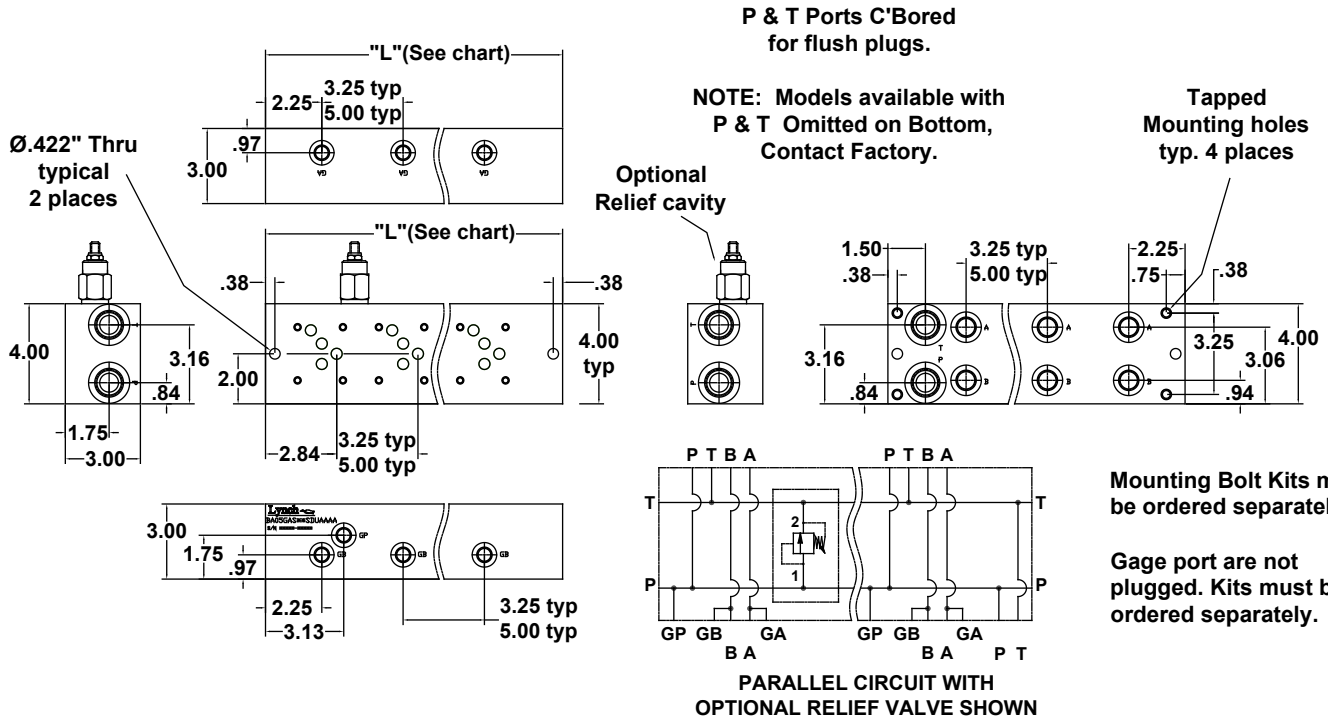


D05 Standard Flow Bottom Ported Parallel Circuit Manifolds

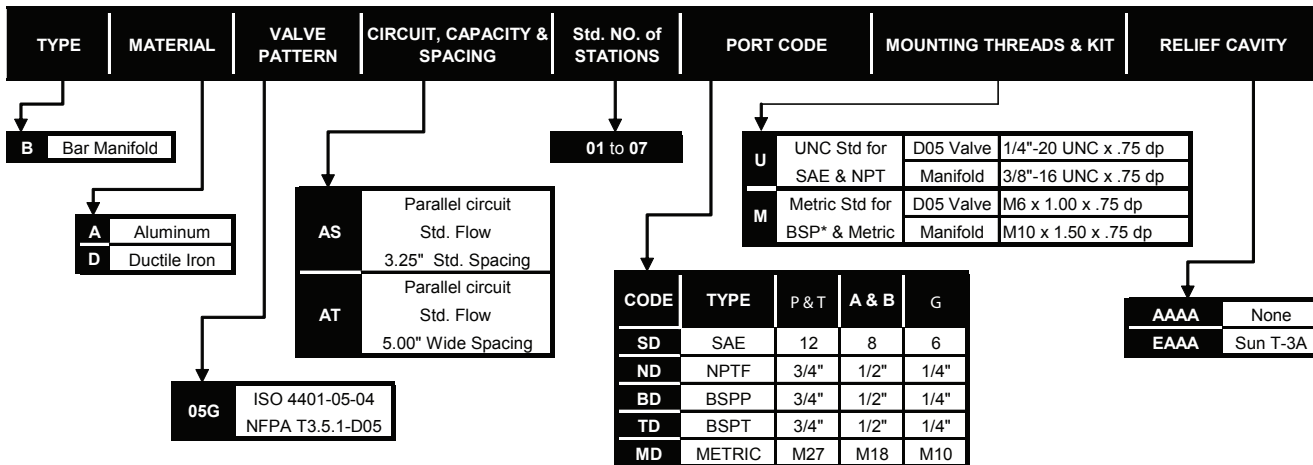


No. of Stations	1	1*	2	3	4	5	6	7	8	9	10	11
Dim. "L", 3.25" spacing	5.38	6.00	8.63	11.88	15.13	18.38	21.63	24.88	28.13	31.38	34.63	37.88
est. weight in lb. - alum	10	12	16	22	28	34	40	46	51	57	63	69
est. weight in lb. - iron	27	30	43	58	74	90	106	122	137	153	169	185
Dim. "L", 5.00" spacing	-	-	10.38	15.38	20.38	25.38	30.38	35.38	-	-	-	-
est. weight in lb. - alum	-	-	19	28	37	46	55	64	-	-	-	-
est. weight in lb. - iron	-	-	51	75	100	124	148	173	-	-	-	-

* DIMENSIONS FOR 1 STATION WITH RELIEF CAVITY & GAUGE PORT
 NO GAUGE PORT SUPPLIED WITH SINGLE STATION MANIFOLD SHADED AREA AVAILABLE ON SPECIAL ORDER ONLY

PART NUMBER SYSTEM

Aluminum D05 with 3.25" Spacing & SAE Porting example: BA05GAS**SFUAAAA



WE RESERVE THE RIGHT TO DISCONTINUE MODELS, OR CHANGE SPECIFICATIONS WITHOUT NOTICE OR INCURRING OBLIGATION

Lynch Products Can Be Modified to Suit Your Application

Phone: 1 (888) 626-4365 or +1 (905) 363-2400 Fax: 1 (800) 263-5807 www.lynch.ca sales@lynch.ca