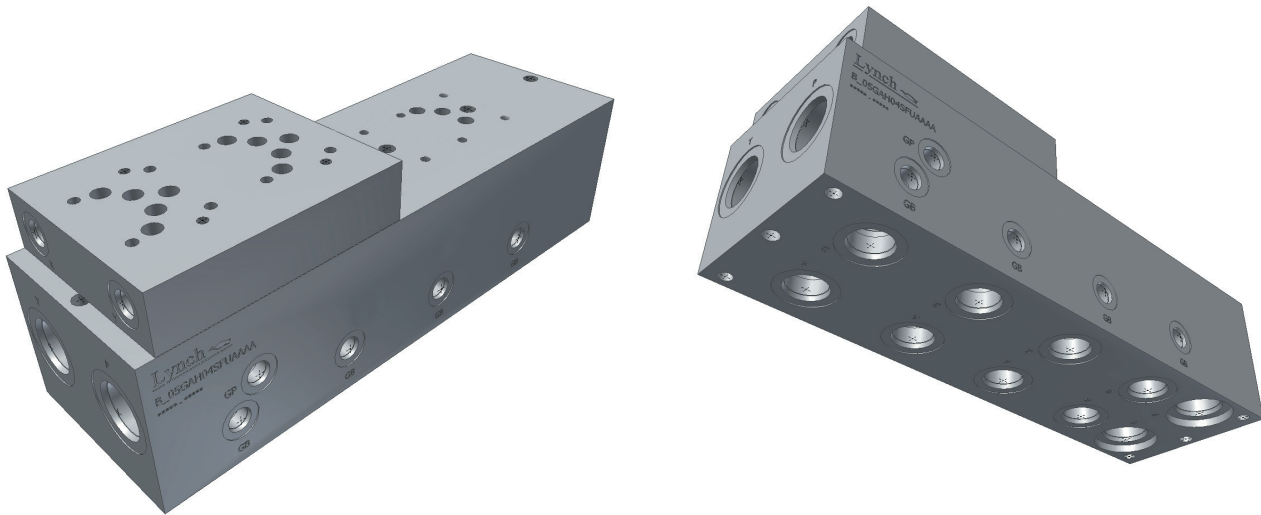


Flexible Assemblies with D05 Pilot Port Adapters

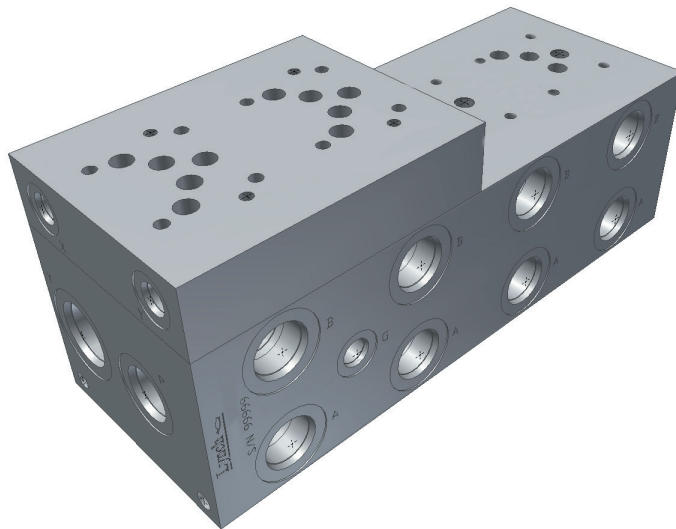
Convert any standard D05 non piloted manifold using the pilot port adapters.
Only order the number of stations you require for your high flow valves.

Reduce your costs and inventory levels with our flexible assemblies.

Example #1: B*05GAH04SFUAAA -Plus- A*05EZV02SCUADAA



Example #2: B*05GPH04SFUAAA -Plus- A*05EZV02SCUADAA



WE RESERVE THE RIGHT TO DISCONTINUE MODELS, OR CHANGE SPECIFICATIONS WITHOUT NOTICE OR INCURRING OBLIGATION

Lynch Products Can Be Modified to Suit Your Application

Phone: 1 (888) 626-4365 or +1 (905) 363-2400 Fax: 1 (800) 263-5807 www.lynch.ca sales@lynch.ca