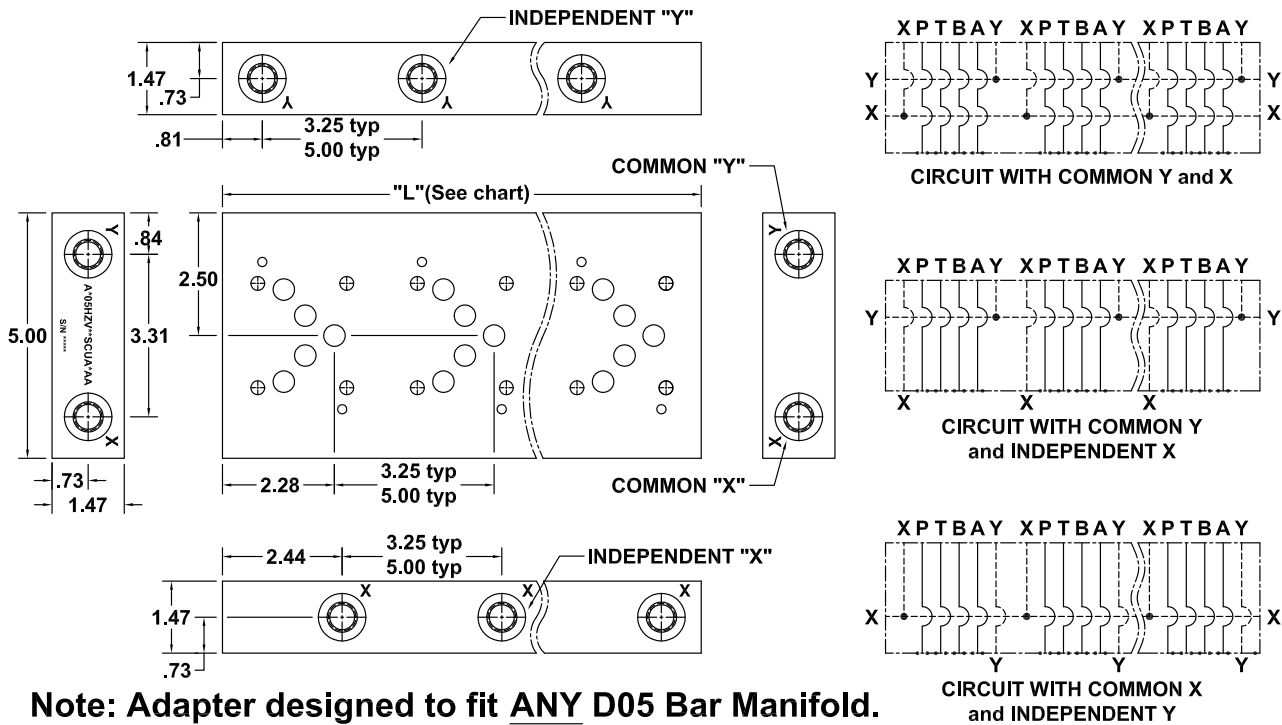


## D05H Pilot Port Adapter for Bar Manifolds



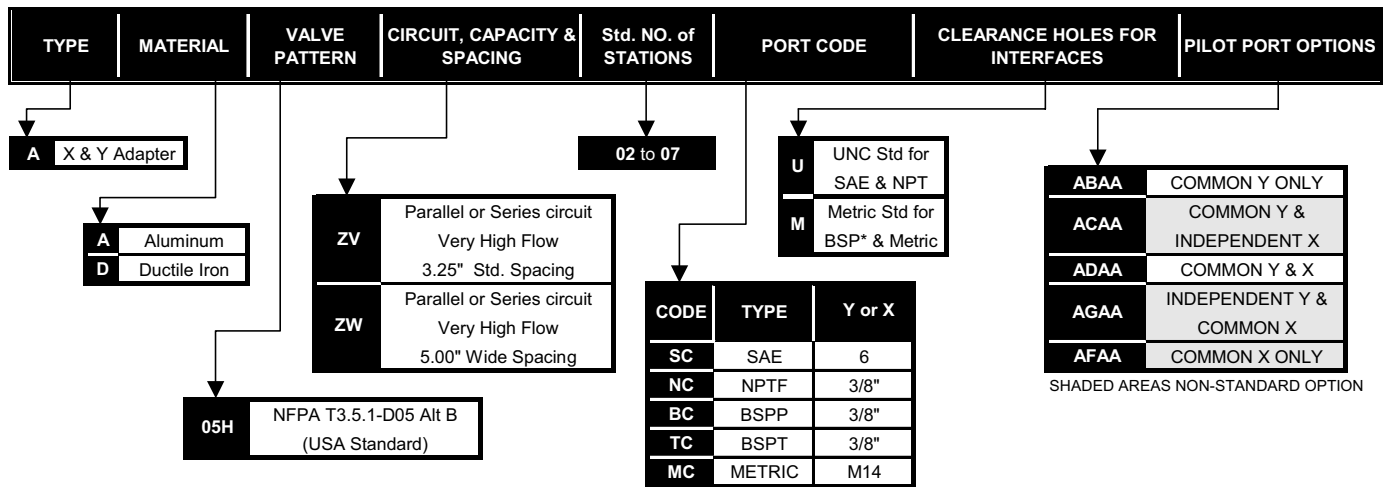
Note: Adapter designed to fit ANY D05 Bar Manifold.

No. of Stations	2	3	4	5	6	7	8	9	10	11	12	13	14	15	16
Dim. "L", 3.25" spacing	6.50	9.75	13.00	16.25	19.50	22.75	26.00	29.25	32.50	35.75	39.00	42.25	45.50	48.75	52.00
est. weight in lb.- alum	4	7	9	11	13	15	18	20	22	24	26	29	31	33	35
est. weight in lb.- iron	12	18	24	30	36	41	47	53	59	65	71	77	83	89	95
Dim. "L", 5.00" spacing	8.25	13.25	18.25	23.25	28.25	33.25	38.25	43.25	48.25	53.25	58.25	63.25	68.25	-	-
est. weight in lb.- alum	6	9	12	16	19	22	26	29	33	36	39	43	46	-	-
est. weight in lb.- iron	15	24	33	42	51	61	70	79	88	97	106	115	124	-	-

SHADED AREA AVAILABLE ON SPECIAL ORDER ONLY

### PART NUMBER SYSTEM

Aluminum D05H with 3.25" Spacing, Common Y with SAE Porting example : AA05HZV\*\*SCUABAA



WE RESERVE THE RIGHT TO DISCONTINUE MODELS, OR CHANGE SPECIFICATIONS WITHOUT NOTICE OR INCURRING OBLIGATION

Lynch Products Can Be Modified to Suit Your Application

Phone: 1 (888) 626-4365 or +1 (905) 363-2400 Fax: 1 (800) 263-5807 www.lynch.ca sales@lynch.ca