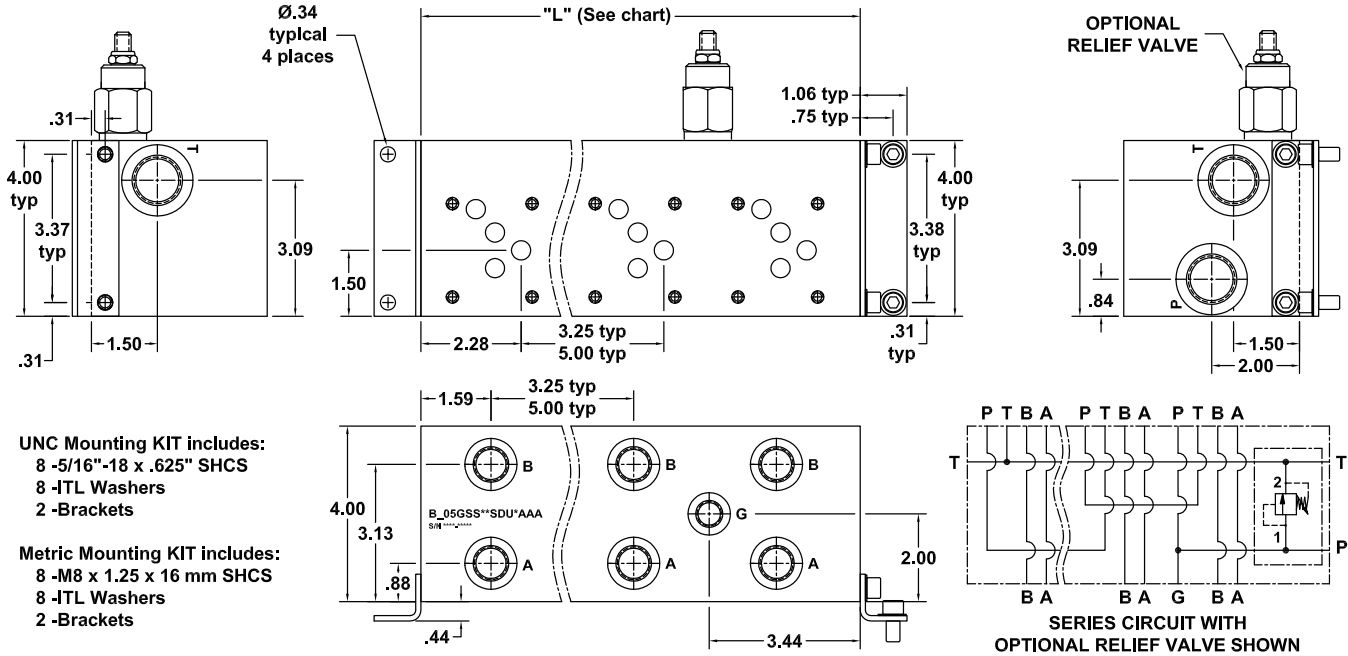


D05 Standard Flow Series Circuit Manifold

(See Page 1.99.01 for Relief Cartridges)

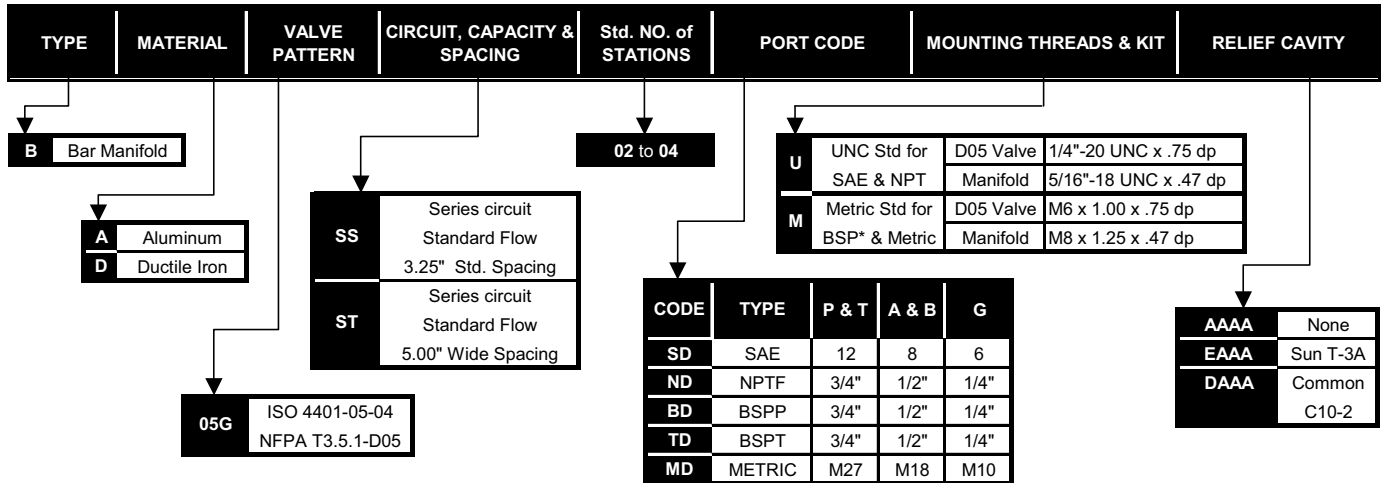


| No. of Stations | 2 | 3 | 4 | 5 | 6 |
|--------------------------|------|-------|-------|-------|-------|
| Dim. "L", 3.25" spacing | 6.75 | 10.00 | 13.25 | 16.50 | 19.75 |
| est. weight in lb.- alum | 10 | 15 | 20 | 25 | 29 |
| est. weight in lb.- iron | 27 | 40 | 52 | 65 | 78 |
| Dim. "L", 5.00" spacing | 8.50 | 13.50 | 18.50 | 23.50 | 28.50 |
| est. weight in lb.- alum | 13 | 20 | 27 | 35 | 42 |
| est. weight in lb.- iron | 34 | 53 | 73 | 92 | 112 |

- NOTES:** 1) FOR PILOT PORT OPTIONS SEE D05 BAR MANIFOLD ADAPTER SHEETS ON PAGES 1.03.11 & 1.03.12
2) SPECIAL VERSION WITH ALL SAE 12 PORTS IS AVAILABLE WITH SAME DIMENSIONS BY USING PORT CODE "SF"
3) P-T MAIN SYSTEM RELIEF AVAILABLE AS A STANDARD OPTION

PART NUMBER SYSTEM

Aluminum D05 with 3.25" spacing and SAE porting example: **BA05GSS**SDUAAAA**



WE RESERVE THE RIGHT TO DISCONTINUE MODELS, OR CHANGE SPECIFICATIONS WITHOUT NOTICE OR INCURRING OBLIGATION

Lynch Products Can Be Modified to Suit Your Application

Phone: 1 (888) 626-4365 or +1 (905) 363-2400 Fax: 1 (800) 263-5807 www.lynch.ca sales@lynch.ca