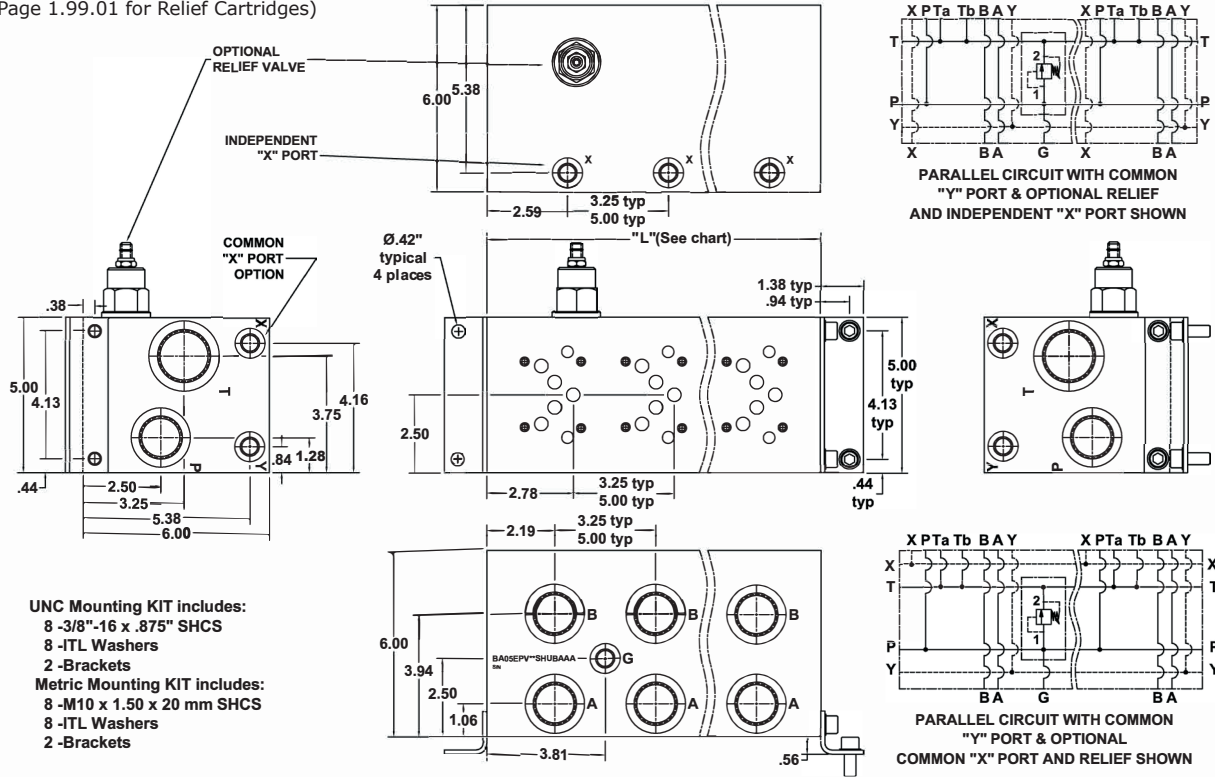


## D05HE Very High Flow Parallel Circuit with X&Y

(See Page 1.99.01 for Relief Cartridges)



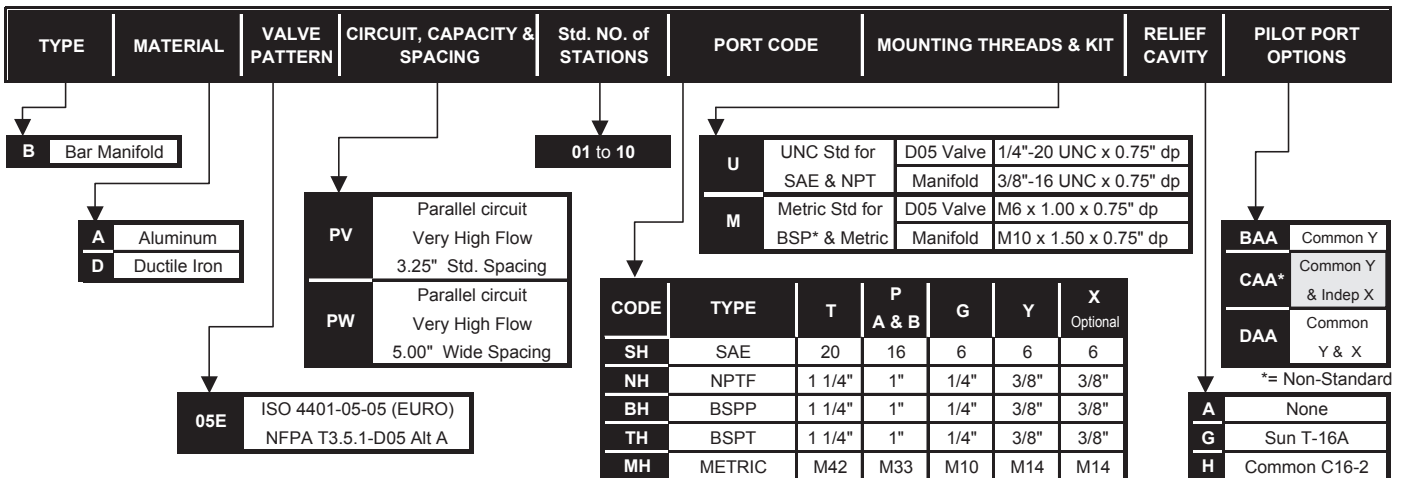
- UNC Mounting KIT includes:**  
8 -3/8"-16 x .875" SHCS  
8 -ITL Washers  
2 -Brackets
- Metric Mounting KIT includes:**  
8 -M10 x 1.50 x 20 mm SHCS  
8 -ITL Washers  
2 -Brackets

No. of Stations	1	1*	2	3	4	5	6	7	8	9	10	11
Dim. "L", 3.25" spacing	4.25	5.50	7.50	10.75	14.00	17.25	20.50	23.75	27.00	30.25	33.50	36.75
est. weight in lb.- alum	13	16	22	31	41	50	59	68	78	87	96	105
est. weight in lb.- iron	33	43	58	83	108	133	158	184	209	234	259	284
Dim. "L", 5.00" spacing	-	-	9.25	14.25	19.25	24.25	29.25	34.25	39.25	-	-	-
est. weight in lb.- alum	-	-	27	41	56	70	84	98	113	-	-	-
est. weight in lb.- iron	-	-	72	110	149	187	226	264	303	-	-	-

\* DIMENSIONS FOR 1 STATION WITH RELIEF CAVITY & GAUGE PORT  
SHADED AREA AVAILABLE ON SPECIAL ORDER ONLY  
NO GAUGE PORT SUPPLIED WITH SINGLE STATION MANIFOLD

### PART NUMBER SYSTEM

Aluminum D05HE with 3.25" Spacing, Common Y & SAE porting example: **BA05EPV\*\*SHUABAA**



WE RESERVE THE RIGHT TO DISCONTINUE MODELS, OR CHANGE SPECIFICATIONS WITHOUT NOTICE OR INCURRING OBLIGATION

Lynch Products Can Be Modified to Suit Your Application

Phone: 1 (888) 626-4365 or +1 (905) 363-2400 Fax: 1 (800) 263-5807 www.lynch.ca sales@lynch.ca