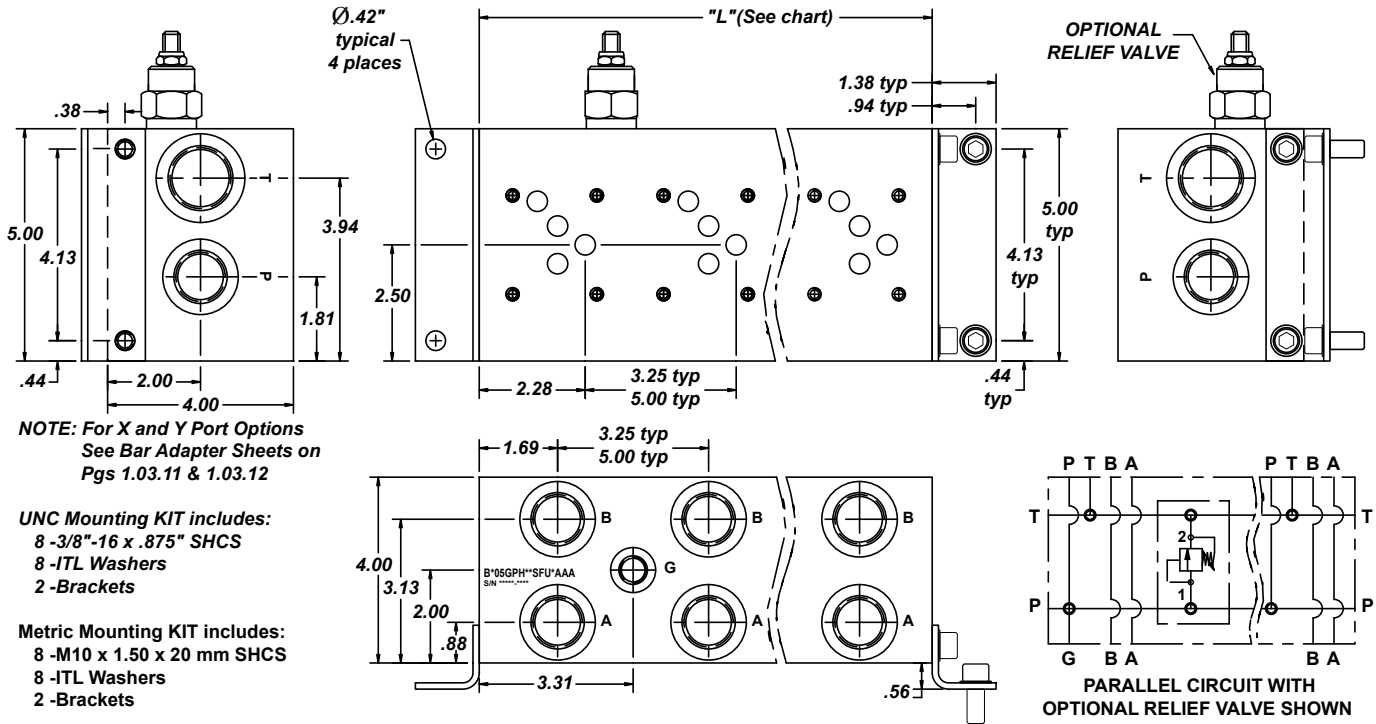


# D05 High Flow Parallel Circuit Manifold

(See Page 1.99.01 for Relief Cartridges)



NOTE: For X and Y Port Options  
See Bar Adapter Sheets on  
Pgs 1.03.11 & 1.03.12

UNC Mounting KIT includes:  
8 -3/8"-16 x .875" SHCS  
8 -ITL Washers  
2 -Brackets

Metric Mounting KIT includes:  
8 -M10 x 1.50 x 20 mm SHCS  
8 -ITL Washers  
2 -Brackets

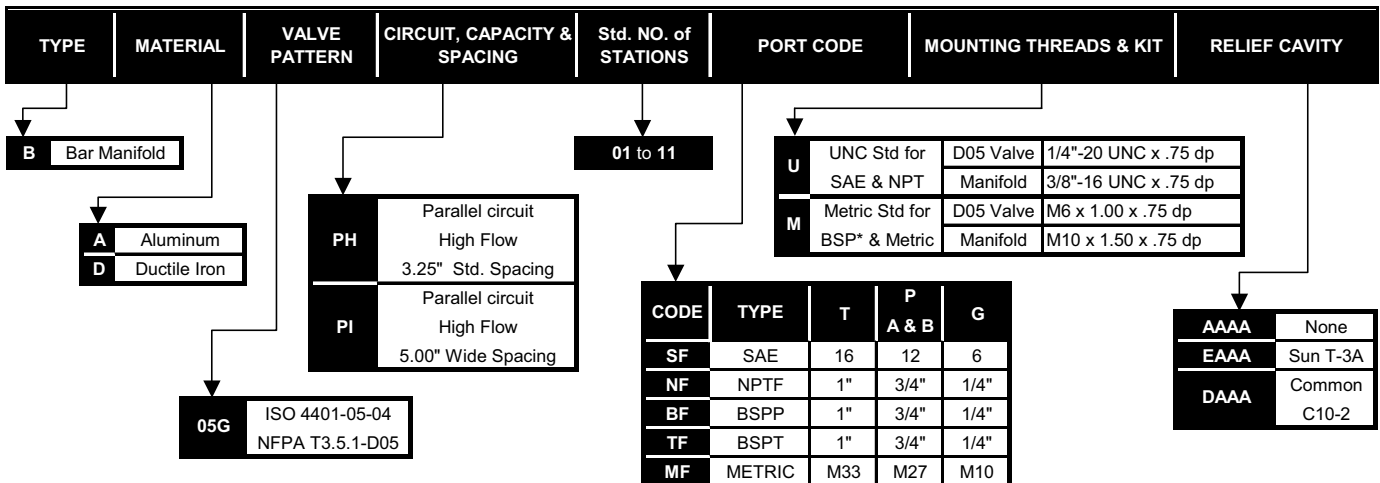
No. of Stations	1	1*	2	3	4	5	6	7	8	9	10	11	12	13	14	15	16
Dim. "L", 3.25" spacing	3.50	4.50	6.75	10.00	13.25	16.50	19.75	23.00	26.25	29.50	32.75	36.00	39.25	42.50	45.75	49.00	52.25
est. weight in lb.- alum	7	9	13	19	25	30	36	42	48	54	60	66	71	77	83	89	95
est. weight in lb.- iron	18	23	34	49	65	81	97	113	128	144	160	176	192	207	223	239	255
Dim. "L", 5.00" spacing	-	-	8.50	13.50	18.50	23.50	28.50	33.50	38.50	43.50	48.50	53.50	58.50	63.50	68.50	-	-
est. weight in lb.- alum	-	-	16	25	34	43	52	61	70	79	88	97	106	115	124	-	-
est. weight in lb.- iron	-	-	42	66	91	115	139	164	188	212	236	261	285	309	334	-	-

\* DIMENSIONS FOR 1 STATION WITH RELIEF CAVITY & GAUGE PORT  
NO GAUGE PORT SUPPLIED WITH SINGLE STATION MANIFOLD

SHADED AREA AVAILABLE ON SPECIAL ORDER ONLY

## PART NUMBER SYSTEM

Aluminum D05 with 3.25" Spacing & SAE Porting example: BA05GPH\*\*SFUAAAA



WE RESERVE THE RIGHT TO DISCONTINUE MODELS, OR CHANGE SPECIFICATIONS WITHOUT NOTICE OR INCURRING OBLIGATION

Lynch Products Can Be Modified to Suit Your Application