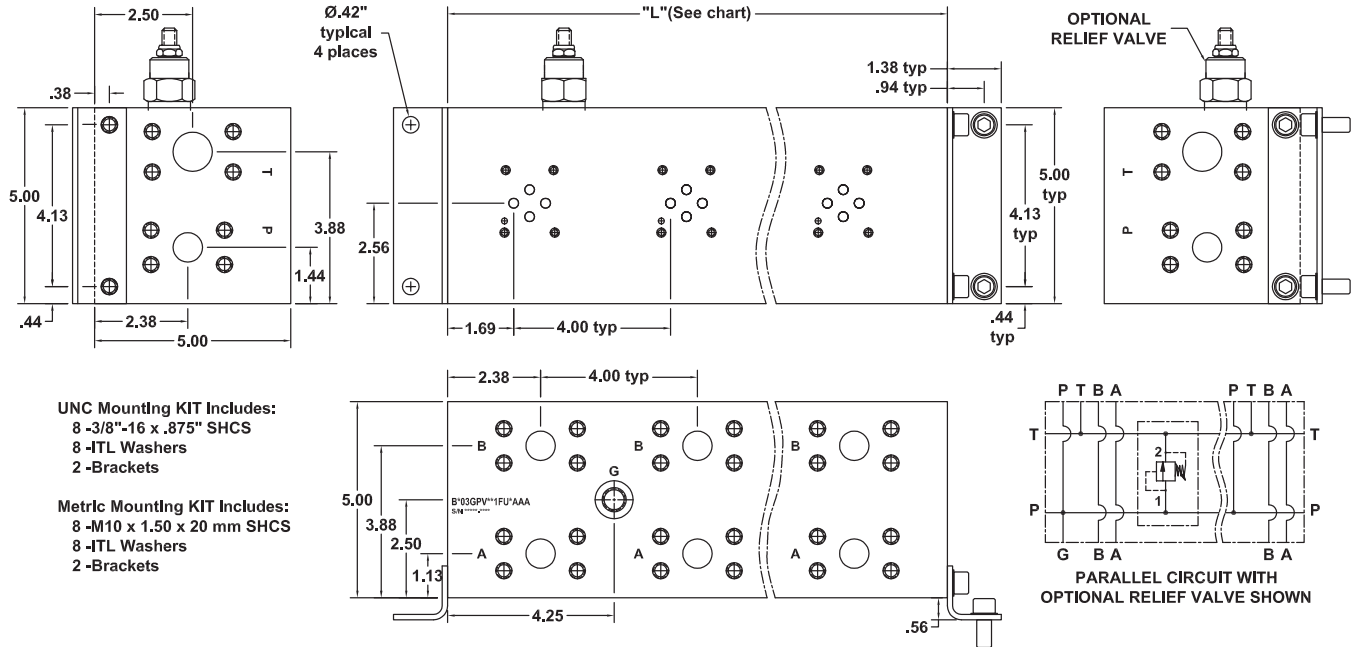


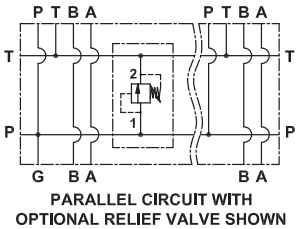
D03 Very High Flow Parallel Circuit with Flange Ports

(See Page 1.99.01 for Relief Cartridges)



UNC Mounting KIT Includes:
 8 -3/8"-16 x .875" SHCS
 8 -ITL Washers
 2 -Brackets

Metric Mounting KIT Includes:
 8 -M10 x 1.50 x 20 mm SHCS
 8 -ITL Washers
 2 -Brackets

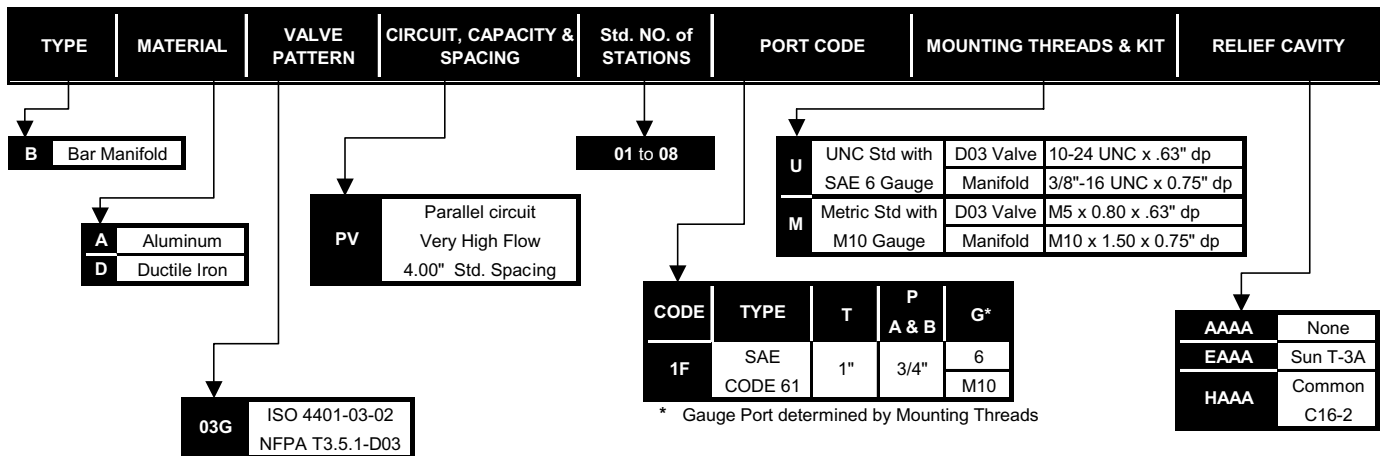


No. of Stations	1*	1**	2	3	4	5	6	7	8	9
Dim. "L", 4.00" spacing	4.75	5.50	8.75	12.75	16.75	20.75	24.75	28.75	32.75	36.75
est. weight in lb.- alum	11	14	20	29	38	47	56	65	74	83
est. weight in lb.- iron	28	38	52	76	101	125	149	174	198	222

** DIMENSIONS FOR 1 STATION WITH C10-2 RELIEF CAVITY
 * DIMENSIONS FOR 1 STATION WITH T-3A RELIEF CAVITY
 SHADED AREA AVAILABLE ON SPECIAL ORDER ONLY

PART NUMBER SYSTEM

Aluminum D03 with 4.00" Spacing & UNC Mounting example: BA03GP**1FUAAAA



WE RESERVE THE RIGHT TO DISCONTINUE MODELS, OR CHANGE SPECIFICATIONS WITHOUT NOTICE OR INCURRING OBLIGATION

Lynch Products Can Be Modified to Suit Your Application

Phone: 1 (888) 626-4365 or +1 (905) 363-2400 Fax: 1 (800) 263-5807 www.lynch.ca sales@lynch.ca