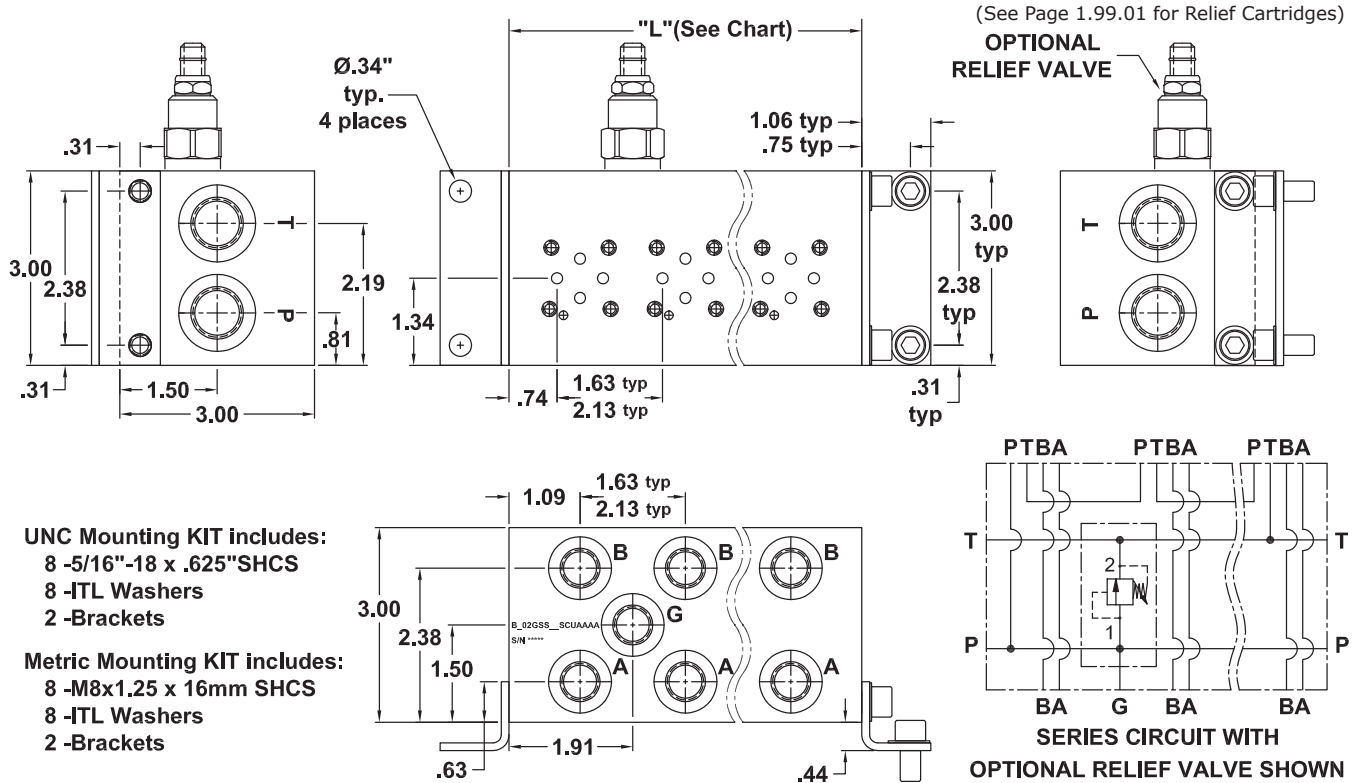


D02 Standard Flow Series Circuit Manifold

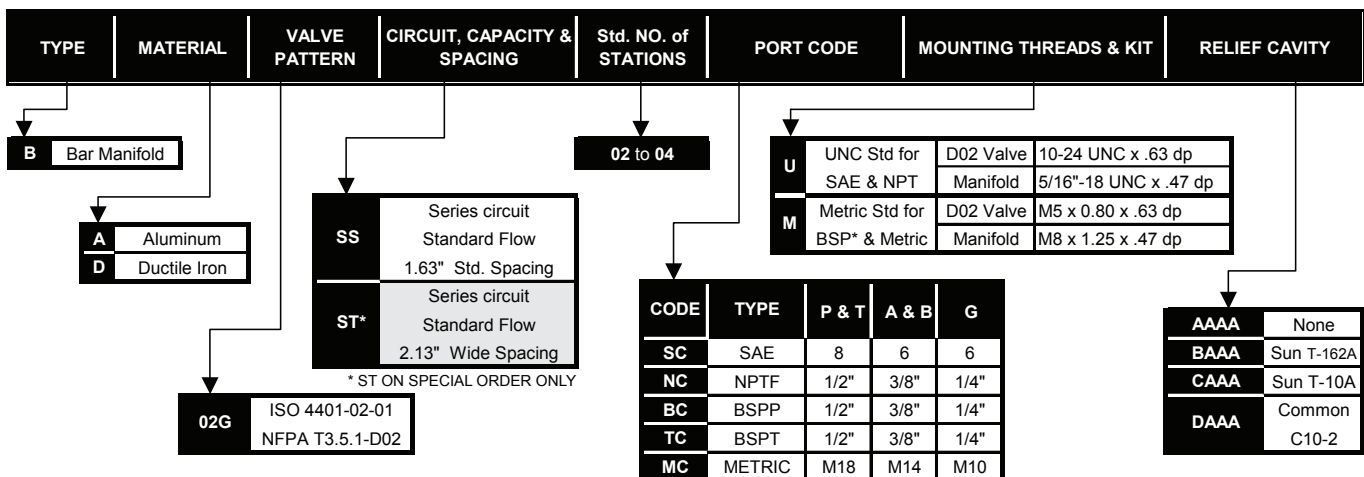


No. of Stations	2	3	4	5	6	7	8	9	10	11	12	13	14	15	16
Dim. "L", 1.63" spacing	3.81	5.44	7.06	8.69	10.31	11.94	13.56	15.19	16.81	18.44	20.06	21.69	23.31	24.94	26.56
est. weight in lb.- alum	4	5	7	8	9	11	12	13	15	16	17	19	20	21	23
est. weight in lb.- iron	9	13	16	20	24	27	31	34	38	41	45	48	52	56	59
Dim. "L", 2.13" spacing	4.31	6.44	8.56	10.69	12.81	14.94	17.06	19.19	21.31	23.44	25.56	27.69	29.81	31.94	34.06
est. weight in lb.- alum	4	6	8	10	11	13	15	17	18	20	22	23	25	27	29
est. weight in lb.- iron	10	15	20	24	29	34	38	43	48	52	57	62	66	71	75

SHADED AREA AVAILABLE ON SPECIAL ORDER ONLY

PART NUMBER SYSTEM

Aluminum D02 with 1.63" Spacing & SAE Porting example: **BA02GSS**SCUAAAA**



WE RESERVE THE RIGHT TO DISCONTINUE MODELS, OR CHANGE SPECIFICATIONS WITHOUT NOTICE OR INCURRING OBLIGATION

Lynch Products Can Be Modified to Suit Your Application

Phone: 1 (888) 626-4365 or +1 (905) 363-2400 Fax: 1 (800) 263-5807 www.lynch.ca sales@lynch.ca