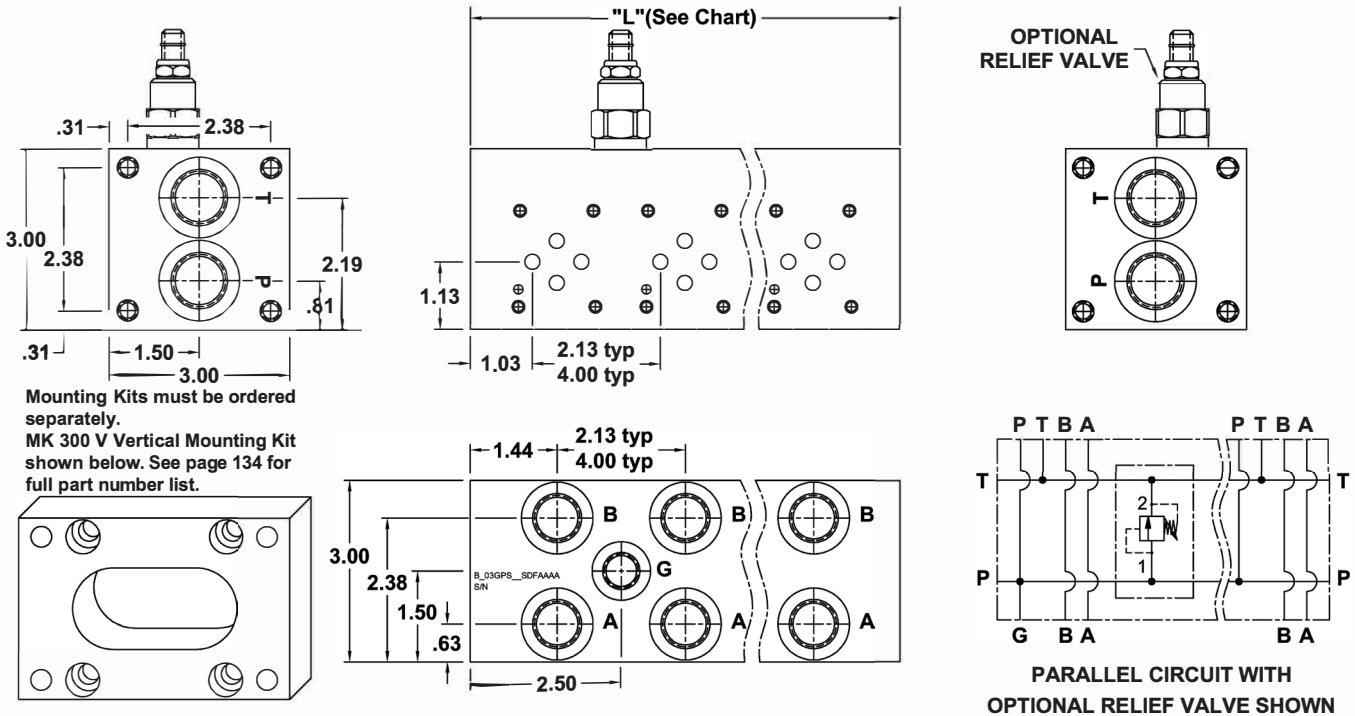


D03 Std Flow Parallel Circuit Manifold (4 Bolt)

Note: Extra length ensures P & T galleries from interface are not obstructed by the end port fittings

(See Page 1.99.01 for Relief Cartridges)



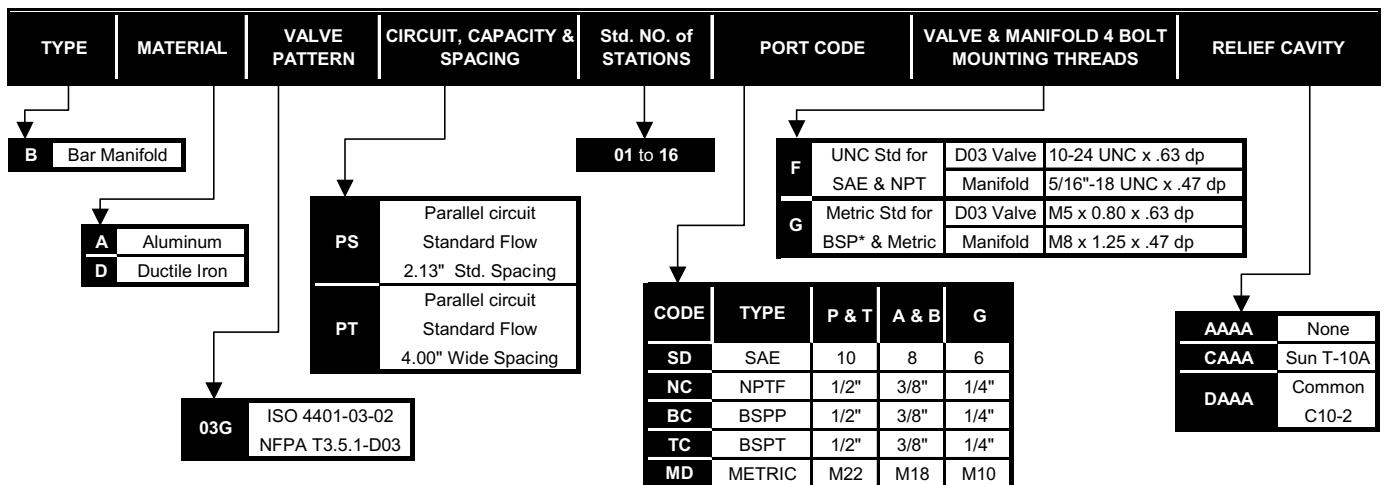
No. of Stations	1	1*	2	3	4	5	6	7	8	9	10	11	12	13	14	15	16
Dim. "L", 2.13" spacing	2.88	3.63	5.00	7.13	9.25	11.38	13.50	15.63	17.75	19.88	22.00	24.13	26.25	28.38	30.50	32.63	34.75
est. weight in lb.- alum	3	4	5	7	8	10	12	13	15	17	19	20	22	24	25	27	29
est. weight in lb.- iron	7	8	11	15	19	24	28	32	37	41	45	49	54	58	62	67	71
Dim. "L", 4.00" spacing	-	-	6.88	10.88	14.88	18.88	22.88	26.88	30.88	34.88	38.88	-	-	-	-	-	-
est. weight in lb.- alum	-	-	6	10	13	16	19	23	26	29	32	-	-	-	-	-	-
est. weight in lb.- iron	-	-	15	23	31	39	47	55	63	71	79	-	-	-	-	-	-

* DIMENSIONS FOR 1 STATION WITH RELIEF CAVITY & GAUGE PORT
NO GAUGE PORT SUPPLIED WITH SINGLE STATION MANIFOLD

SHADED AREA AVAILABLE ON SPECIAL ORDER ONLY

PART NUMBER SYSTEM

Aluminum D03 with 2.13" Spacing & SAE Porting example: BA03GPS**SDFAAAA



WE RESERVE THE RIGHT TO DISCONTINUE MODELS, OR CHANGE SPECIFICATIONS WITHOUT NOTICE OR INCURRING OBLIGATION

Lynch Products Can Be Modified to Suit Your Application

Phone: 1 (888) 626-4365 or +1 (905) 363-2400 Fax: 1 (800) 263-5807 www.lynch.ca sales@lynch.ca