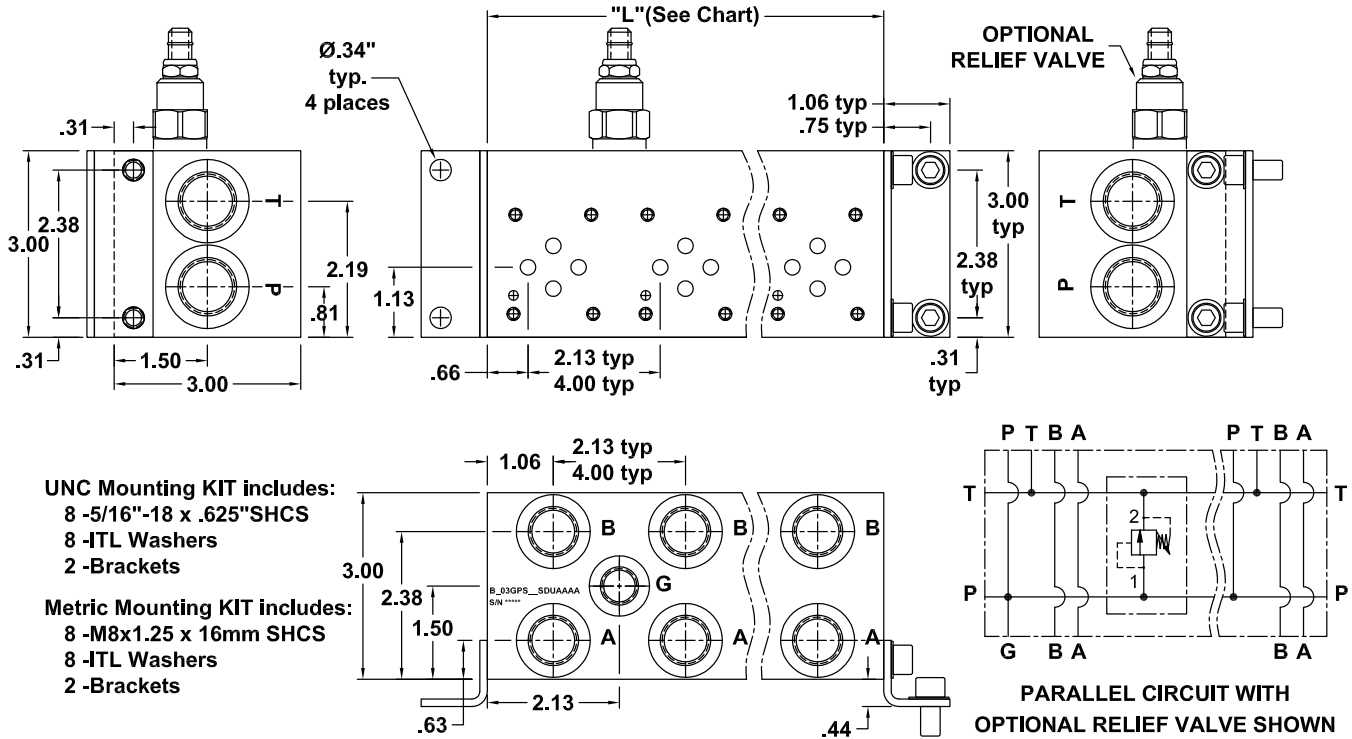


D03 Standard Flow Parallel Circuit Manifold

(See Page 1.99.01 for Relief Cartridges)

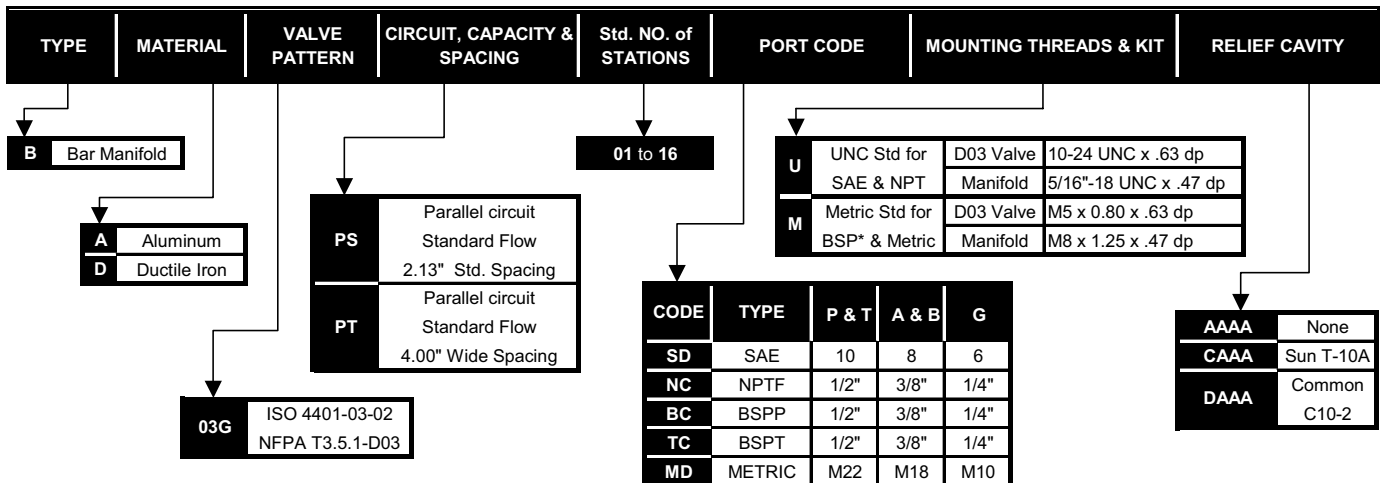


No. of Stations	1	1*	2	3	4	5	6	7	8	9	10	11	12	13	14	15	16
Dim. "L", 2.13" spacing	2.13	3.25	4.25	6.38	8.50	10.63	12.75	14.88	17.00	19.13	21.25	23.38	25.50	27.63	29.75	31.88	34.00
est. weight in lb.- alum	3	4	4	6	8	9	11	12	14	16	18	20	21	22	24	26	27
est. weight in lb.- iron	5	7	9	13	17	21	26	30	34	38	42	47	51	55	59	63	68
Dim. "L", 4.00" spacing	-	-	6.13	10.13	14.13	18.13	22.13	26.13	30.13	34.13	38.13	-	-	-	-	-	-
est. weight in lb.- alum	-	-	6	9	12	15	19	22	25	28	32	-	-	-	-	-	-
est. weight in lb.- iron	-	-	12	20	28	36	45	53	61	69	78	-	-	-	-	-	-

* DIMENSIONS FOR 1 STATION WITH RELIEF CAVITY & GAUGE PORT
NO GAUGE PORT SUPPLIED WITH SINGLE STATION MANIFOLD
SHADED AREA AVAILABLE ON SPECIAL ORDER ONLY

PART NUMBER SYSTEM

Aluminum D03 with 2.13" Spacing & SAE Porting example: BA03GPS**SDUAAAA



WE RESERVE THE RIGHT TO DISCONTINUE MODELS, OR CHANGE SPECIFICATIONS WITHOUT NOTICE OR INCURRING OBLIGATION

Lynch Products Can Be Modified to Suit Your Application