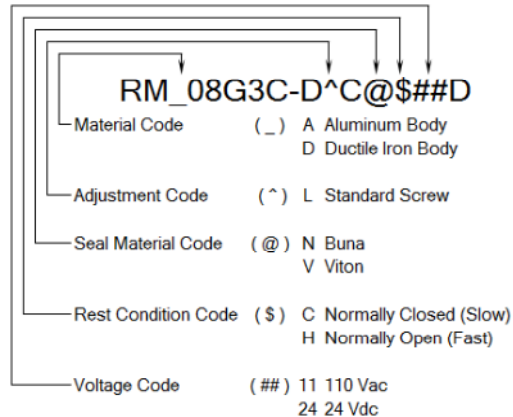
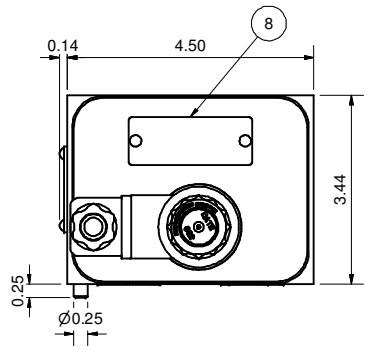
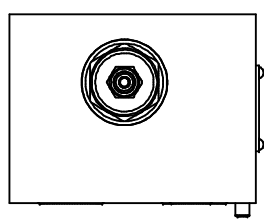
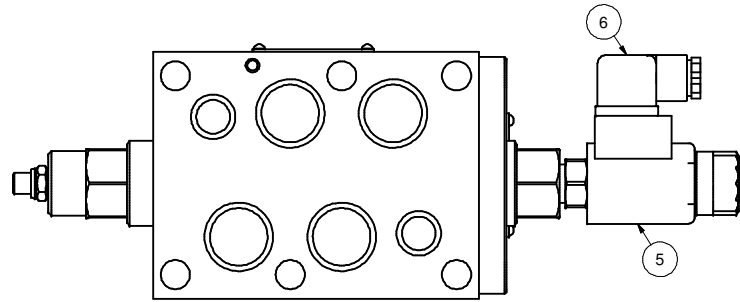
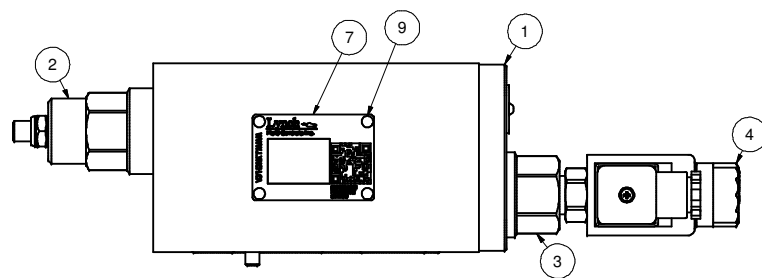
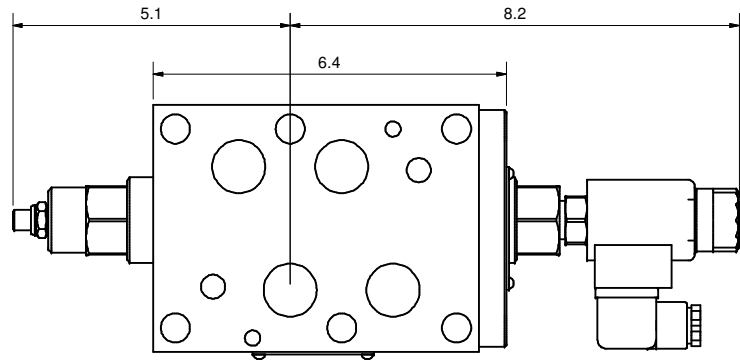
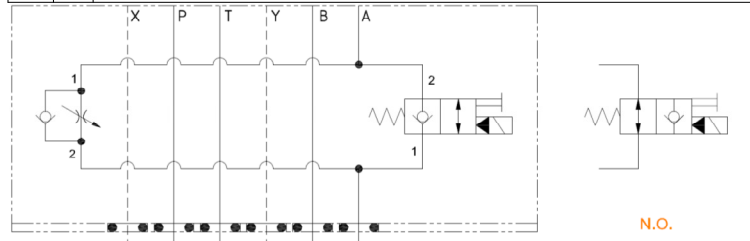


### MODEL CODE BREAKDOWN



DWG NO	RM_08G3C-D^C@\$\$#D	REV	-
MODEL CODE	RM_08G3C-D^C@\$\$#D		
PROPRIETARY NOTICE THIS DRAWING DESCRIBES A PROPRIETARY PRODUCT OF LYNCH FLUID CONTROLS INC. WHICH MAY NOT BE REPRODUCED IN WHOLE OR IN PART NOR GIVEN TO A THIRD PARTY WITHOUT WRITTEN PERMISSION FROM LYNCH FLUID CONTROLS INC.		TITLE <b>2 Speed D08 Sandwich Module</b> M/I A <b>Pilot Operated Poppet</b> <b>Needle w/ FF Check</b>	
DATA UNIT: INCH	3RD ANGLE PROJECTION		

ITEM QTY		DESCRIPTION
1	1	Manifold Body
2	1	[Flow Control] Fully adjustable needle valve with reverse flow check
3	1	[Main Stage] 2-way, poppet directional valve with integral T-8A control cavity - control 2-1
4	1	[Solenoid] 2-way, solenoid-operated directional spool valve - pilot capacity
5	1	Coil
6	1	Connector
7	1	Nameplate
8	1	Nameplate
9	6	Screws

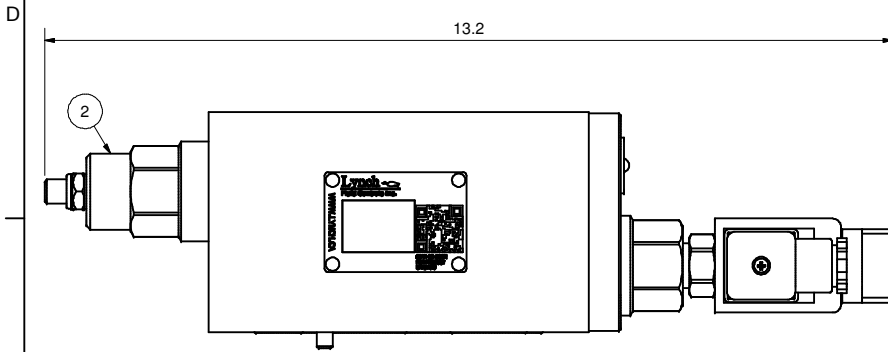


DWG NO RM\_08G3C-D^C@\$\$#D

4 3 2 1

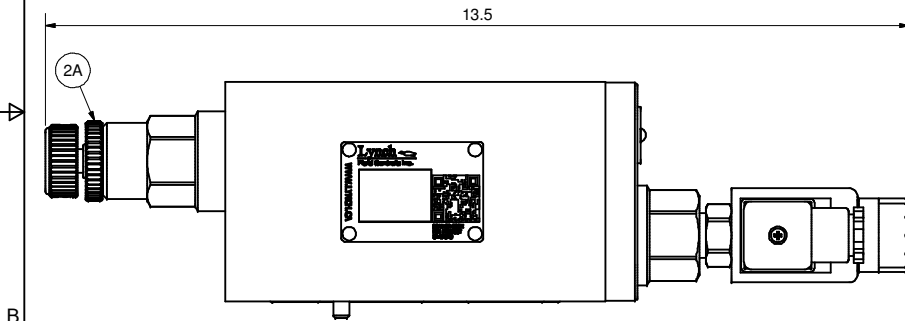
D C B A

### L - Standard Screw



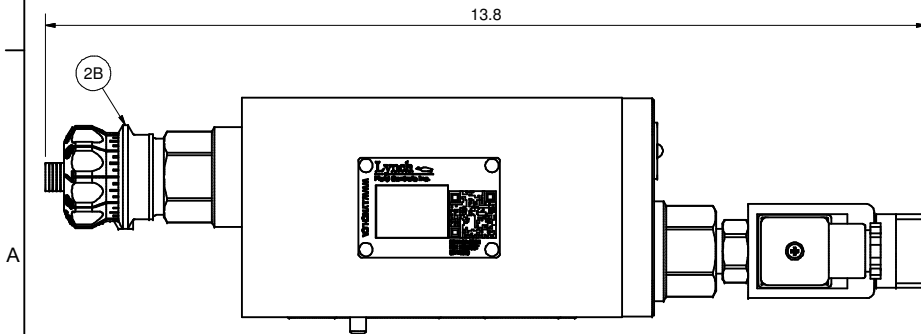
### K - Hand-Knob

Non-Standard Option: Order Standard L control w/ 991 211 Kit



### H - Calibrated Hand-Knob

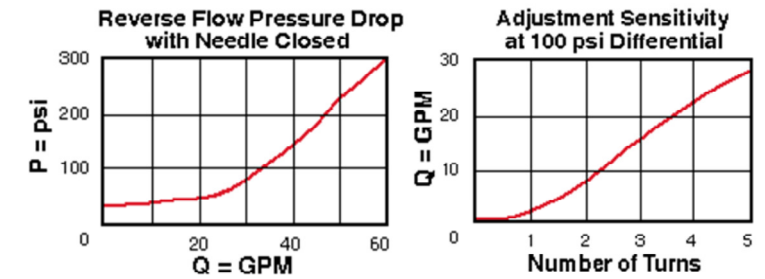
Non-Standard Option



DWG NO	RM_08G3C-D^C@##D	REV	-
MODEL CODE	RM_08G3C-D^C@##D		
<b>PROPRIETARY NOTICE</b> THIS DRAWING DESCRIBES A PROPRIETARY PRODUCT OF LYNCH FLUID CONTROLS INC. WHICH MAY NOT BE REPRODUCED IN WHOLE OR IN PART NOR GIVEN TO A THIRD PARTY WITHOUT WRITTEN PERMISSION FROM LYNCH FLUID CONTROLS INC.		<b>TITLE</b> Technical Data & Non-Standard Options	
DATA UNIT: INCH	3RD ANGLE PROJECTION		

ITEM		QTY	DESCRIPTION
Bill of Material			
2	1	[Flow Control]	Fully adjustable needle valve with reverse flow check
2A	1	[Flow Control]	Fully adjustable needle valve with reverse flow check [Hand-Knob]
2B	1	[Flow Control]	Fully adjustable needle valve with reverse flow check [Calibrated Hand-Knob]

### Flow Control



### Main Stage

