

MODEL CODE BREAKDOWN

RM_08G3A-D^C@\$\$#D

Material Code () A Aluminum Body
D Ductile Iron Body

Adjustment Code (^) L Standard Screw

Seal Material Code (@) N Buna
V Viton

Rest Condition Code (\$) C Normally Closed (Slow)
H Normally Open (Fast)

Voltage Code (##) 11 110 Vac
24 24 Vdc

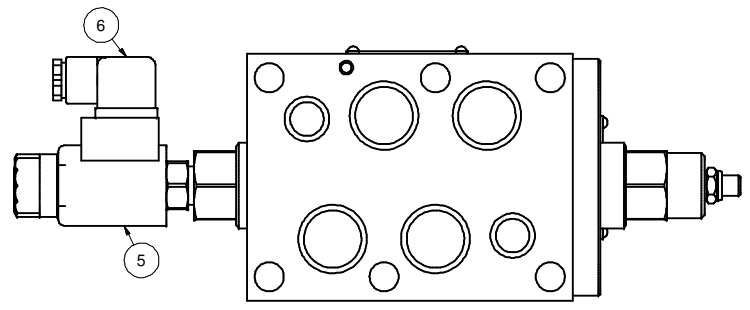
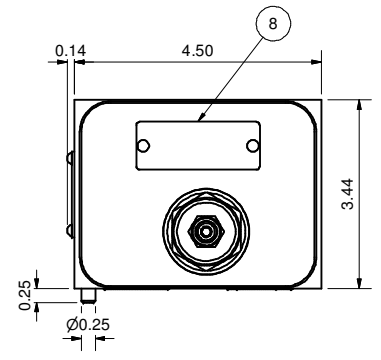
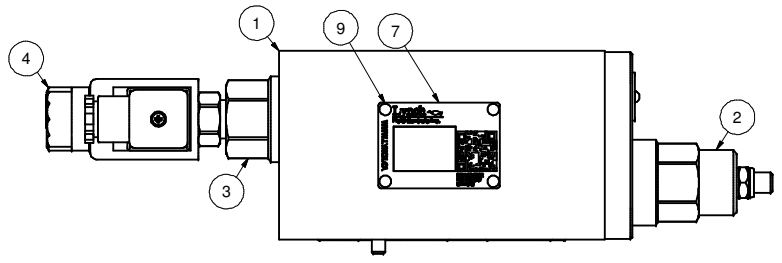
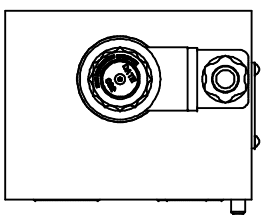
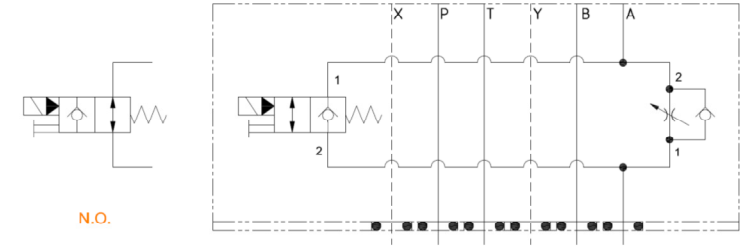
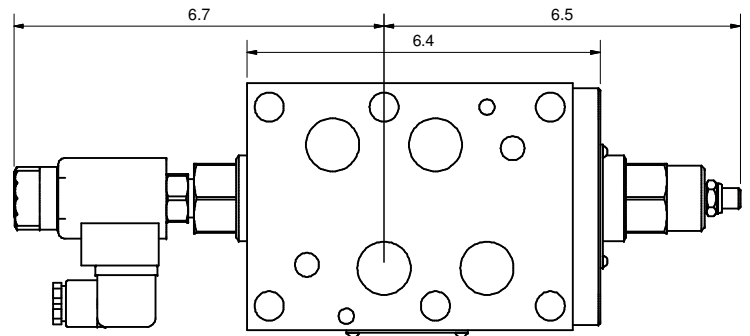
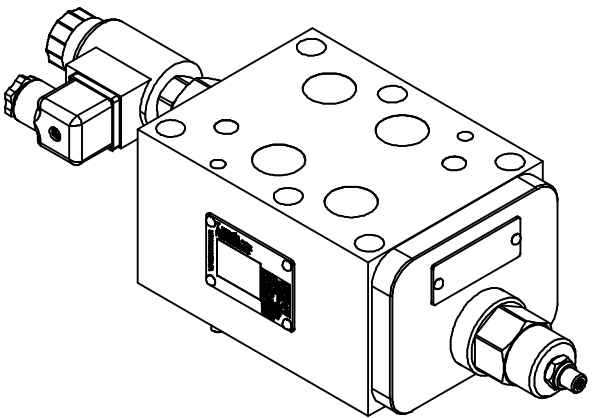


PROPRIETARY NOTICE
THIS DRAWING DESCRIBES A PROPRIETARY PRODUCT OF LYNCH FLUID CONTROLS INC. WHICH MAY NOT BE REPRODUCED IN WHOLE OR IN PART NOR GIVEN TO A THIRD PARTY WITHOUT WRITTEN PERMISSION FROM LYNCH FLUID CONTROLS INC.

DWG NO	RM_08G3A-D^C@\$\$#D	REV	-
MODEL CODE	RM_08G3A-D^C@\$\$#D		
TITLE	2 Speed D08 Sandwich Module M/O A Pilot Operated Poppet Needle w/ FF Check		

DATA UNIT:	INCH	3RD ANGLE PROJECTION
------------	------	----------------------

Bill of Material		DESCRIPTION
ITEM	QTY	
1	1	Manifold Body
2	1	[Flow Control] Fully adjustable needle valve with reverse flow check
3	1	[Main Stage] 2-way, poppet directional valve with integral T-8A control cavity - control 2-1
4	1	[Solenoid] 2-way, solenoid-operated directional spool valve - pilot capacity
5	1	Coil
6	1	Connector
7	1	Nameplate
8	1	Nameplate
9	6	Screws



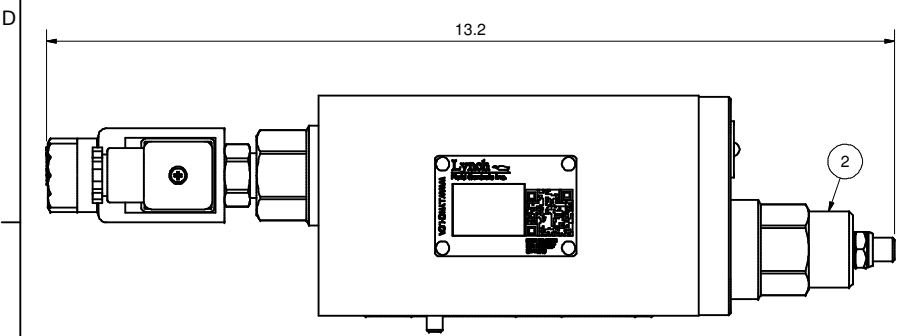
DWG NO RM_08G3A-D^C@\$\$#D



DWG NO	RM_08G3A-D^C@\$##D	REV	-
MODEL CODE	RM_08G3A-D^C@\$##D		
PROPRIETARY NOTICE THIS DRAWING DESCRIBES A PROPRIETARY PRODUCT OF LYNCH FLUID CONTROLS INC. WHICH MAY NOT BE REPRODUCED IN WHOLE OR IN PART NOR GIVEN TO A THIRD PARTY WITHOUT WRITTEN PERMISSION FROM LYNCH FLUID CONTROLS INC.		TITLE Technical Data & Non-Standard Options	
DATA UNIT: INCH	3RD ANGLE PROJECTION		

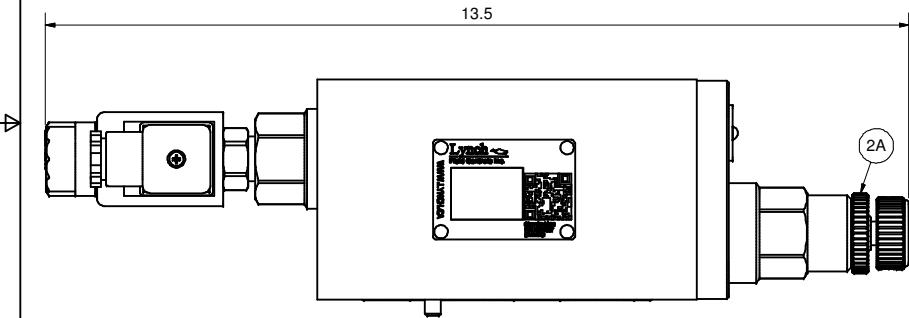
ITEM QTY		DESCRIPTION
2	1	[Flow Control] Fully adjustable needle valve with reverse flow check
2A	1	[Flow Control] Fully adjustable needle valve with reverse flow check [Hand-Knob]
2B	1	[Flow Control] Fully adjustable needle valve with reverse flow check [Calibrated Hand-Knob]

L - Standard Screw



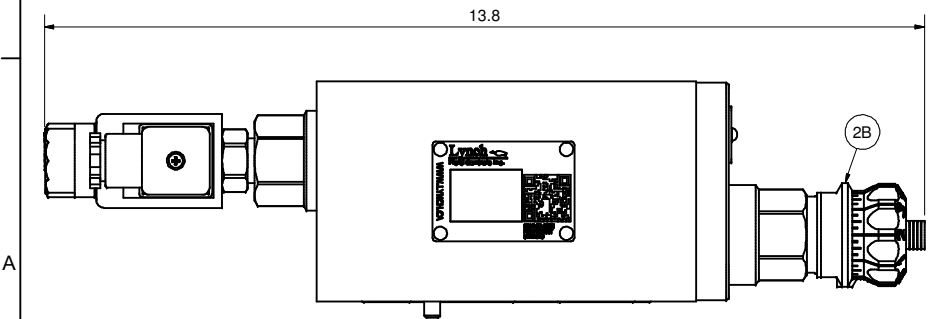
K - Hand-Knob

Non-Standard Option: Order Standard L control w/ 991 211 Kit

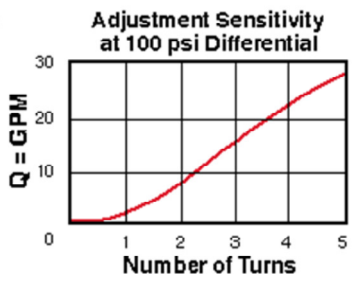
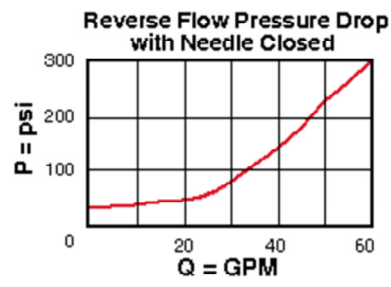


H - Calibrated Hand-Knob

Non-Standard Option



Flow Control



Main Stage

