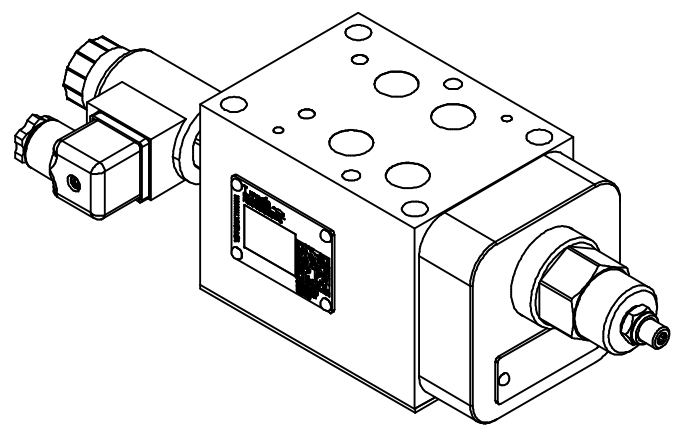
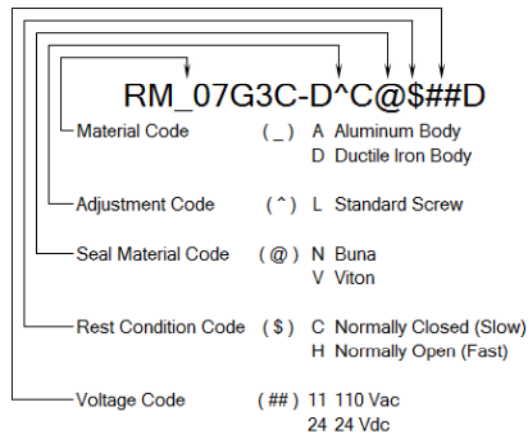


DWG NO RM\_07G3C-D^C@\$\$#D

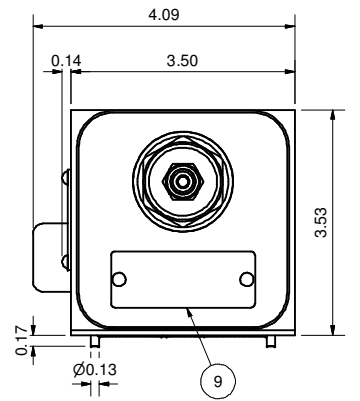
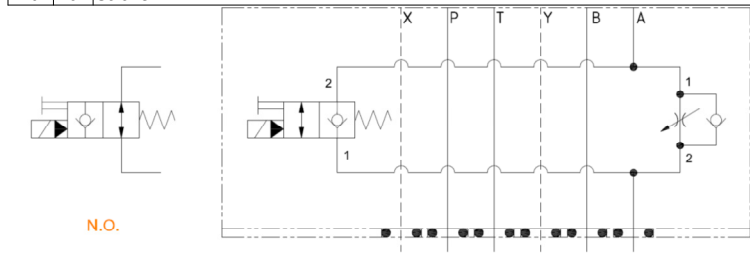
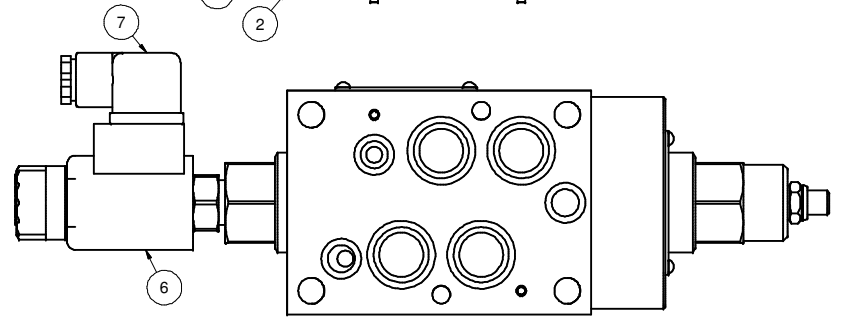
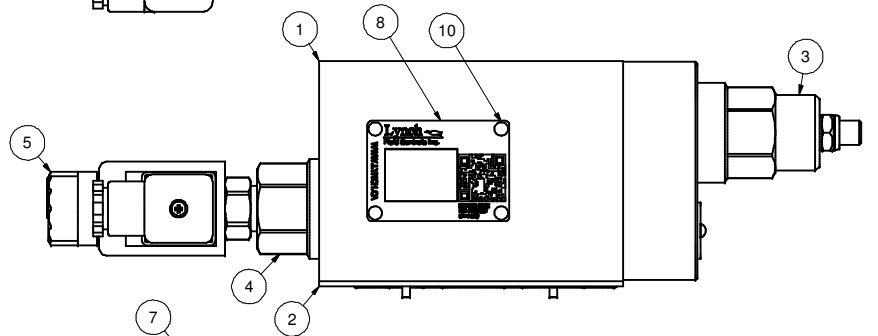
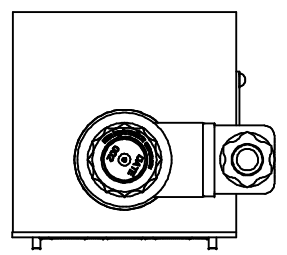
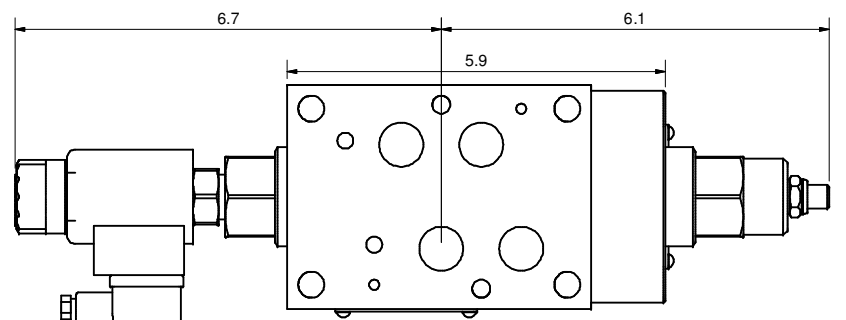


**MODEL CODE BREAKDOWN**

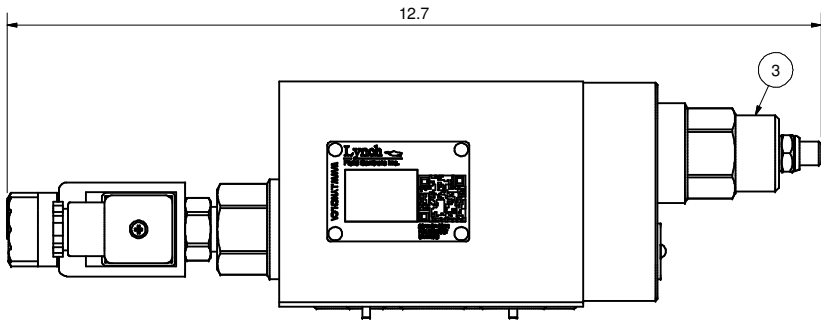


DWG NO	RM_07G3C-D^C@\$\$#D	REV	-
MODEL CODE	RM_07G3C-D^C@\$\$#D		
PROPRIETARY NOTICE	THIS DRAWING DESCRIBES A PROPRIETARY PRODUCT OF LYNCH FLUID CONTROLS INC. WHICH MAY NOT BE REPRODUCED IN WHOLE OR IN PART NOR GIVEN TO A THIRD PARTY WITHOUT WRITTEN PERMISSION FROM LYNCH FLUID CONTROLS INC.		
TITLE	2 Speed D07 Sandwich Module M/I A Pilot Operated Poppet Needle w/ FF Check		
DATA UNIT: INCH	3RD ANGLE PROJECTION		

ITEM QTY		DESCRIPTION
1	1	Manifold Body
2	1	Seal Plate
3	1	[Flow Control] Fully adjustable needle valve with reverse flow check
4	1	[Main Stage] 2-way, poppet directional valve with integral T-8A control cavity - control 2-1
5	1	[Solenoid] 2-way, solenoid-operated directional spool valve - pilot capacity
6	1	Coil
7	1	Connector
8	1	Nameplate
9	1	Nameplate
10	6	Screws

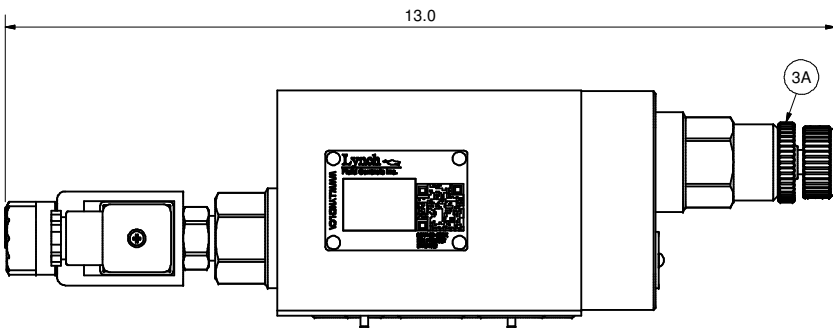


### L - Standard Screw



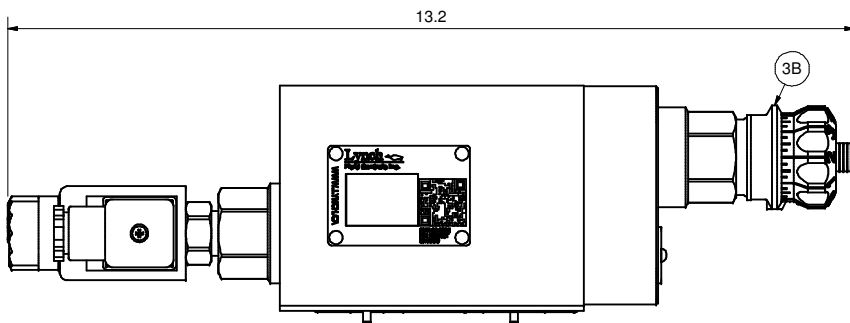
### K - Hand-Knob

Non-Standard Option: Order Standard L control w/ 991 211 Kit



### H - Calibrated Hand-Knob

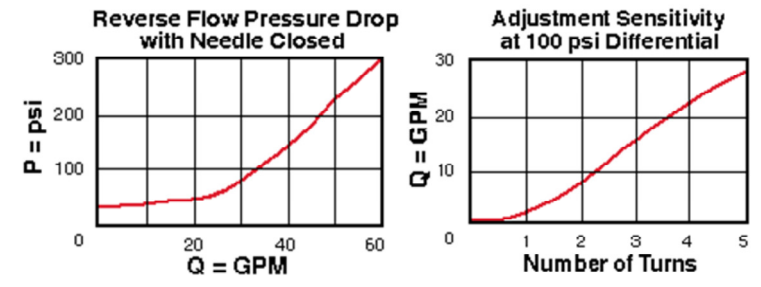
Non-Standard Option



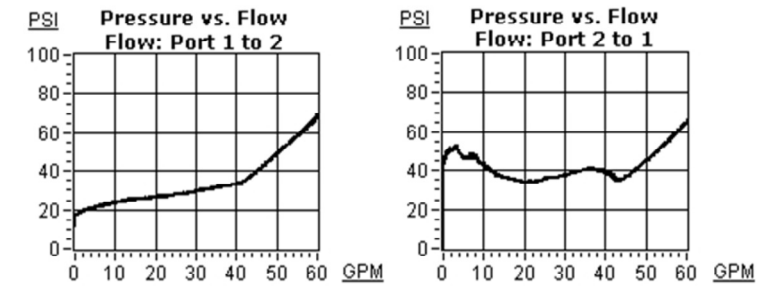
DWG NO	RM_07G3C-D^C@##D	REV	-
MODEL CODE	RM_07G3C-D^C@##D		
<b>PROPRIETARY NOTICE</b> THIS DRAWING DESCRIBES A PROPRIETARY PRODUCT OF LYNCH FLUID CONTROLS INC. WHICH MAY NOT BE REPRODUCED IN WHOLE OR IN PART NOR GIVEN TO A THIRD PARTY WITHOUT WRITTEN PERMISSION FROM LYNCH FLUID CONTROLS INC.		<b>TITLE</b> Technical Data & Non-Standard Options	
DATA UNIT:	INCH	3RD ANGLE PROJECTION	

Bill of Material	
ITEM	DESCRIPTION
3	1 [Flow Control] Fully adjustable needle valve with reverse flow check
3A	1 [Flow Control] Fully adjustable needle valve with reverse flow check [Hand-Knob]
3B	1 [Flow Control] Fully adjustable needle valve with reverse flow check [Calibrated Hand-Knob]

### Flow Control



### Main Stage



DWG NO RM\_07G3C-D^C@##D