

**MODEL CODE BREAKDOWN**

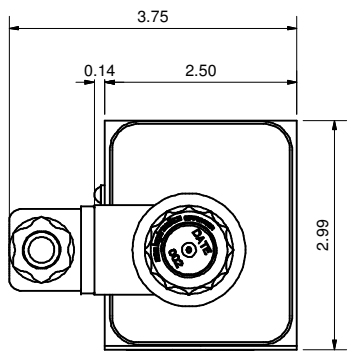
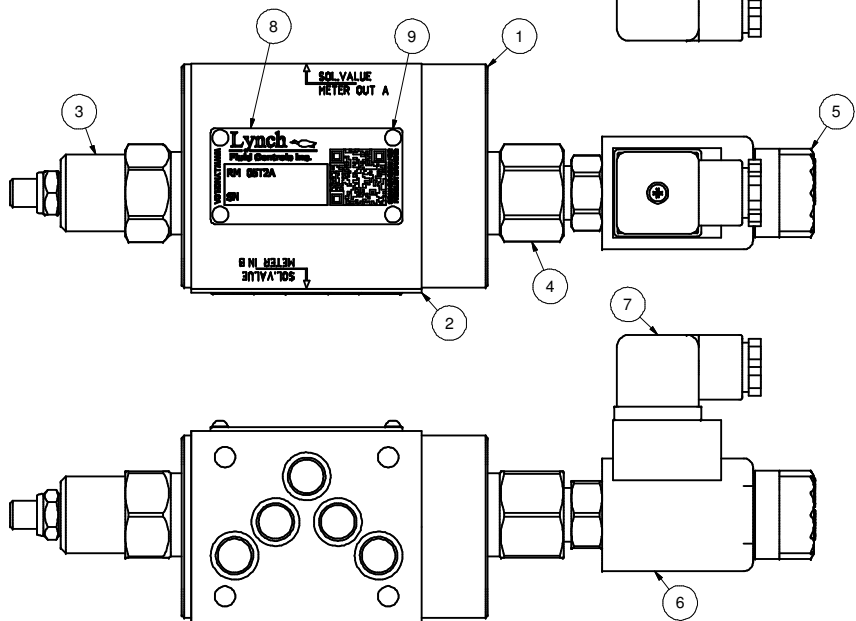
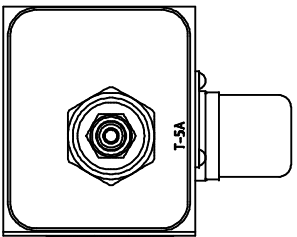
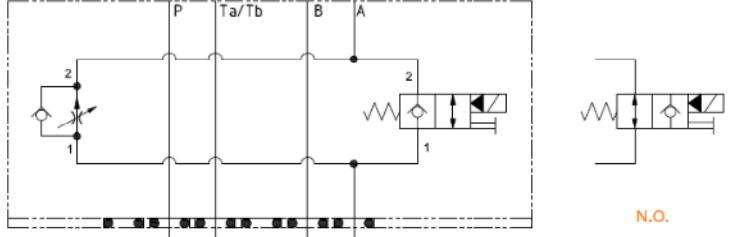
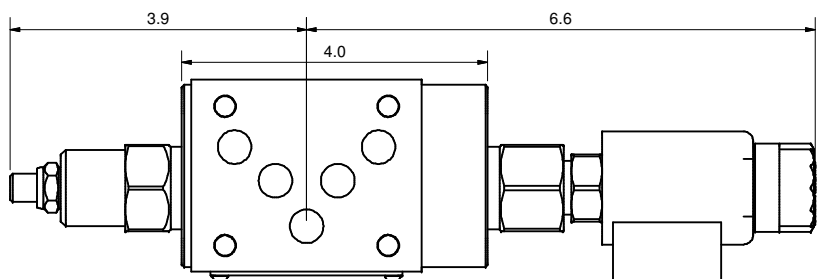
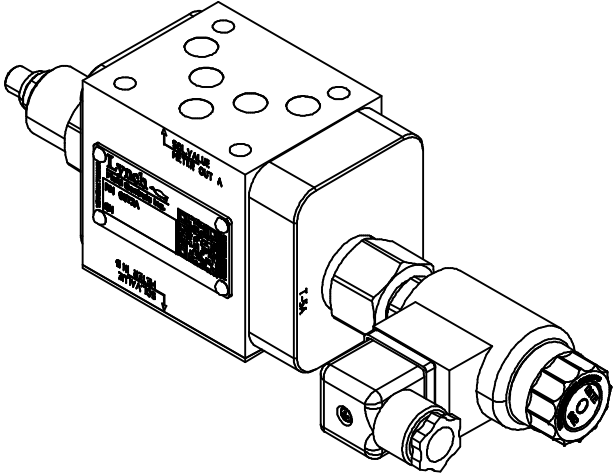
**RM\_05T2A-P^A@\$##D**

- Material Code ( ) A Aluminum Body  
D Ductile Iron Body
- Adjustment Code ( ^ ) L Standard Screw
- Seal Material Code ( @ ) N Buna  
V Viton
- Rest Condition Code ( \$ ) C Normally Closed (Slow)  
H Normally Open (Fast)
- Voltage Code ( ## ) 11 110 Vac  
24 24 Vdc



DWG NO	RM_05T2A-P^A@\$##D	REV	-
MODEL CODE	RM_05T2A-P^A@\$##D		
PROPRIETARY NOTICE THIS DRAWING DESCRIBES A PROPRIETARY PRODUCT OF LYNCH FLUID CONTROLS INC. WHICH MAY NOT BE REPRODUCED IN WHOLE OR IN PART NOR GIVEN TO A THIRD PARTY WITHOUT WRITTEN PERMISSION FROM LYNCH FLUID CONTROLS INC.		TITLE <b>2 Speed D05 Sandwich Module M/O A Pilot Operated Poppet PC Flow Control</b>	
DATA UNIT: INCH	3RD ANGLE PROJECTION		

ITEM QTY		DESCRIPTION
Bill of Material		
1	1	Manifold Body
2	1	Seal Plate
3	1	[Flow Control] Fully adjustable pressure compensated flow control valve with reverse flow check
4	1	[Main Stage] 2-way, poppet directional valve with integral T-8A control cavity - control 1-2
5	1	[Solenoid] 2-way, solenoid-operated directional spool valve - pilot capacity
6	1	Coil
7	1	Connector
8	1	Nameplate
9	4	Screws



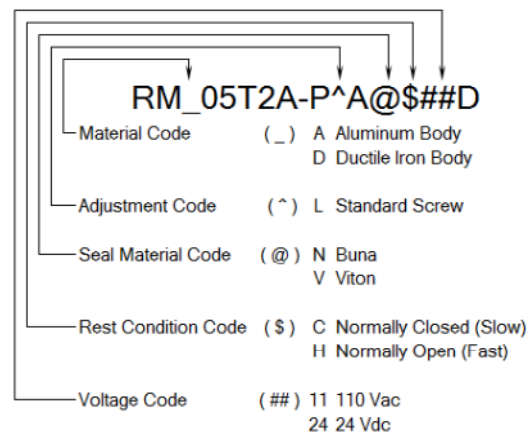
DWG NO RM\_05T2A-P^A@\$##D

DWG NO RM\_05T2A-P^A@\$\$#D

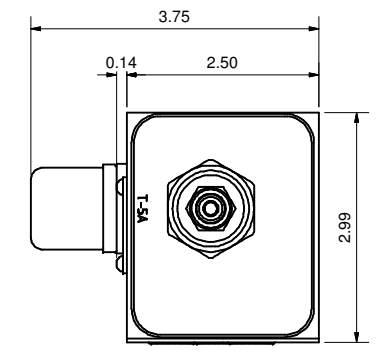
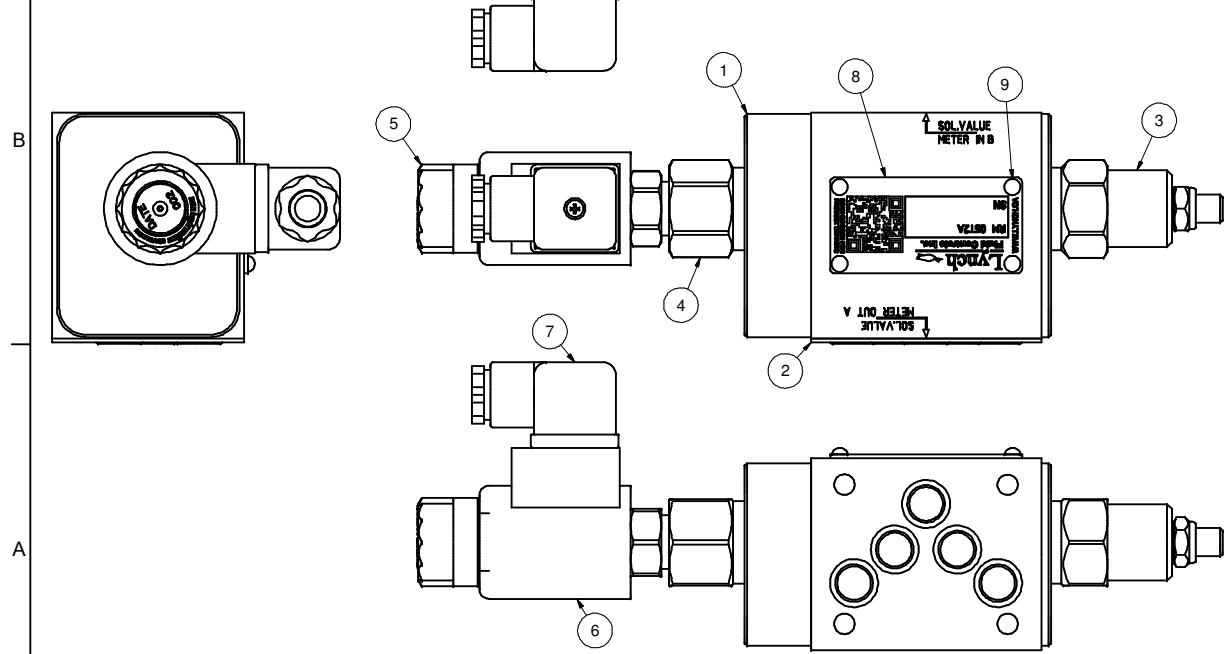
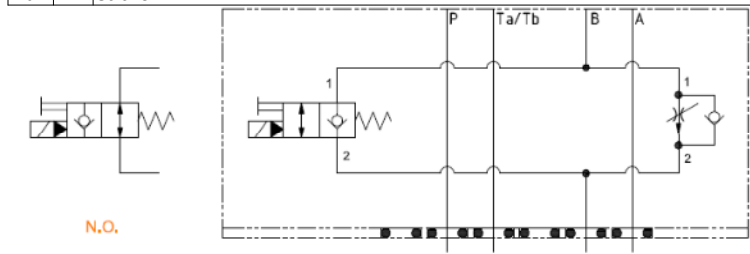
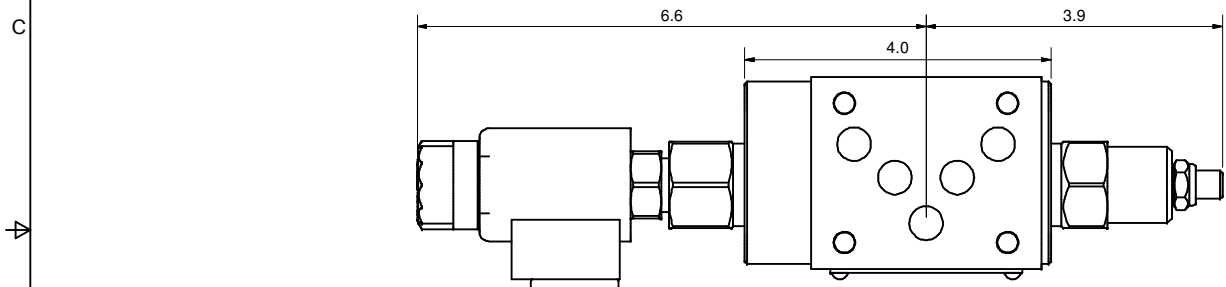
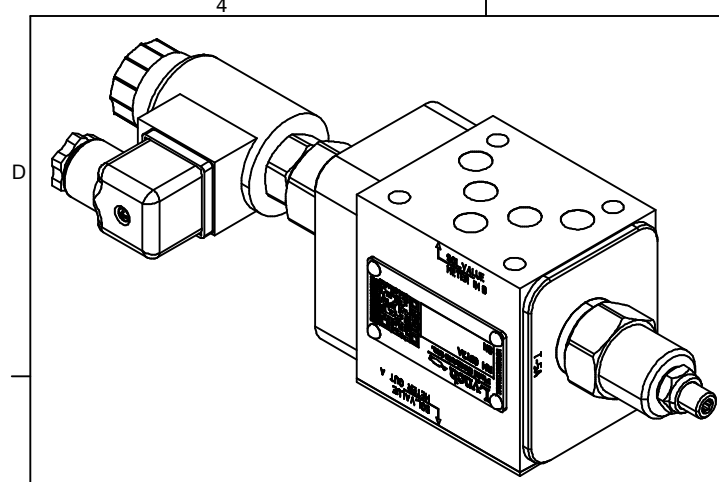


DWG NO	RM_05T2A-P^A@\$\$#D	REV	-
MODEL CODE	RM_05T2A-P^A@\$\$#D		
PROPRIETARY NOTICE	THIS DRAWING DESCRIBES A PROPRIETARY PRODUCT OF LYNCH FLUID CONTROLS INC. WHICH MAY NOT BE REPRODUCED IN WHOLE OR IN PART NOR GIVEN TO A THIRD PARTY WITHOUT WRITTEN PERMISSION FROM LYNCH FLUID CONTROLS INC.		
TITLE	2 Speed D05 Sandwich Module M/I B Pilot Operated Poppet PC Flow Control		
DATA UNIT: INCH	3RD ANGLE PROJECTION		

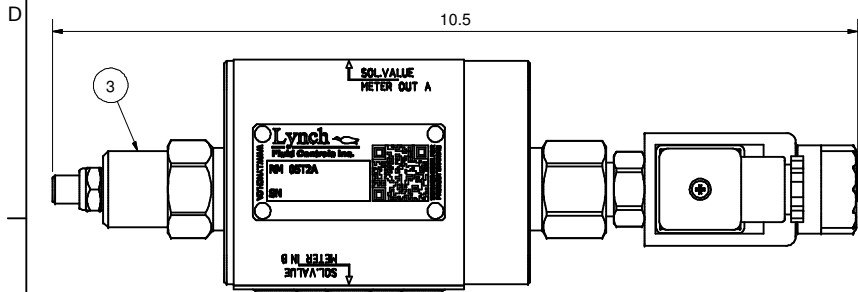
### MODEL CODE BREAKDOWN



ITEM QTY		DESCRIPTION
1	1	Manifold Body
2	1	Seal Plate
3	1	[Flow Control] Fully adjustable pressure compensated flow control valve with reverse flow check
4	1	[Main Stage] 2-way, poppet directional valve with integral T-8A control cavity - control 1-2
5	1	[Solenoid] 2-way, solenoid-operated directional spool valve - pilot capacity
6	1	Coil
7	1	Connector
8	1	Nameplate
9	4	Screws

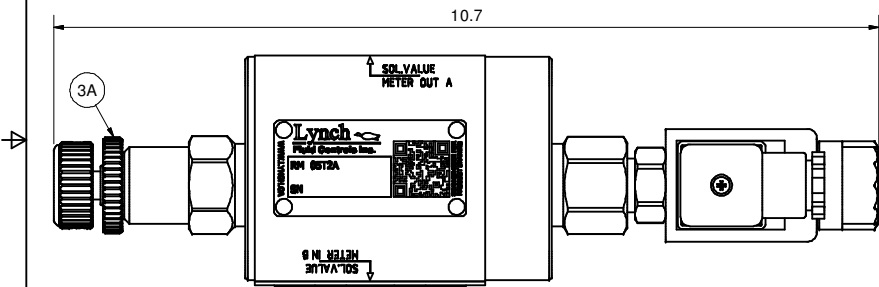


### L - Standard Screw



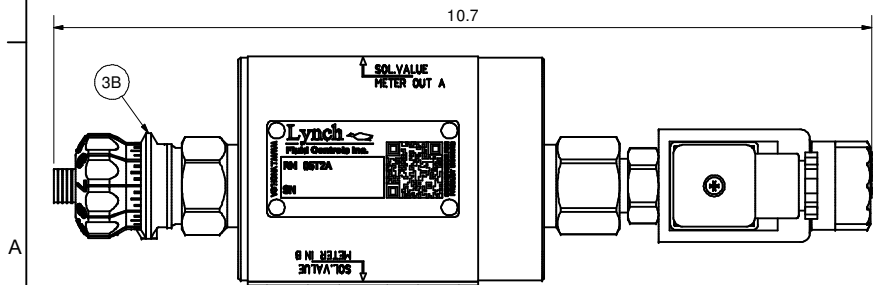
### K - Hand-Knob

Non-Standard Option: Order Standard L control w/ 991 211 Kit



### H - Calibrated Hand-Knob

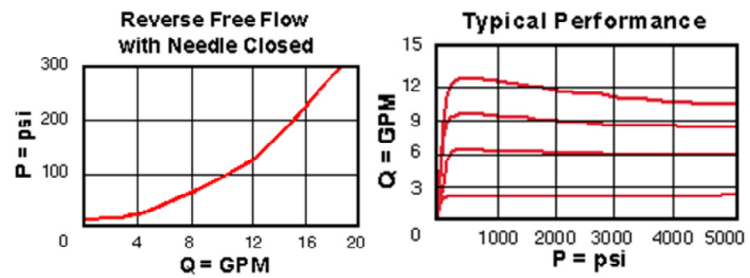
Non-Standard Option



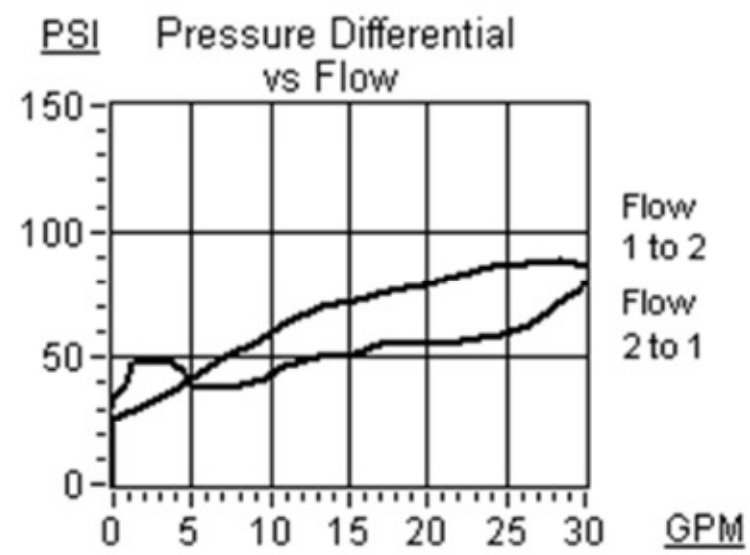
DWG NO	RM_05T2A-P^A@\$\$#D	REV	-
MODEL CODE	RM_05T2A-P^A@\$\$#D		
<b>PROPRIETARY NOTICE</b> THIS DRAWING DESCRIBES A PROPRIETARY PRODUCT OF LYNCH FLUID CONTROLS INC. WHICH MAY NOT BE REPRODUCED IN WHOLE OR IN PART NOR GIVEN TO A THIRD PARTY WITHOUT WRITTEN PERMISSION FROM LYNCH FLUID CONTROLS INC.		<b>TITLE</b> Technical Data & Non-Standard Options	
DATA UNIT: INCH	3RD ANGLE PROJECTION		

ITEM QTY		DESCRIPTION
3	1	[Flow Control] Fully adjustable pressure compensated flow control valve with reverse flow check
3A	1	[Flow Control] Fully adjustable pressure compensated flow control valve with reverse flow check [Hand-Knob]
3B	1	[Flow Control] Fully adjustable pressure compensated flow control valve with reverse flow check [Calibrated Hand-Knob]

### Flow Control



### Main Stage



DWG NO RM\_05T2A-P^A@\$\$#D

A

B

C

D