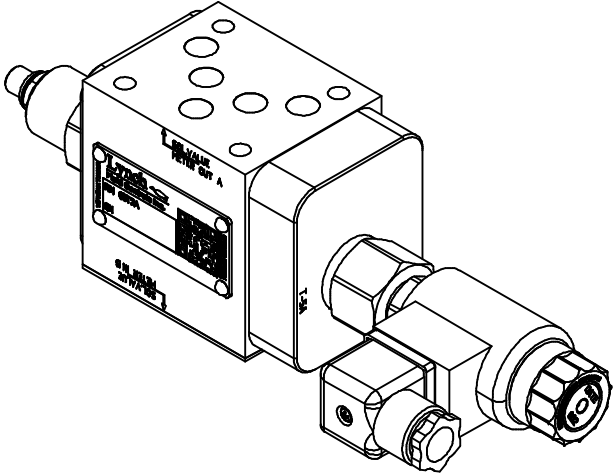
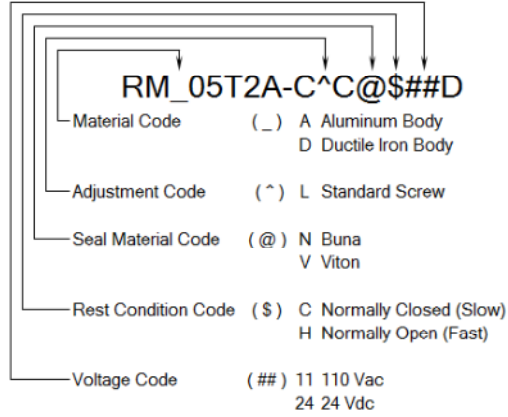


DWG NO. RM_05T2A-C^C@\$\$#D

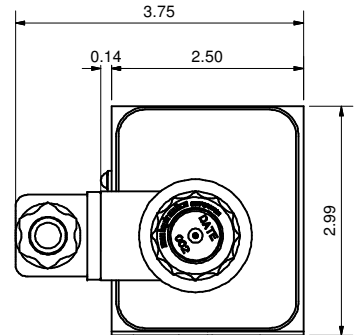
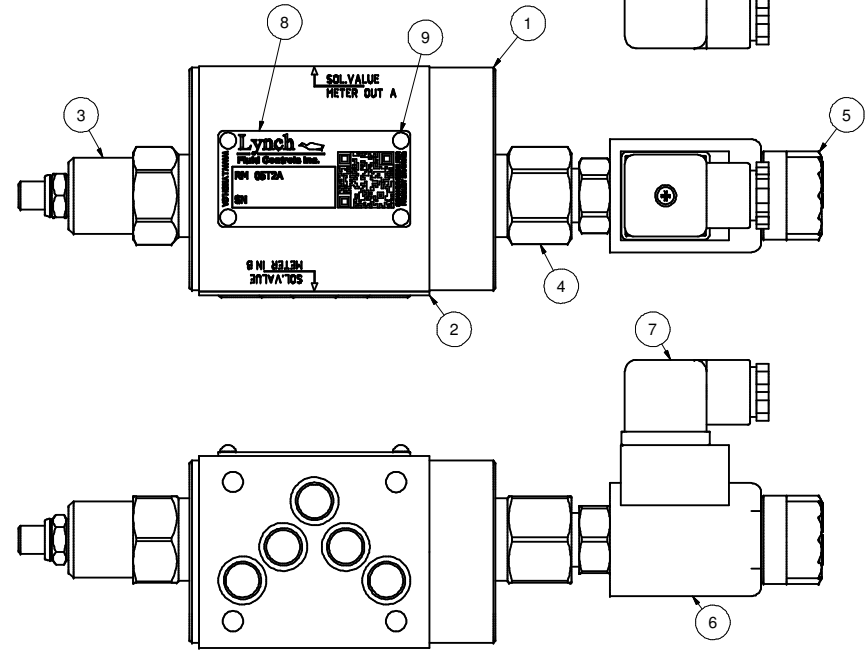
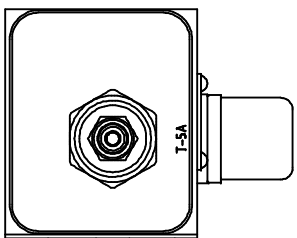
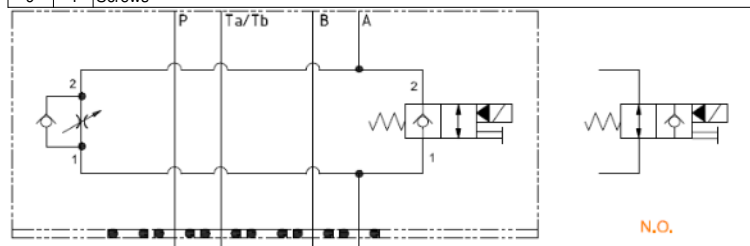
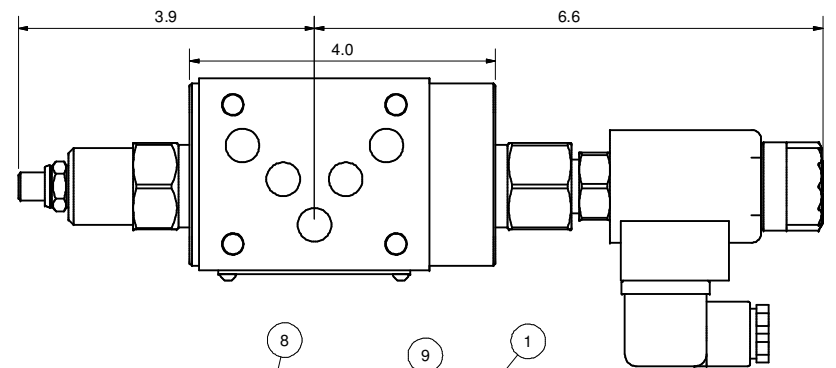


DWG NO	RM_05T2A-C^C@\$\$#D	REV	-
MODEL CODE	RM_05T2A-C^C@\$\$#D		
PROPRIETARY NOTICE	<small>THIS DRAWING DESCRIBES A PROPRIETARY PRODUCT OF LYNCH FLUID CONTROLS INC. WHICH MAY NOT BE REPRODUCED IN WHOLE OR IN PART NOR GIVEN TO A THIRD PARTY WITHOUT WRITTEN PERMISSION FROM LYNCH FLUID CONTROLS INC.</small>		
TITLE	2 Speed D05 Sandwich Module M/O A Pilot Operated Poppet Needle w/ FF Check		
DATA UNIT: INCH	3RD ANGLE PROJECTION		

MODEL CODE BREAKDOWN



ITEM QTY		DESCRIPTION
1	1	Manifold Body
2	1	Seal Plate
3	1	[Flow Control] Fully adjustable needle valve with reverse flow check
4	1	[Main Stage] 2-way, poppet directional valve with integral T-8A control cavity - control 1-2
5	1	[Solenoid] 2-way, solenoid-operated directional spool valve - pilot capacity
6	1	Coil
7	1	Connector
8	1	Nameplate
9	4	Screws



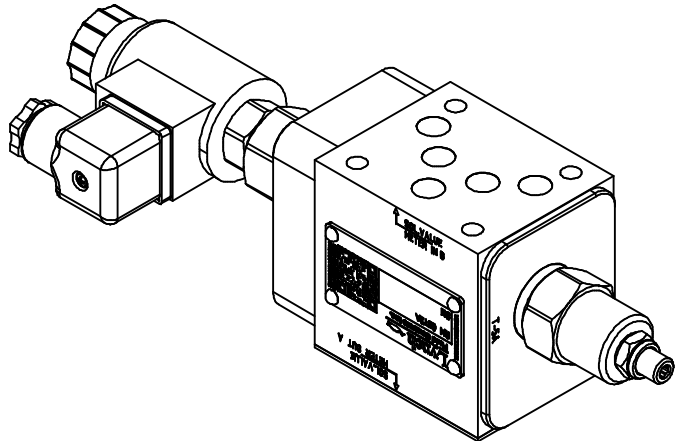
4

3

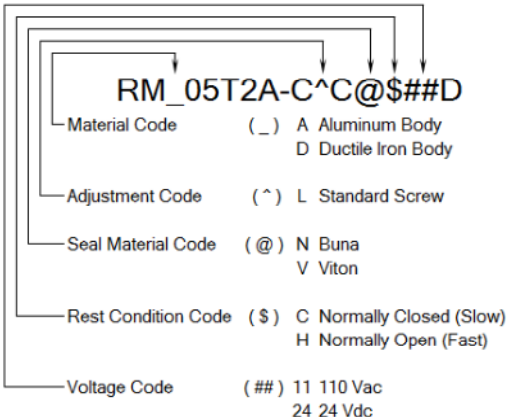
2

1

DWG NO RM_05T2A-C^C@\$\$#D

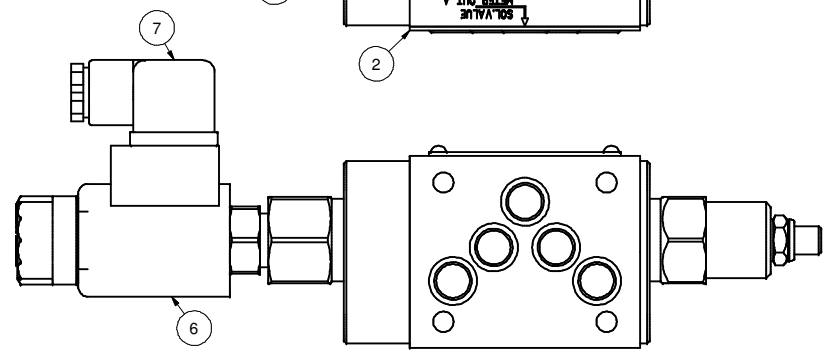
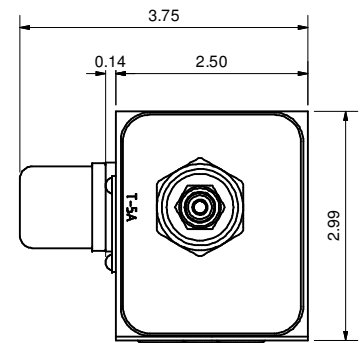
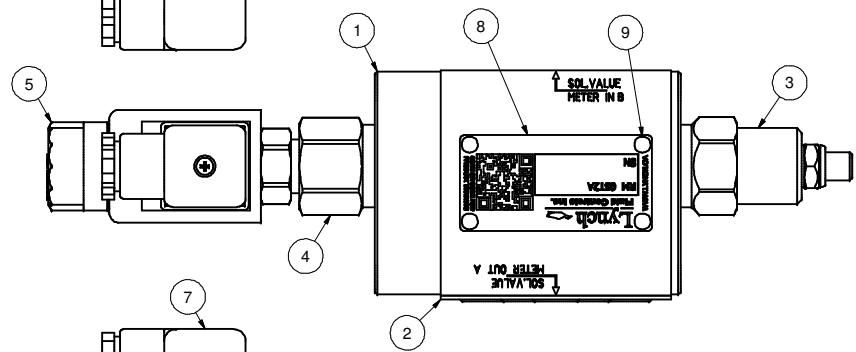
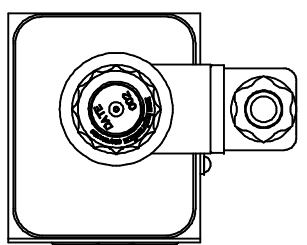
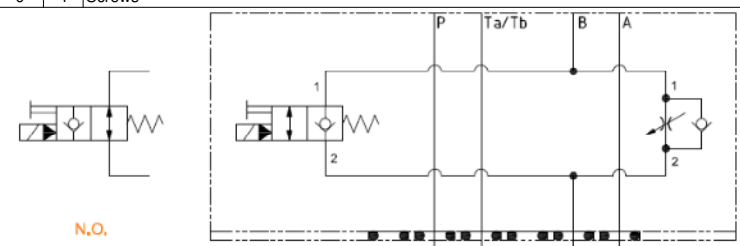
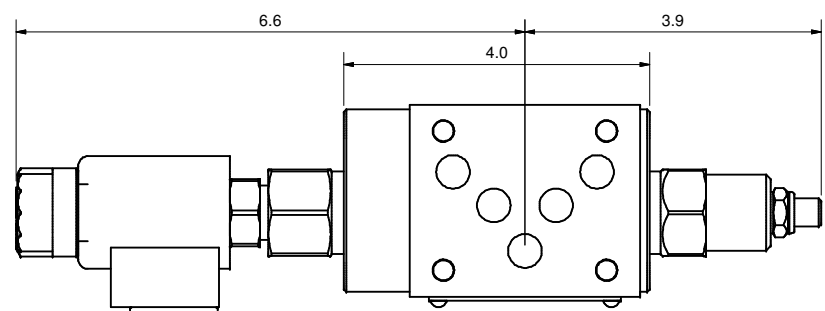


MODEL CODE BREAKDOWN



DWG NO	RM_05T2A-C^C@\$\$#D	REV	-
MODEL CODE	RM_05T2A-C^C@\$\$#D		
PROPRIETARY NOTICE	THIS DRAWING DESCRIBES A PROPRIETARY PRODUCT OF LYNCH FLUID CONTROLS INC. WHICH MAY NOT BE REPRODUCED IN WHOLE OR IN PART NOR GIVEN TO A THIRD PARTY WITHOUT WRITTEN PERMISSION FROM LYNCH FLUID CONTROLS INC.		
TITLE	2 Speed D05 Sandwich Module M/I B Pilot Operated Poppet Needle w/ FF Check		
DATA UNIT: INCH	3RD ANGLE PROJECTION		

ITEM QTY		DESCRIPTION
1	1	Manifold Body
2	1	Seal Plate
3	1	[Flow Control] Fully adjustable needle valve with reverse flow check
4	1	[Main Stage] 2-way, poppet directional valve with integral T-8A control cavity - control 1-2
5	1	[Solenoid] 2-way, solenoid-operated directional spool valve - pilot capacity
6	1	Coil
7	1	Connector
8	1	Nameplate
9	4	Screws



4

3

2

1

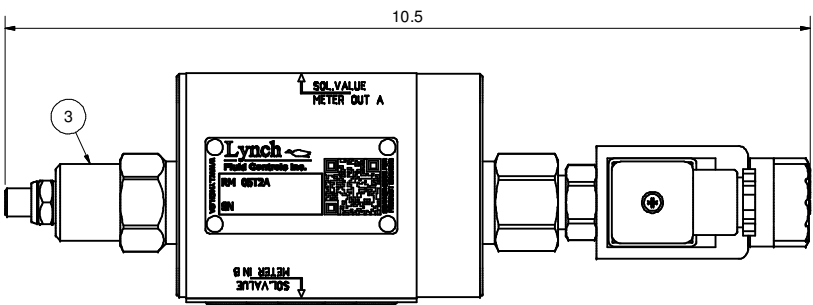
A

B

C

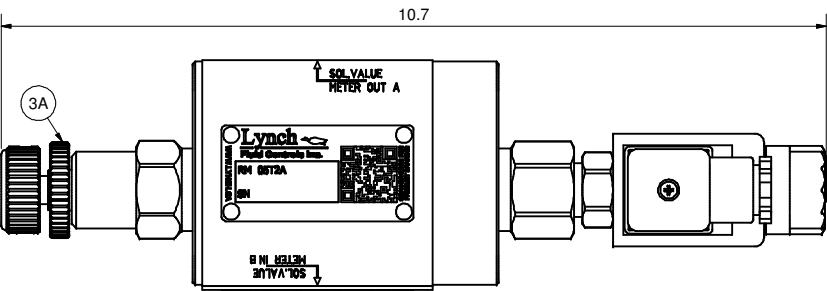
D

L - Standard Screw



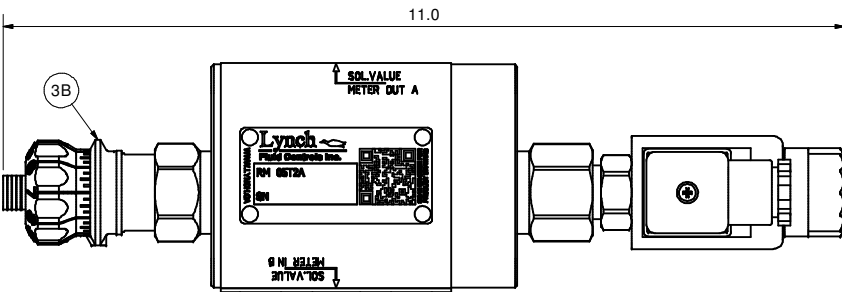
K - Hand-Knob

Non-Standard Option: Order Standard L control w/ 991 211 Kit



H - Calibrated Hand-Knob

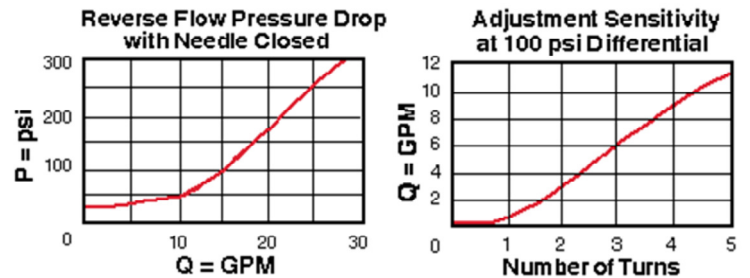
Non-Standard Option



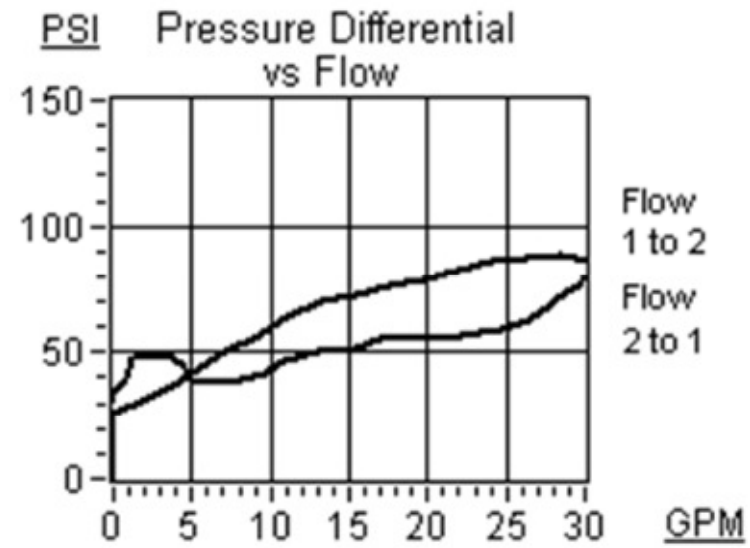
DWG NO	RM_05T2A-C^C@\$\$#D	REV	-
MODEL CODE	RM_05T2A-C^C@\$\$#D		
PROPRIETARY NOTICE THIS DRAWING DESCRIBES A PROPRIETARY PRODUCT OF LYNCH FLUID CONTROLS INC. WHICH MAY NOT BE REPRODUCED IN WHOLE OR IN PART NOR GIVEN TO A THIRD PARTY WITHOUT WRITTEN PERMISSION FROM LYNCH FLUID CONTROLS INC.		TITLE Technical Data & Non-Standard Options	
DATA UNIT: INCH	3RD ANGLE PROJECTION		

Bill of Material		
ITEM	QTY	DESCRIPTION
3	1	[Flow Control] Fully adjustable needle valve with reverse flow check
3A	1	[Flow Control] Fully adjustable needle valve with reverse flow check [Hand-Knob]
3B	1	[Flow Control] Fully adjustable needle valve with reverse flow check [Calibrated Hand-Knob]

Flow Control



Main Stage



DWG NO RM_05T2A-C^C@\$\$#D

C

A

B

A