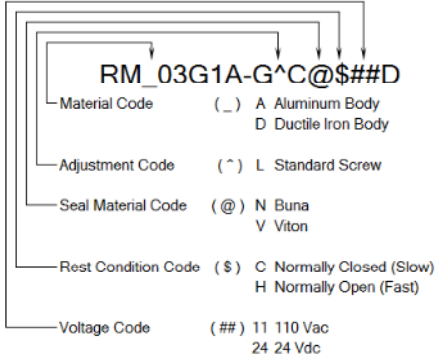


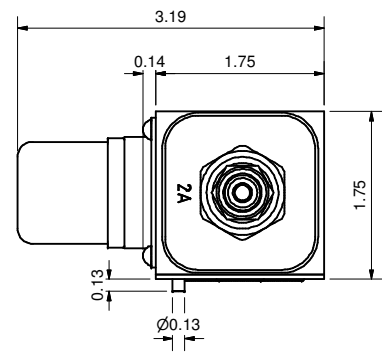
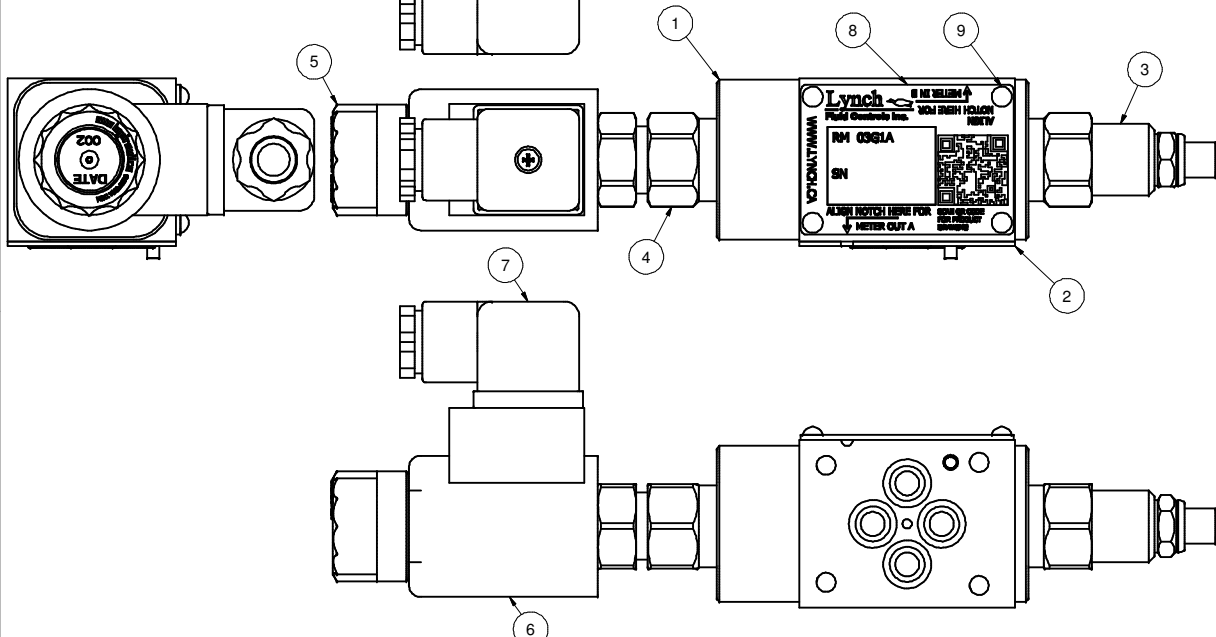
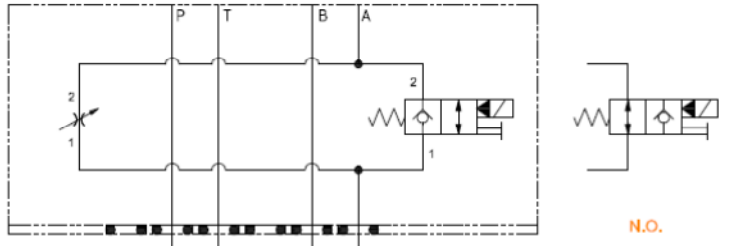
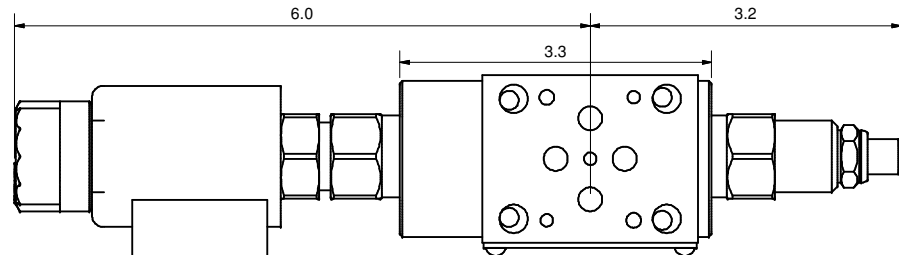
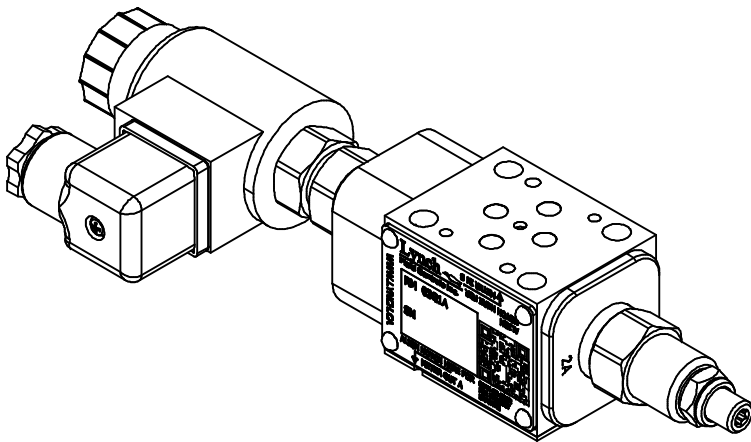


|                    |  |     |   |
|--------------------|--|-----|---|
| DWG NO             | RM_03G1A-G^C@\$\$#D  | REV | - |
| MODEL CODE         | RM_03G1A-G^C@\$\$#D  |     |   |
| PROPRIETARY NOTICE | THIS DRAWING DESCRIBES A PROPRIETARY PRODUCT OF LYNCH FLUID CONTROLS INC. WHICH MAY NOT BE REPRODUCED IN WHOLE OR IN PART NOR GIVEN TO A THIRD PARTY WITHOUT WRITTEN PERMISSION FROM LYNCH FLUID CONTROLS INC. |     |   |
| TITLE              | 2 Speed D03 Sandwich Module<br>M/O A<br>Pilot Operated Poppet<br>Needle  |     |   |
| DATA UNIT: INCH    | 3RD ANGLE PROJECTION   |     |   |

**MODEL CODE BREAKDOWN**



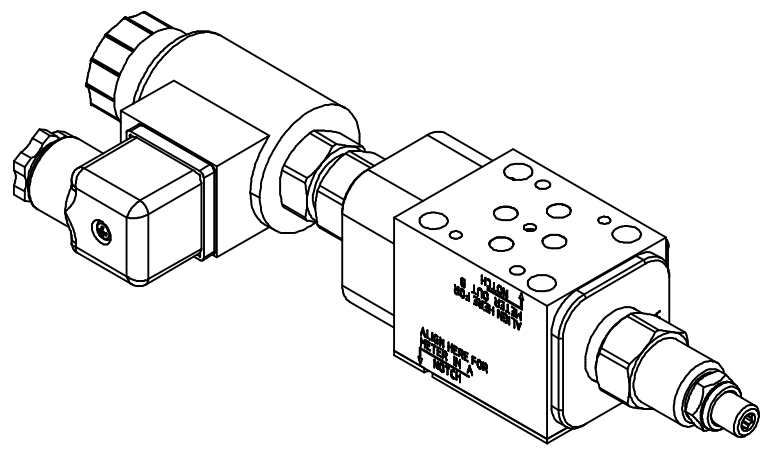
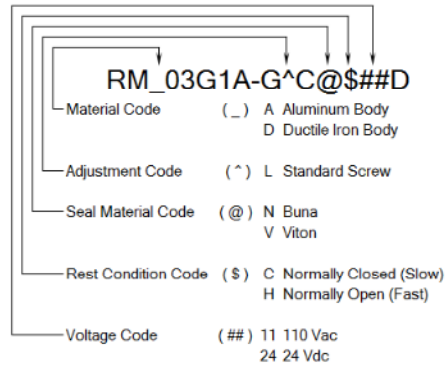
| Bill of Material |     |  |
|------------------|-----|--|
| ITEM             | QTY | DESCRIPTION  |
| 1                | 1   | Manifold Body  |
| 2                | 1   | Seal Plate   |
| 3                | 1   | [Flow Control] Fully adjustable needle valve   |
| 4                | 1   | [Main Stage] 2-way, poppet directional valve with integral T-8A control cavity - control 1-2 |
| 5                | 1   | [Solenoid] 2-way, solenoid-operated directional spool valve - pilot capacity                 |
| 6                | 1   | Coil   |
| 7                | 1   | Connector  |
| 8                | 1   | Nameplate  |
| 9                | 4   | Screws   |



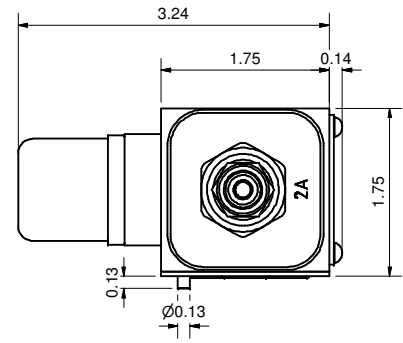
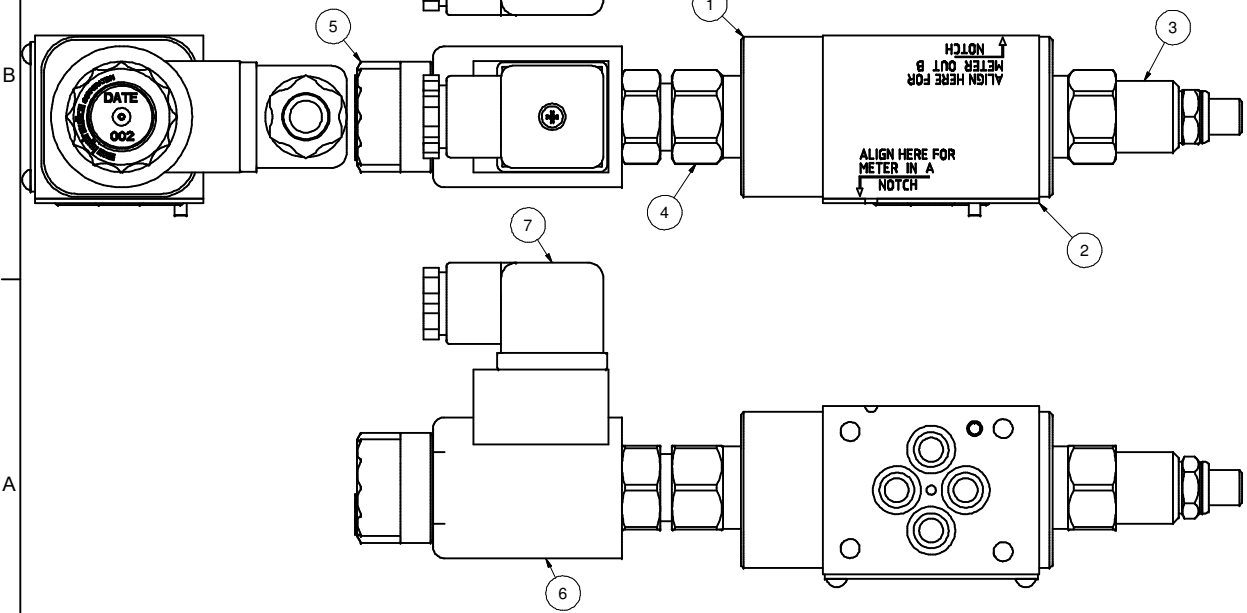
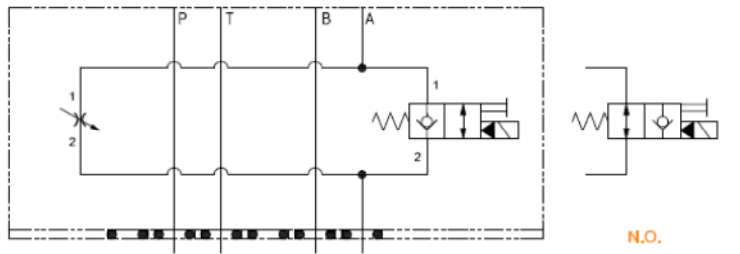
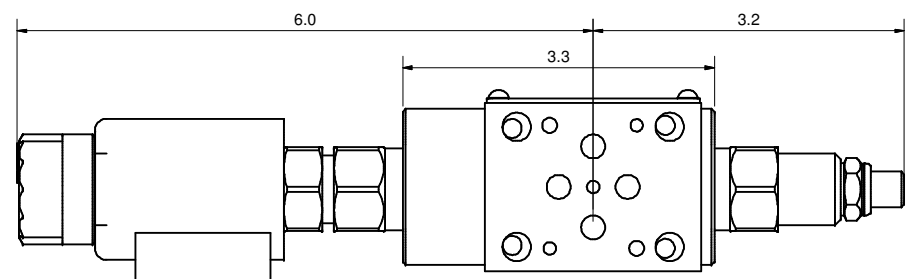


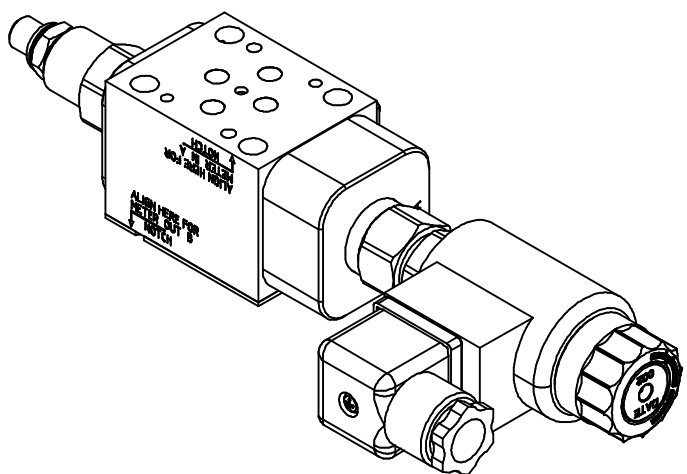
|                    |  |     |   |
|--------------------|--|-----|---|
| DWG NO             | RM_03G1A-G^C@\$\$#D  | REV | - |
| MODEL CODE         | RM_03G1A-G^C@\$\$#D  |     |   |
| PROPRIETARY NOTICE | THIS DRAWING DESCRIBES A PROPRIETARY PRODUCT OF LYNCH FLUID CONTROLS INC. WHICH MAY NOT BE REPRODUCED IN WHOLE OR IN PART NOR GIVEN TO A THIRD PARTY WITHOUT WRITTEN PERMISSION FROM LYNCH FLUID CONTROLS INC. |     |   |
| TITLE              | 2 Speed D03 Sandwich Module<br>M/I A<br>Pilot Operated Poppet Needle   |     |   |
| DATA UNIT: INCH    | 3RD ANGLE PROJECTION   |     |   |

**MODEL CODE BREAKDOWN**



| ITEM QTY |   | DESCRIPTION  |
|----------|---|--|
| 1        | 1 | Manifold Body  |
| 2        | 1 | Seal Plate   |
| 3        | 1 | [Flow Control] Fully adjustable needle valve   |
| 4        | 1 | [Main Stage] 2-way, poppet directional valve with integral T-8A control cavity - control 1-2 |
| 5        | 1 | [Solenoid] 2-way, solenoid-operated directional spool valve - pilot capacity                 |
| 6        | 1 | Coil   |
| 7        | 1 | Connector  |
| 8        | 1 | Nameplate  |
| 9        | 4 | Screws   |





### MODEL CODE BREAKDOWN

**RM\_03G1A-G^C@\$\$#D**

- Material Code ( ) A Aluminum Body  
D Ductile Iron Body
- Adjustment Code ( ^ ) L Standard Screw
- Seal Material Code ( @ ) N Buna  
V Viton
- Rest Condition Code ( \$ ) C Normally Closed (Slow)  
H Normally Open (Fast)
- Voltage Code ( ## ) 11 110 Vac  
24 24 Vdc

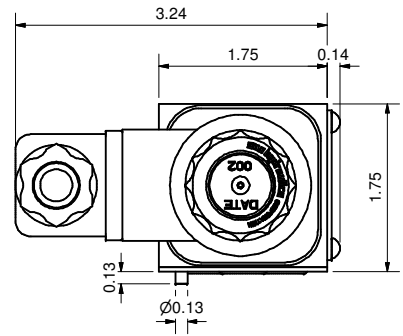
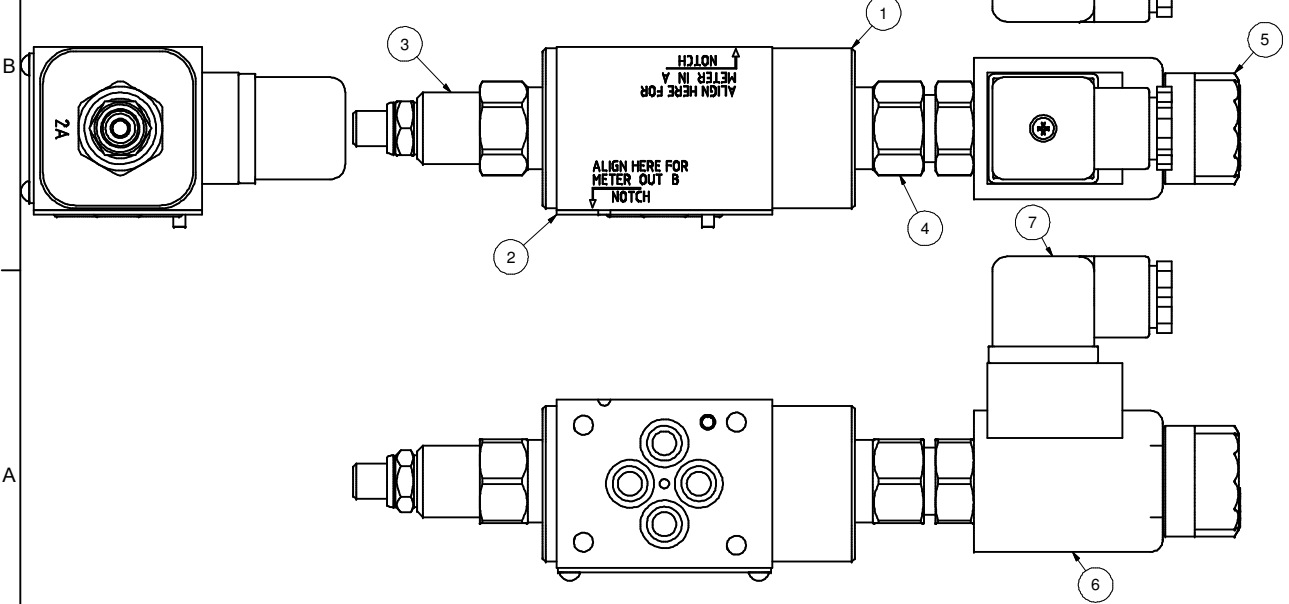
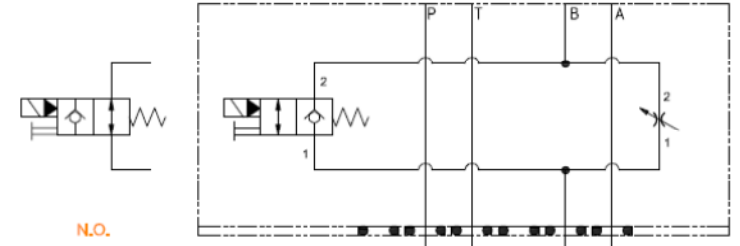
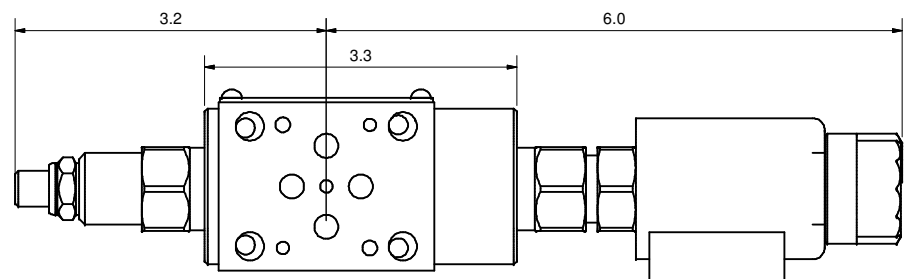


**PROPRIETARY NOTICE**  
THIS DRAWING DESCRIBES A PROPRIETARY PRODUCT OF LYNCH FLUID CONTROLS INC. WHICH MAY NOT BE REPRODUCED IN WHOLE OR IN PART NOR GIVEN TO A THIRD PARTY WITHOUT WRITTEN PERMISSION FROM LYNCH FLUID CONTROLS INC.

|            |   |     |   |
|------------|---|-----|---|
| DWG NO     | RM_03G1A-G^C@\$\$#D   | REV | - |
| MODEL CODE | RM_03G1A-G^C@\$\$#D   |     |   |
| TITLE      | 2 Speed D03 Sandwich Module<br>M/O B<br>Pilot Operated Poppet<br>Needle |     |   |

|            |      |                      |
|------------|------|----------------------|
| DATA UNIT: | INCH | 3RD ANGLE PROJECTION |
|------------|------|----------------------|

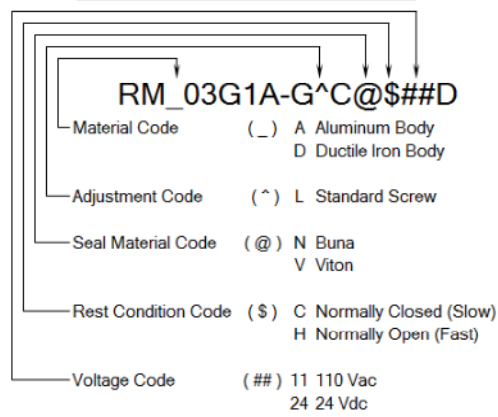
| ITEM QTY |   | DESCRIPTION  |
|----------|---|--|
| 1        | 1 | Manifold Body  |
| 2        | 1 | Seal Plate   |
| 3        | 1 | [Flow Control] Fully adjustable needle valve   |
| 4        | 1 | [Main Stage] 2-way, poppet directional valve with integral T-8A control cavity - control 1-2 |
| 5        | 1 | [Solenoid] 2-way, solenoid-operated directional spool valve - pilot capacity                 |
| 6        | 1 | Coil   |
| 7        | 1 | Connector  |
| 8        | 1 | Nameplate  |
| 9        | 4 | Screws   |



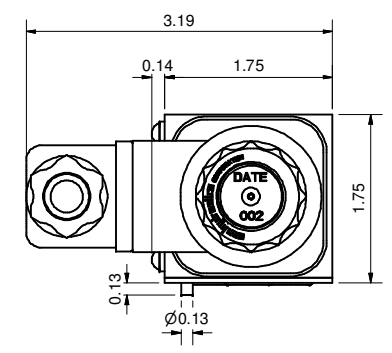
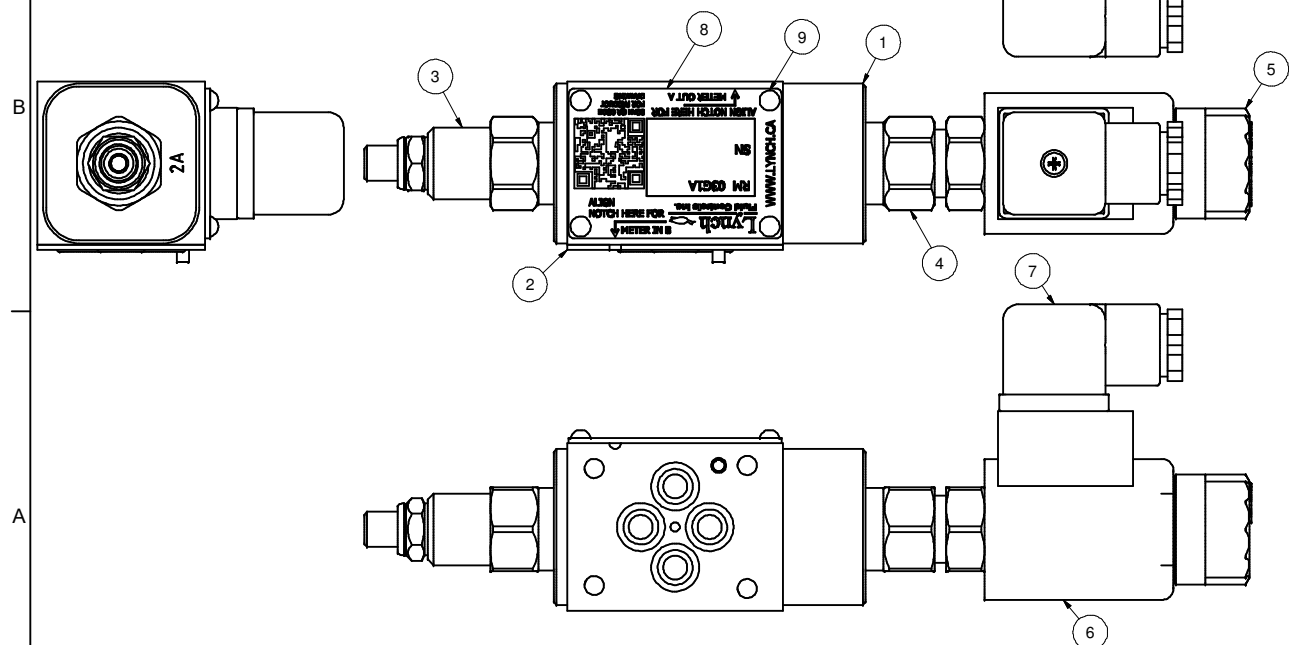
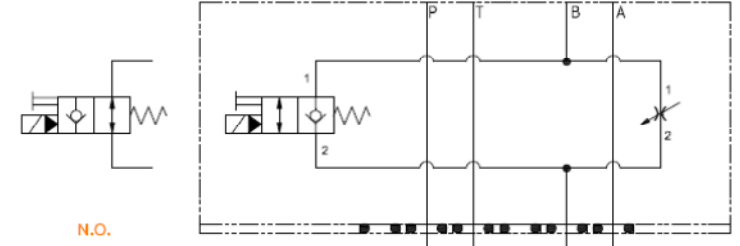
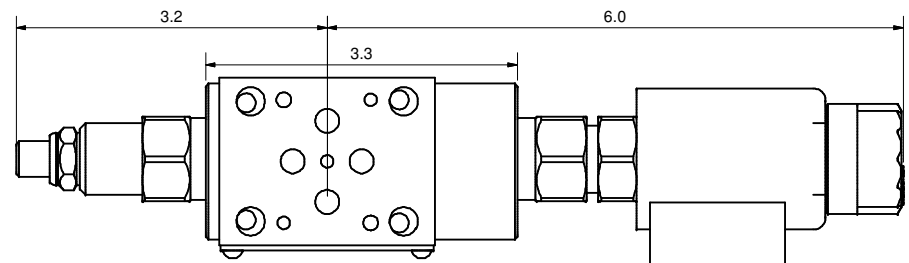
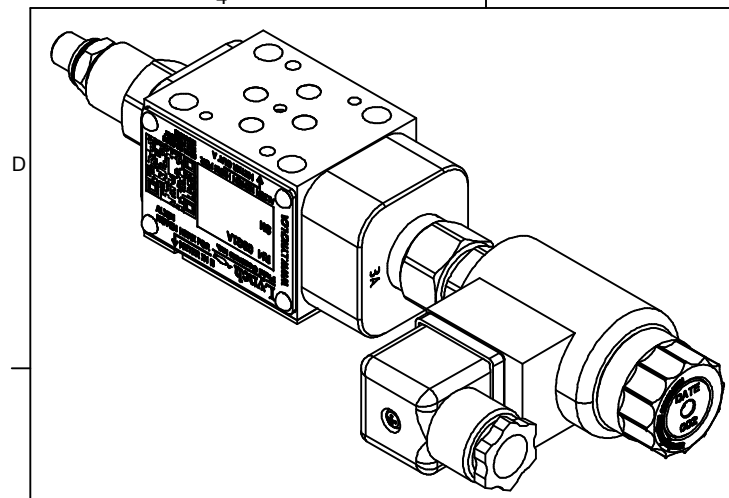


|                    |   |                      |   |
|--------------------|---|----------------------|---|
| DWG NO             | RM_03G1A-G^C@\$\$#D   | REV                  | - |
| MODEL CODE         | RM_03G1A-G^C@\$\$#D   |                      |   |
| PROPRIETARY NOTICE | <small>THIS DRAWING DESCRIBES A PROPRIETARY PRODUCT OF LYNCH FLUID CONTROLS INC. WHICH MAY NOT BE REPRODUCED IN WHOLE OR IN PART NOR GIVEN TO A THIRD PARTY WITHOUT WRITTEN PERMISSION FROM LYNCH FLUID CONTROLS INC.</small> |                      |   |
| TITLE              | 2 Speed D03 Sandwich Module<br>M/I B<br>Pilot Operated Poppet Needle  |                      |   |
| DATA UNIT:         | INCH  | 3RD ANGLE PROJECTION |   |

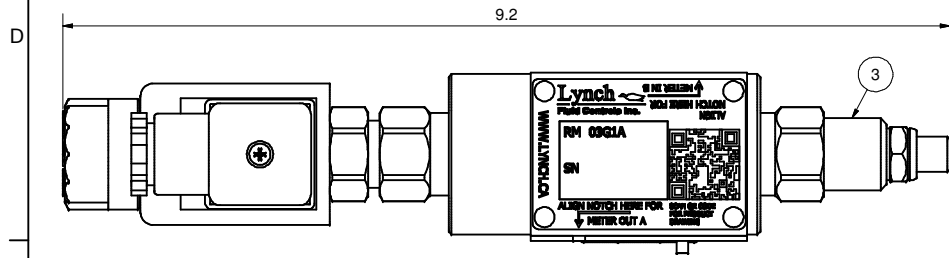
**MODEL CODE BREAKDOWN**



| ITEM QTY |   | DESCRIPTION  |
|----------|---|--|
| 1        | 1 | Manifold Body  |
| 2        | 1 | Seal Plate   |
| 3        | 1 | [Flow Control] Fully adjustable needle valve   |
| 4        | 1 | [Main Stage] 2-way, poppet directional valve with integral T-8A control cavity - control 1-2 |
| 5        | 1 | [Solenoid] 2-way, solenoid-operated directional spool valve - pilot capacity                 |
| 6        | 1 | Coil   |
| 7        | 1 | Connector  |
| 8        | 1 | Nameplate  |
| 9        | 4 | Screws   |

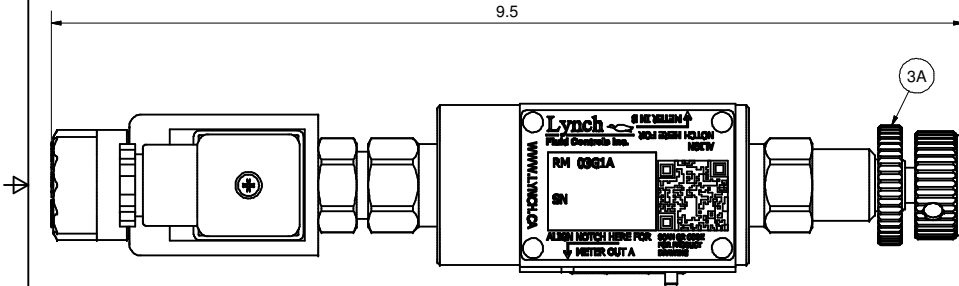


### L - Standard Screw



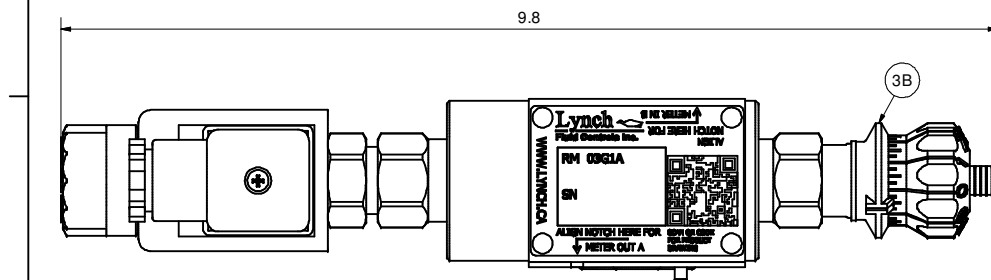
### K - Hand-Knob

Non-Standard Option: Order Standard L control w/ 991 211 Kit



### H - Calibrated Hand-Knob

Non-Standard Option

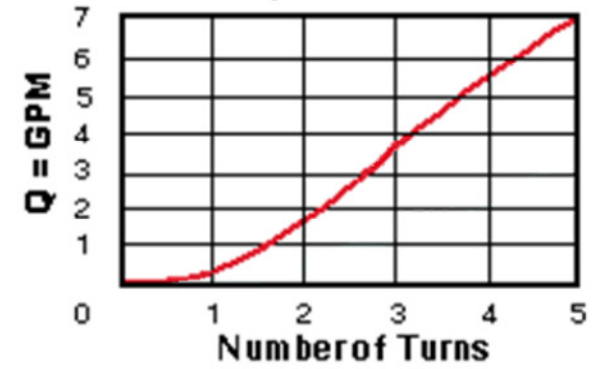


|   |                      |   |   |
|---|----------------------|---|---|
| DWG NO  | RM_03G1A-G^C@\$\$#D  | REV   | - |
| MODEL CODE  | RM_03G1A-G^C@\$\$#D  |   |   |
| <b>PROPRIETARY NOTICE</b><br>THIS DRAWING DESCRIBES A PROPRIETARY PRODUCT OF LYNCH FLUID CONTROLS INC. WHICH MAY NOT BE REPRODUCED IN WHOLE OR IN PART NOR GIVEN TO A THIRD PARTY WITHOUT WRITTEN PERMISSION FROM LYNCH FLUID CONTROLS INC. |                      | <b>TITLE</b><br>Technical Data & Non-Standard Options |   |
| DATA UNIT: INCH   | 3RD ANGLE PROJECTION |   |   |

| Bill of Material |     |  |
|------------------|-----|--|
| ITEM             | QTY | DESCRIPTION                                  |
| 3                | 1   | [Flow Control] Fully adjustable needle valve |
| 3A               | 1   | [Flow Control] Fully adjustable needle valve |
| 3B               | 1   | [Flow Control] Fully adjustable needle valve |

### Flow Control

#### Adjustment Sensitivity at 100 psi Differential



### Main Stage

#### PSI Pressure Differential vs Flow

